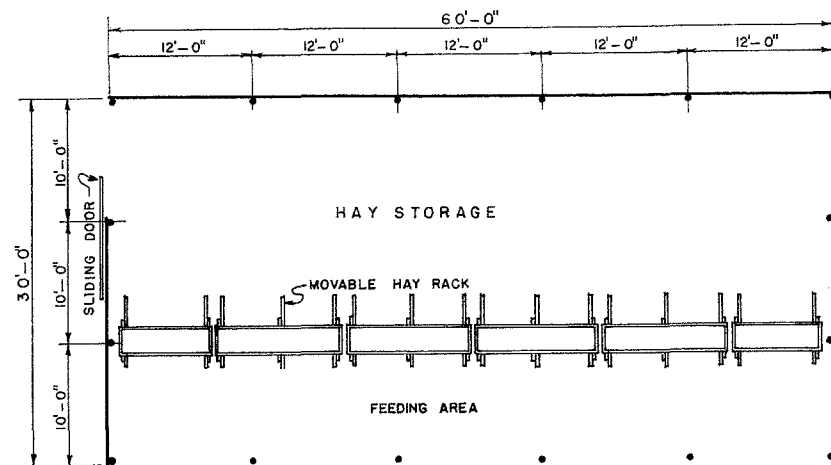
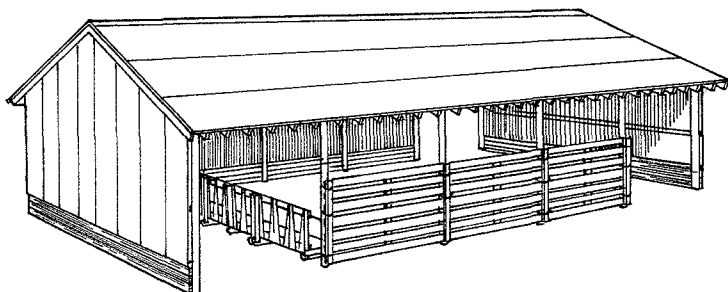


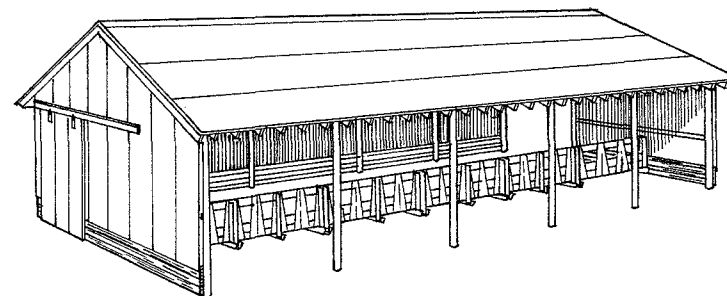
**PLAN NO. 1**  
SCALE 1/8" = 1'-0"



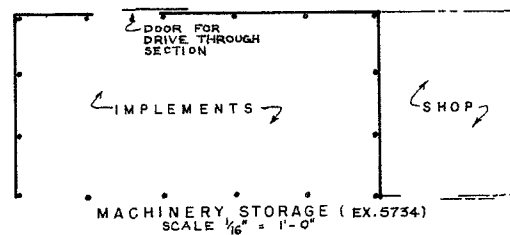
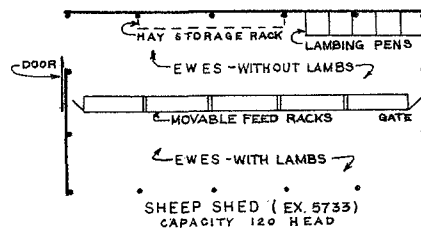
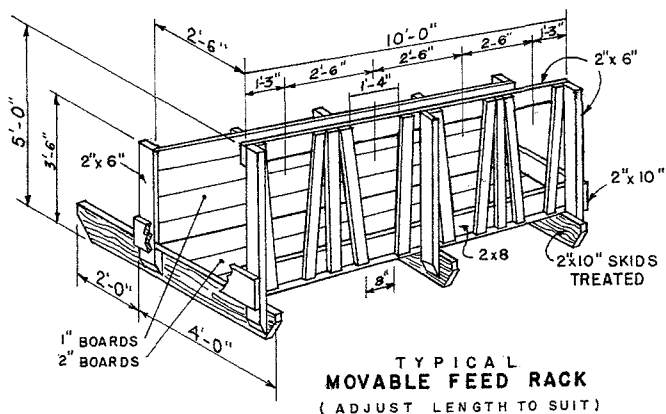
**PLAN NO. 2**  
SCALE 1/8" = 1'-0"



**PERSPECTIVE VIEW OF PLAN NO. 1**



**PERSPECTIVE VIEW OF PLAN NO. 2**



**NOTE**

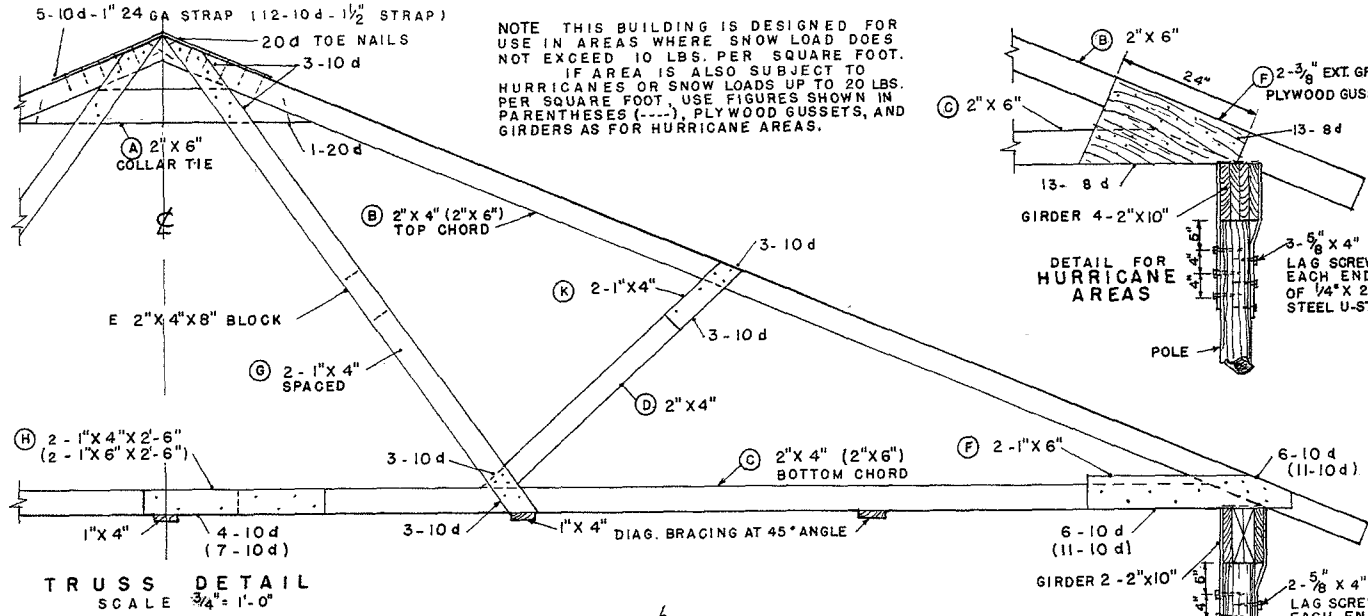
1. CAPACITY 24 TO 32 HEAD
2. LENGTH OF BUILDING MAY BE VARIED IN FT. UNITS.
3. USE OF THE BUILDING AS SHEEP OR MACHINERY SHELTER IS ILLUSTRATED BY SMALL PLANS AT LEFT. COMPLETE PLANS FOR EITHER OF THESE TYPES OF BUILDINGS MAY BE OBTAINED - WHEN ORDERING USE THE PLAN NUMBER INDICATED

BASED ON VIRGINIA PLAN NO. K125

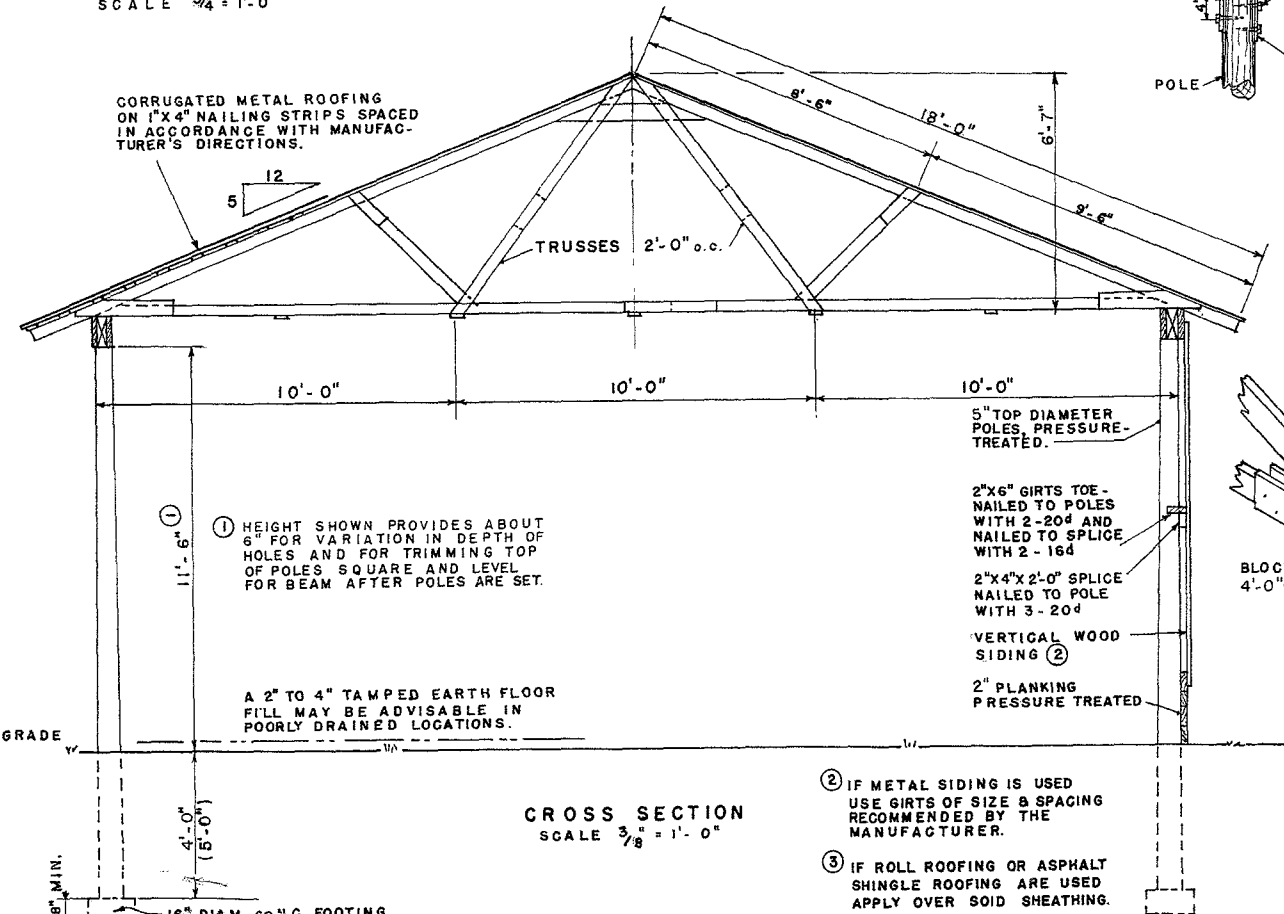


**MULTI PURPOSE POLE BUILDING  
CATTLE & HAY BARN**

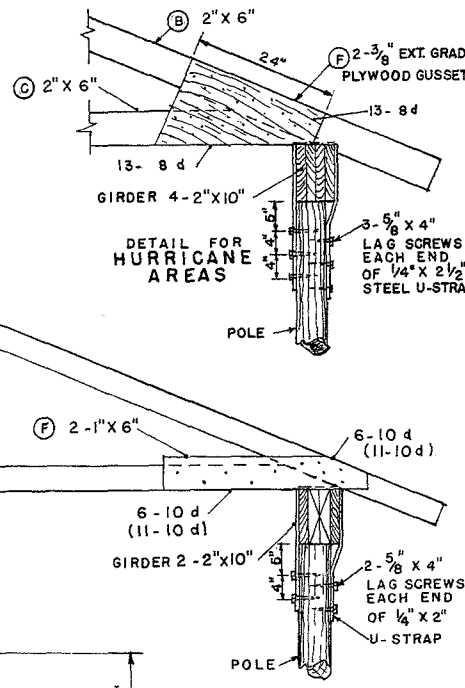
ENGINEER	SCALE AS SHOWN
DRAWN BY	SHEET 1 OF 2
TRACED BY JEP	DATE 6-15-67 NO. 5794



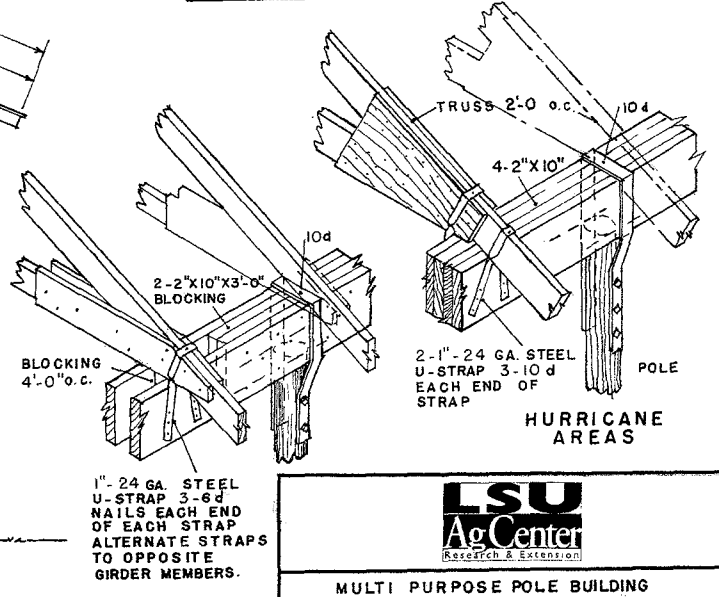
**TRUSS DETAIL**  
SCALE 3/4" = 1'-0"



**CROSS SECTION**  
SCALE 3/8" = 1'-0"



**DETAIL FOR HURRICANE AREAS**



**NORMAL AREAS**

LIST OF MATERIALS					
THIS LIST OF MATERIALS IS PREPARED FOR ESTIMATING PURPOSES, IF USED FOR THE PURCHASE OF MATERIALS, THE QUANTITIES SHOULD BE VERIFIED BY THE BUILDER.					
ITEM	NORMAL AREAS	HURRICANE AREAS	ITEM	HURRICANE AREAS	
TRUSSES (TOTAL 31)	SIZE	PCS.	TRUSSES (TOTAL 31)	SIZE	PCS.
(A) COLLAR TIE	2" X 6" X 14'-0"	8	(A) COLLAR TIE	2" X 6" X 12'-0"	8
(B) TOP CHORD	2" X 4" X 18'-0"	62	(B) TOP CHORD	2" X 6" X 18'-0"	62
(C) BOTTOM CHORD	2" X 4" X 14'-0"	31	(C) BOTTOM CHORD	2" X 6" X 14'-0"	31
(D) STRUT & (E) BLOCK	2" X 4" X 16'-0"	31	(D) STRUT & (E) BLOCK	2" X 6" X 16'-0"	31
(F) GUSSET	2" X 4" X 10'-0"	31	(F) GUSSET	2" X 4" X 10'-0"	31
(G) TIE & (K) SCAB	1" X 6" X 12'-0"	31	(G) TIE & (K) SCAB	4'-0" X 8' 0" X 3/8" EXT. PLY.	8
(H) PAD	1" X 4" X 10'-0"	16	(H) PAD	1" X 4" X 10'-0"	124
DIAGONAL BRACING	1" X 4" X 521 LIN. FT.	16	DIAGONAL BRACING	1" X 6" X 10'-0"	16
POLES (PRESSURE TREAT)	16'-0" LONG	16	POLES (PRESSURE TREAT)	17'-0" LONG	16
NAILING GIRTS	2" X 4" X 16'-0"	4	NAILING GIRTS	2" X 4" X 16'-0"	4
SPLASH BOARDS PRESSURE TREATED	2" X 6" X 12'-0"	5	SPLASH BOARDS PRESSURE TREATED	2" X 6" X 12'-0"	5
	2" X 6" X 10'-0"	4		2" X 6" X 10'-0"	4
	2" X 10" X 10'-0"	6		2" X 10" X 10'-0"	6
GIRDERS	2" X 6" X 12'-0"	20	GIRDERS	2" X 6" X 12'-0"	20
	2" X 6" X 10'-0"	16		2" X 6" X 10'-0"	16
BLOCKING	2" X 10" X 12'-0"	20	BLOCKING	2" X 10" X 12'-0"	40
	2" X 4" X 16'-0"	2		2" X 4" X 16'-0"	2
	2" X 4" X 10'-0"	2		2" X 4" X 10'-0"	2
SPLICE	2" X 10" X 12'-0"	6	SPLICE	2" X 10" X 12'-0"	6
	2" X 4" X 12'-0"	2		2" X 4" X 12'-0"	2
VERGE BOARDS	2" X 4" X 12'-0"	2	VERGE BOARDS	2" X 4" X 12'-0"	2
SIDING & DOORS: 1791	BM. 1" BOARDS OR 16 SQS. OF MET. SIDING.		SIDING & DOORS: 1791	BM. 1" BOARDS OR 16 SQS. OF MET. SIDING.	
ROOF SHEATHING:	2500 B.M. 1" BOARDS		ROOF SHEATHING:	2500 B.M. 1" BOARDS	
ROOFING	23 SQUARES - 62' RIDGE CAP		ROOFING	23 SQUARES - 62' RIDGE CAP	
HARDWARE	4 DOOR HANGERS, SLIDING DOOR TRACK 48" GUTTERS, DOWNSPOUTS, NAILS, STRAPS & PAINT.		HARDWARE	4 DOOR HANGERS, SLIDING DOOR TRACK 48" GUTTERS, DOWNSPOUTS, NAILS, STRAPS & PAINT.	
FOR METAL ROOF SPACED ROOF SHEATHING: 2432' OF 1" X 4" WOOD STRIPS 12 & 14 FT. LENGTH.			FOR METAL ROOF SPACED ROOF SHEATHING: 2432' OF 1" X 4" WOOD STRIPS 12 & 14 FT. LENGTH.		



**MULTI PURPOSE POLE BUILDING  
CATTLE & HAY BARN**

ENGINEER	SCALE AS SHOWN
DRAWN BY	SHEET 2 OF 2
TRACED BY JEP	DATE 6-15-67 NO. 5794

- ② IF METAL SIDING IS USED USE GIRTS OF SIZE & SPACING RECOMMENDED BY THE MANUFACTURER.
- ③ IF ROLL ROOFING OR ASPHALT SHINGLE ROOFING ARE USED APPLY OVER SOID SHEATHING.

## Disclaimer

This site makes available conceptual plans that can be helpful in developing building layouts and selecting equipment for various agricultural applications. These plans do not necessarily represent the most current technology or construction codes. They are not construction plans and do not replace the need for competent design assistance in developing safe, legal and well-functioning agricultural building system. The LSU Agriculture Center, the Mid-West Plan Service, the United States Department of Agriculture and none of the cooperating land-grant universities warranty these plans.