

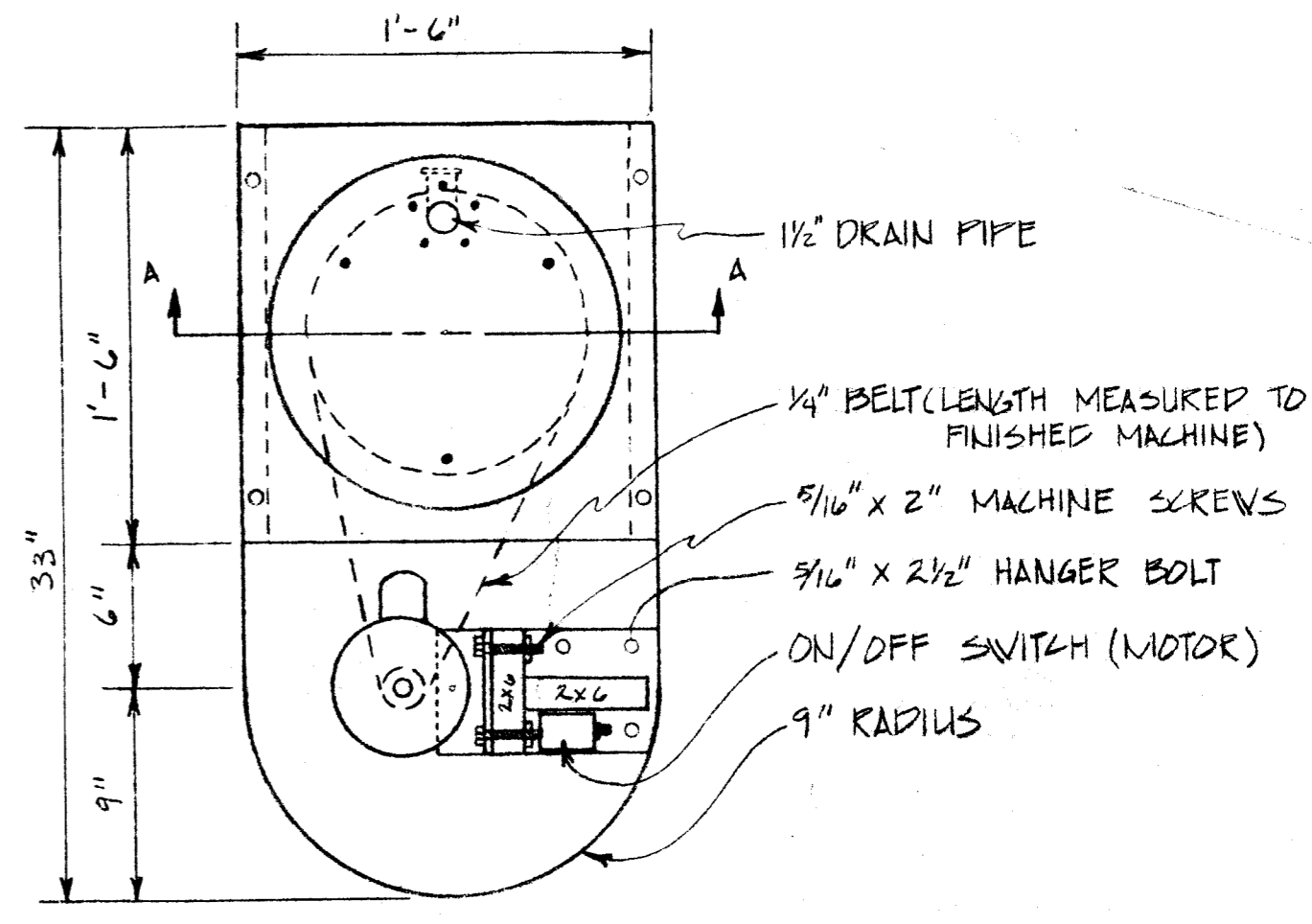
2"x4"x22" LUMBER CROSSBAR
 3/8"x4" BOLT WITH WING NUT, BENT AT 90° ANGLE
 1/2" METAL SHAFT SPOT WELDED TO TOP OF BASKET FRAME
 1/2" METAL SHAFT
 STANDARD 20 GALLON GALVANIZED METAL GARBAGE CAN WITH FLAT BASE
 WOVEN WIRE BASKET WITH REMOVABLE SCREWS

1/2" SEALED PILLOW BLOCK BEARINGS
 5/16"x1" MACHINE SCREWS
 1/2" PIPE FLANGE
 HANGER BOLT WITH WING NUT
 3/4" PLYWOOD
 2x6 RISERS
 12"x1/2" PULLEY FOR 1/4" BELT
 1/2" P.V.C.
 1/2" P.V.C. - GLUE FEMALE TO THREADED MALE NIPPLE

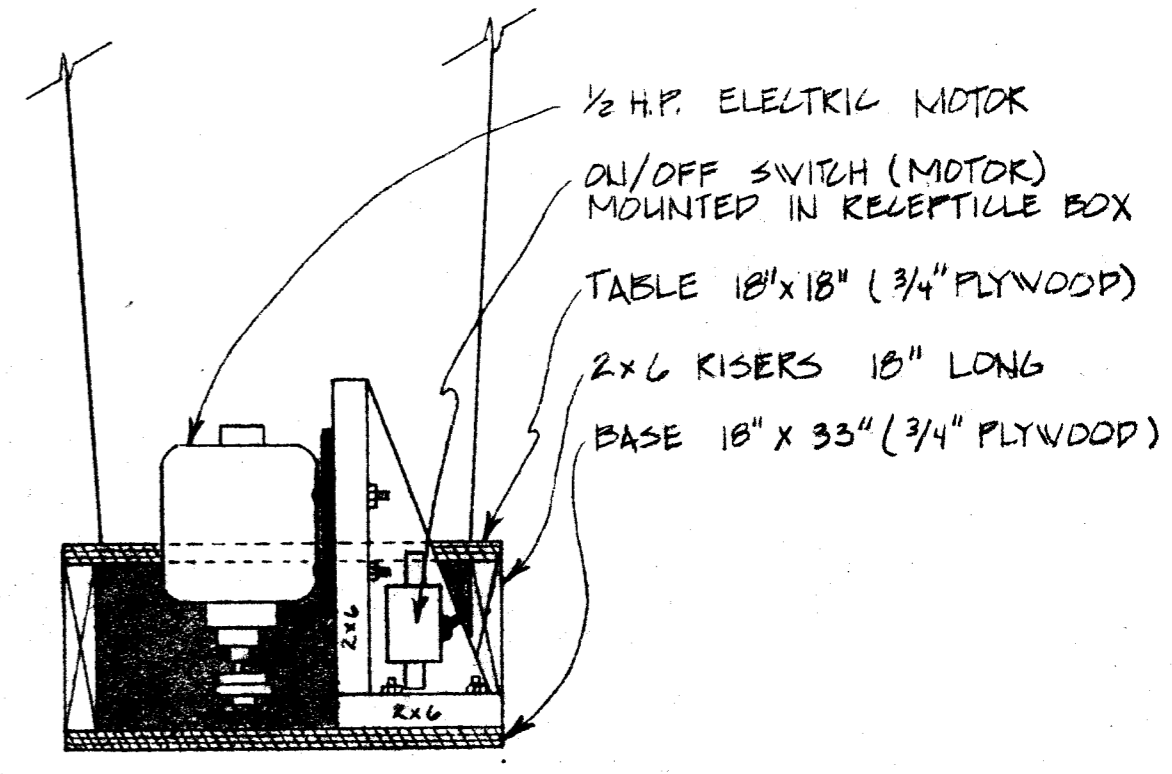
SECTION A-A
 SCALE 5"=1'-0"

5/16"x1 1/2" MACHINE SCREWS
 5/16"x2" MACHINE SCREWS WITH SILICONE SEALANT
 1/2" PLYWOOD CIRCLE TO FIT BOTTOM OF CAN
 #10 x 1 1/2" WOOD SCREWS AND GLUE
 3/4" PLYWOOD BASE
 PILLOW BLOCK BEARING
 1/8"x6"x6" TEFLON PAD

NOTE: ALL PLYWOOD EXTERIOR GRADE
 ALL ELECTRICAL EQUIPMENT MUST BE GROUNDED



PLAN
 SCALE 1/2"=1'-0"



ELEVATION
 SCALE 1/2"=1'-0"

COOPERATIVE EXTENSION WORK IN AGRICULTURE AND HOME ECONOMICS		
LOUISIANA STATE UNIVERSITY & A. & M. COLLEGE AND U. S. DEPT. OF AGRI. COOPERATING		
HONEY EXTRACTOR		
ENGINEER	F.E. BAKER	SCALE AS SHOWN
DRAWN BY	WAP	SHEET 1 OF 2
TRACED BY	WAP	DATE 7-1-82 NO. 68-08