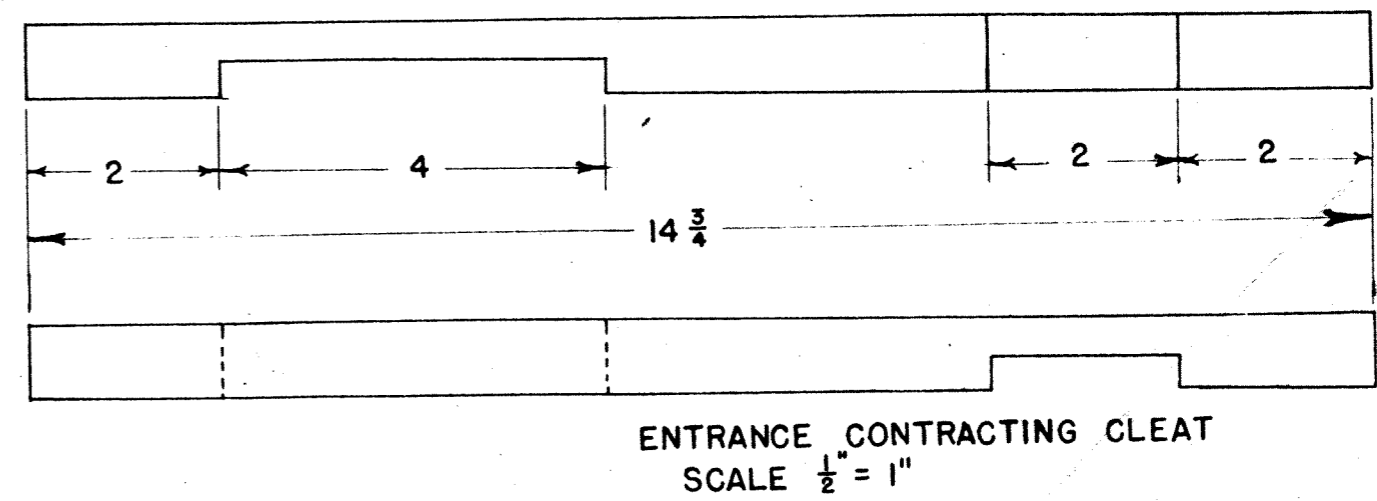
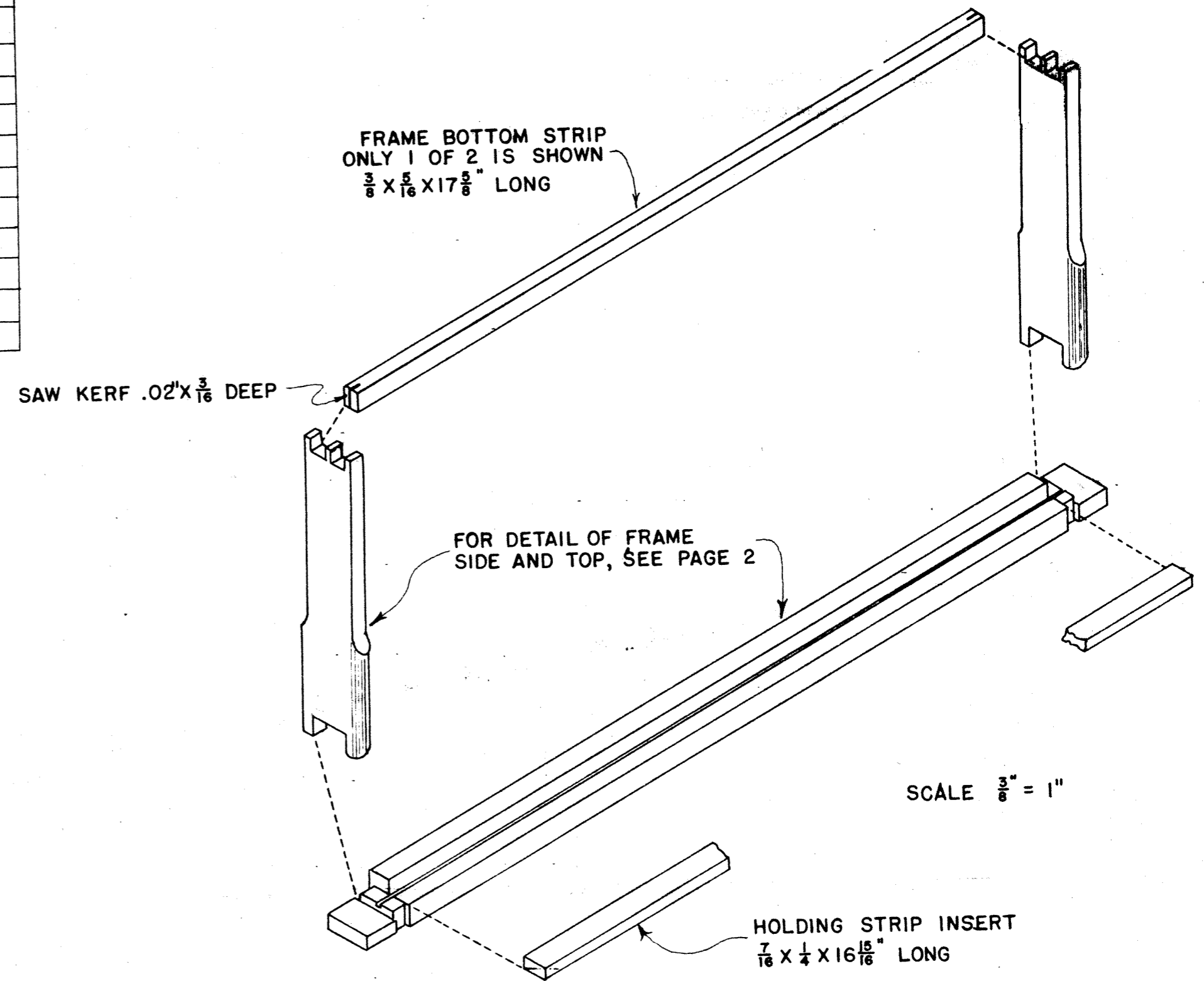
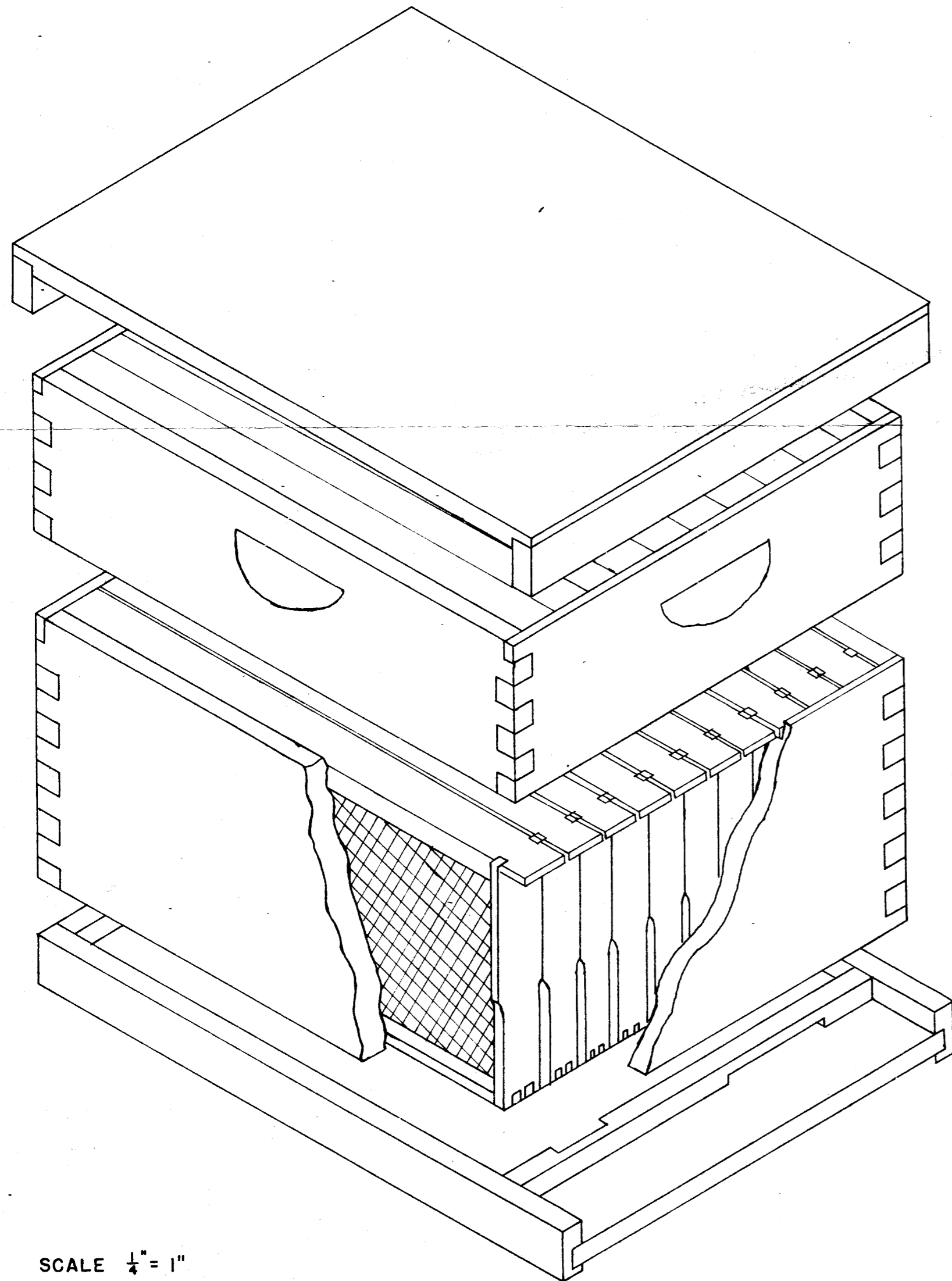


## LIST OF MATERIALS

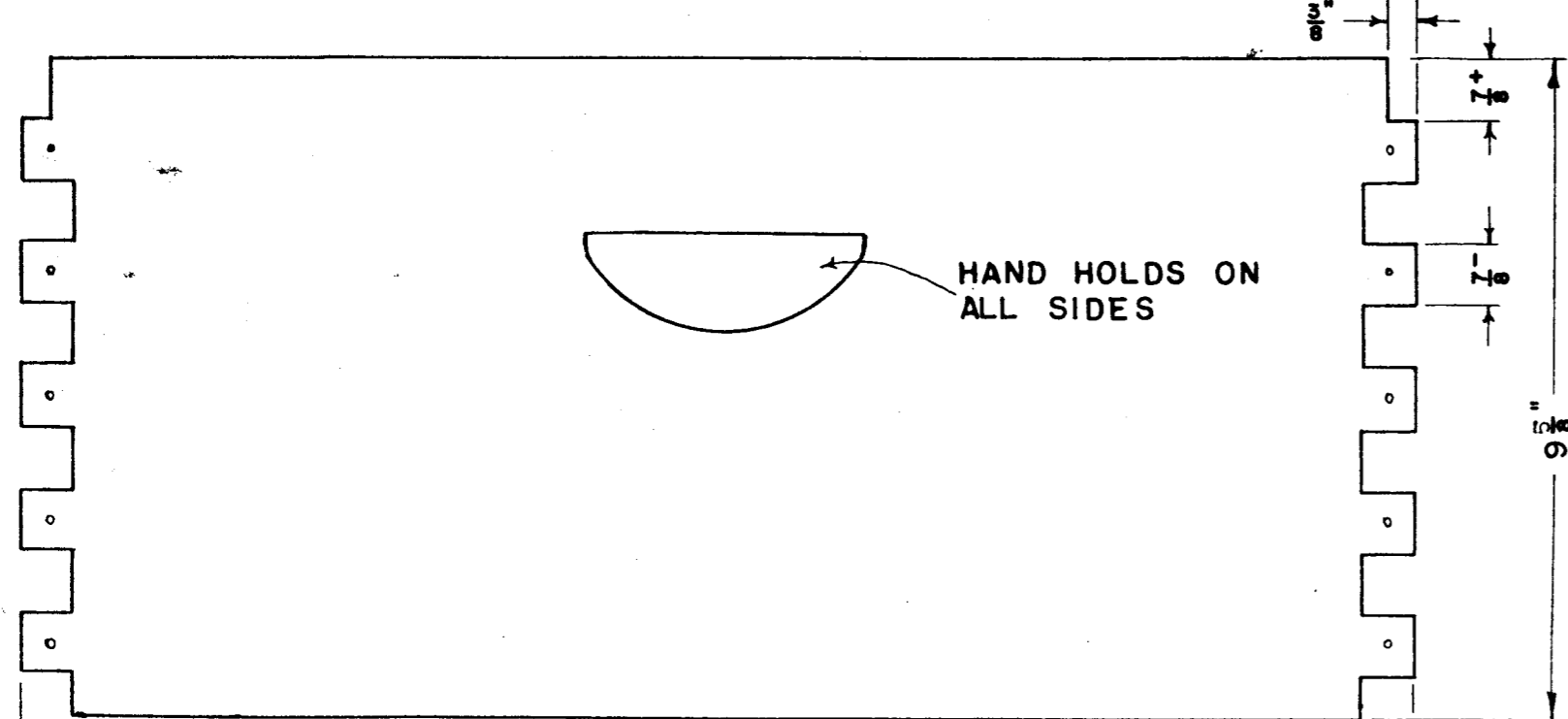
QUAN	DESCRIPTION	QUAN	DESCRIPTION
1	21 $\frac{5}{8}$ X 16 $\frac{1}{2}$ EXTERIOR PLYWOOD - (TOP)	2	1 $\frac{3}{4}$ X $\frac{3}{4}$ X 22" PINE SIDE PIECE
2	1 $\frac{3}{4}$ X $\frac{3}{4}$ X 16 $\frac{1}{2}$ PINE EDGE PIECE	1	1 $\frac{3}{4}$ X $\frac{3}{4}$ X 14 $\frac{3}{4}$ PINE END PIECE
2	SHALLOW SUPER SIDE	20	FRAME SIDE PIECES-DEEP SUPER
2	SHALLOW SUPER FRONT	20	FRAME SIDE PIECES-SHALLOW SUPER
		20	FRAME TOP PIECES
2	DEEP SUPER SIDE	20	$\frac{7}{16}$ X $\frac{1}{4}$ X 16 $\frac{15}{16}$ HOLDING STRIP INSERT
2	DEEP SUPER FRONT	40	$\frac{3}{8}$ X $\frac{5}{16}$ X 17 $\frac{5}{8}$ FRAME BOTTOM STRIP
1	21 $\frac{5}{8}$ X 15 $\frac{1}{2}$ X $\frac{3}{4}$ EXTERIOR PLYWOOD (BOTTOM)	1	$\frac{3}{4}$ X $\frac{3}{4}$ X 14 $\frac{3}{4}$ ENTRANCE CONTRACTING CLEAT



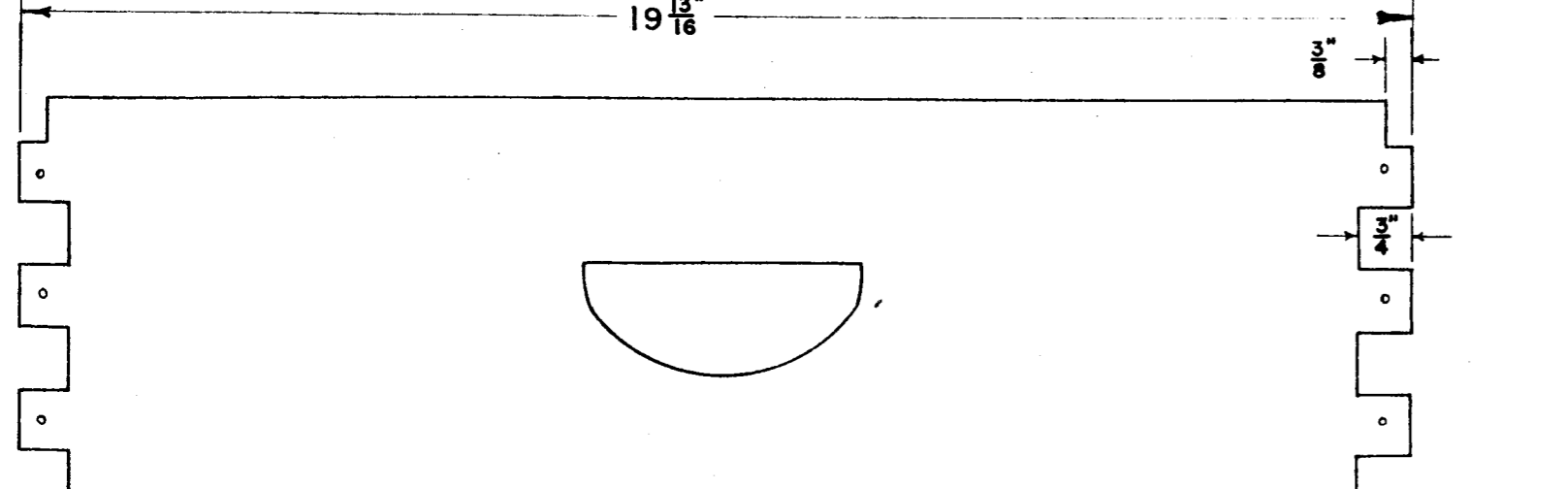
**NOTES:**

1. IF PLYWOOD IS USED FOR SUPERS, IT SHOULD BE EXTERIOR GRADE AND ALL END GRAINS ARE TO BE WELL SEALED.

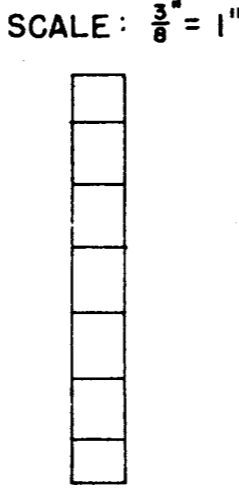
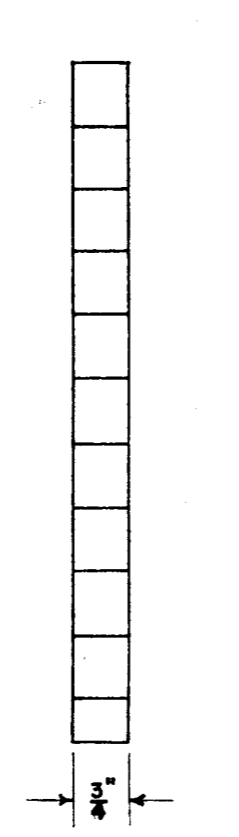
COOPERATIVE EXTENSION WORK IN AGRICULTURE AND HOME ECONOMICS <b>LOUISIANA STATE UNIVERSITY &amp; A. &amp; M. COLLEGE</b> AND U. S. DEPT. OF AGRI. COOPERATING	
<b>BEE HIVE</b> SOUTH CAROLINA	
ENGINEER	SCALE AS SHOWN
DRAWN BY	SHEET 1 OF 2
TRACED BY R.B.	DATE 6-17-75 NO. 68-7



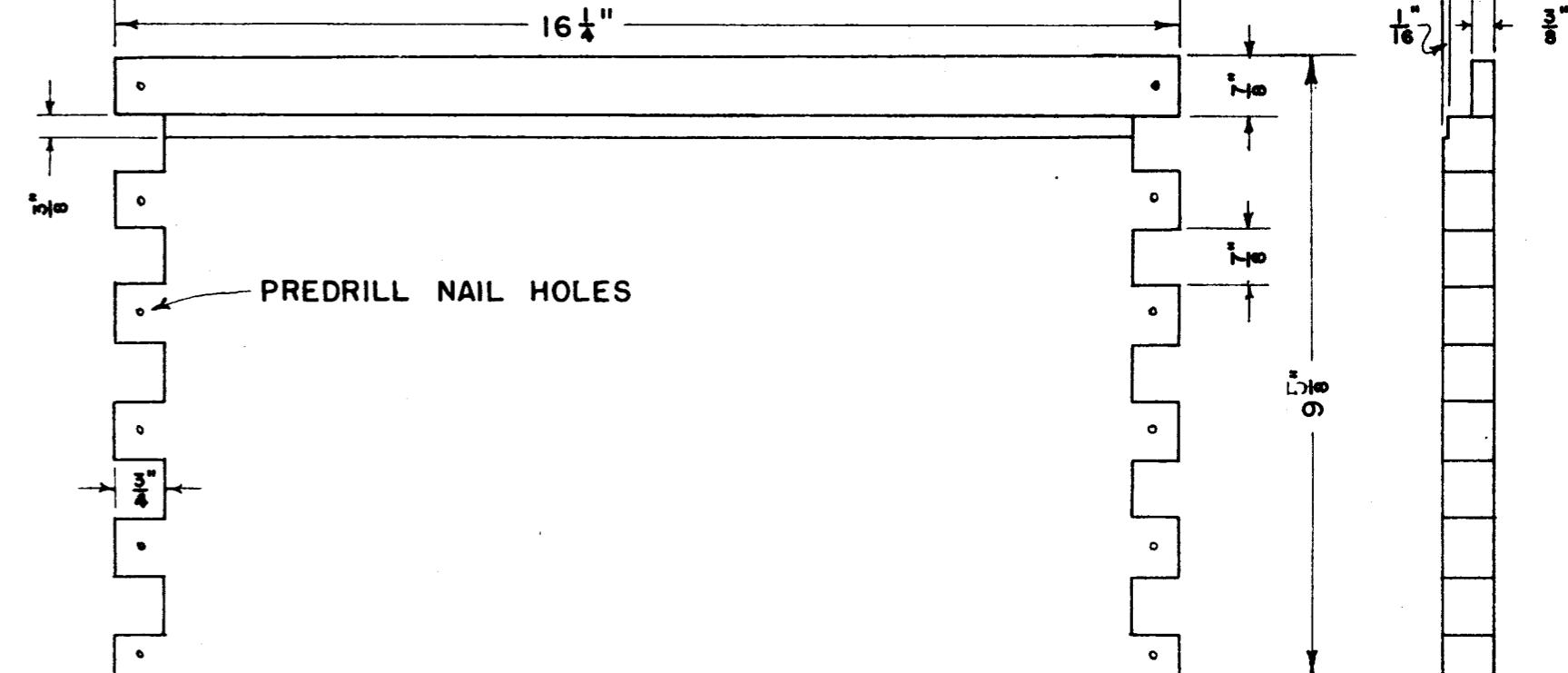
FRONT-DEEP SUPER MAKE 2



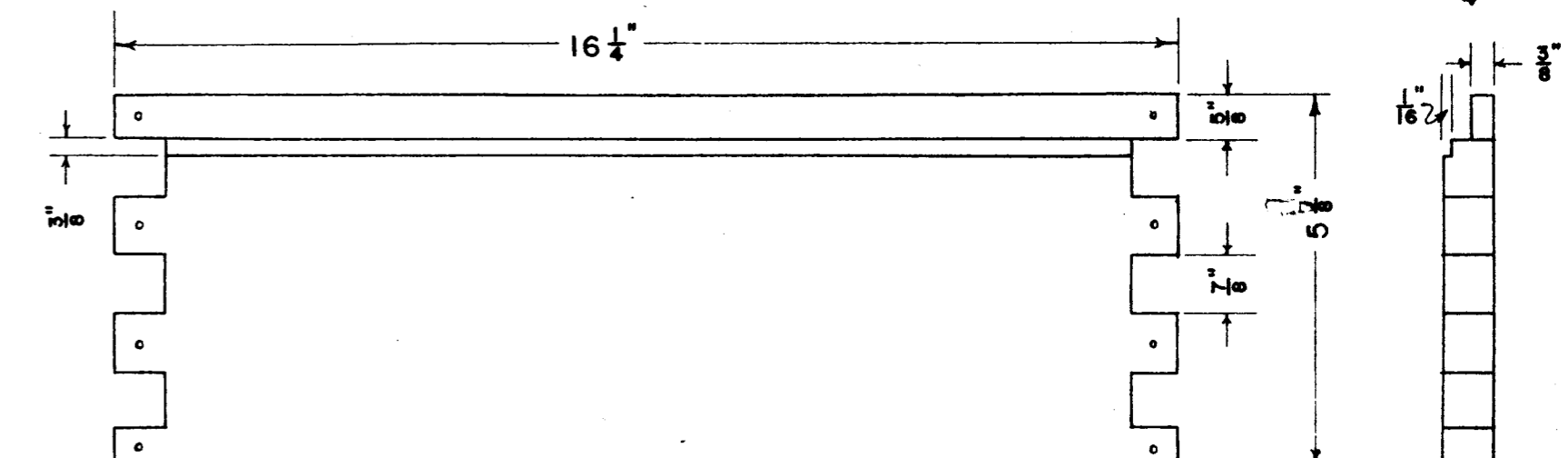
FRONT-SHALLOW SUPER MAKE 2



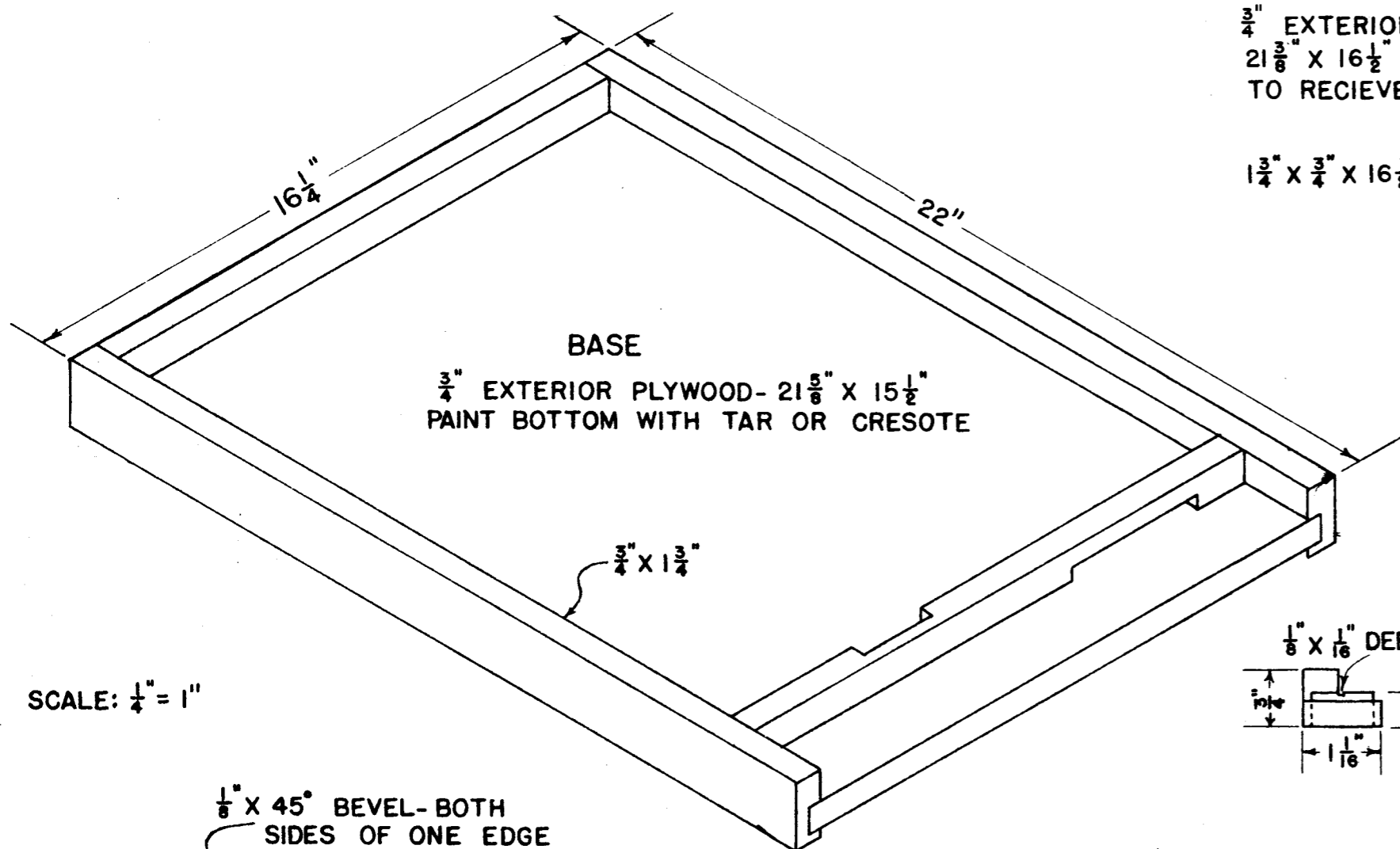
SCALE: 3/8" = 1"



SIDE-DEEP SUPER (LOOKING INSIDE)

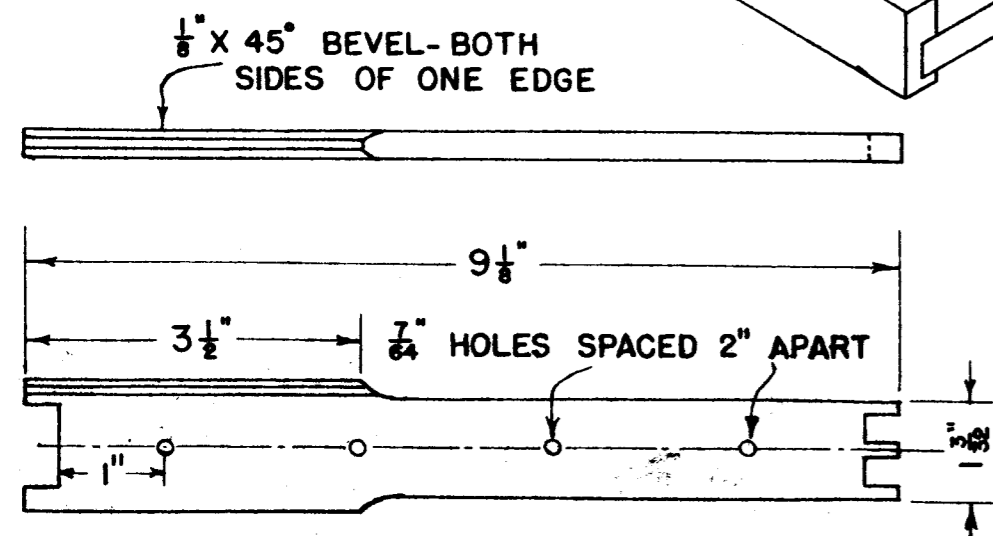


SIDE-SHALLOW SUPER (INSIDE VIEW) MAKE 2



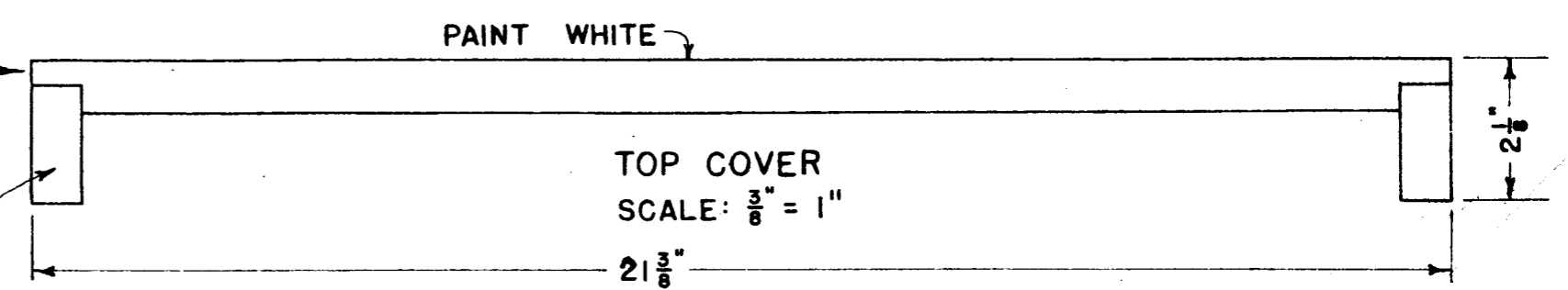
BASE  
3/4" EXTERIOR PLYWOOD- 21 5/8" X 15 1/2"  
PAINT BOTTOM WITH TAR OR CRESOTE

SCALE: 1/4" = 1"

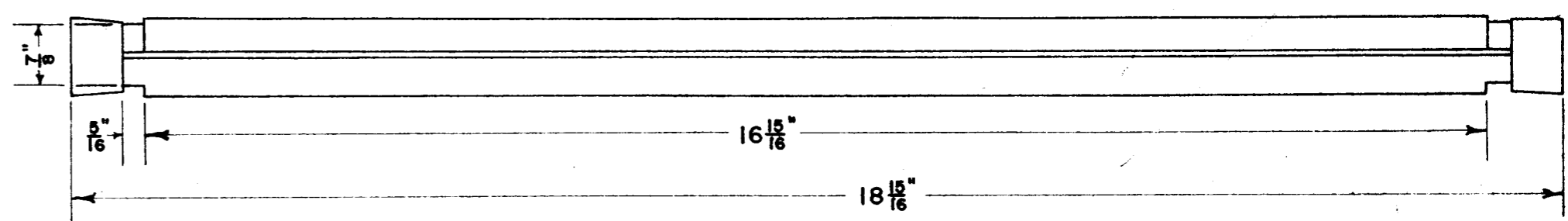
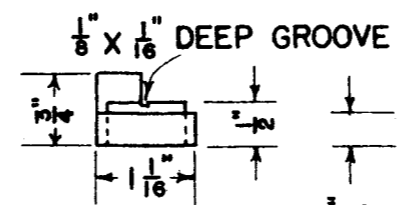


SCALE: 1/2" = 1"

3/4" EXTERIOR PLYWOOD  
21 5/8" X 16 1/2" RABBET  
TO RECIEVE ENDS  
1 3/4" X 3/4" X 16 1/2" LONG

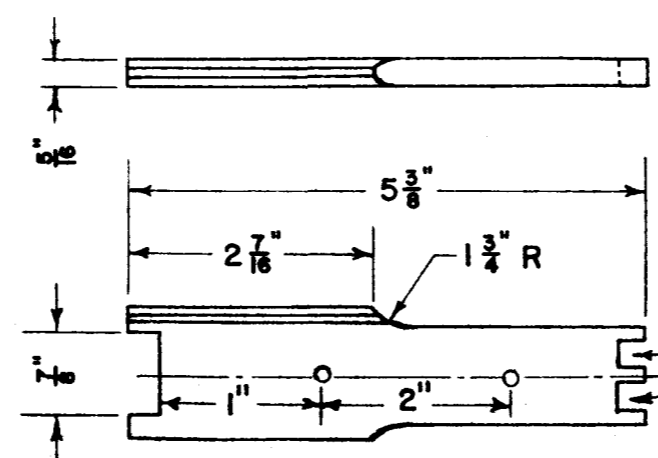


TOP COVER  
SCALE: 3/8" = 1"  
21 3/8"



TOP OF FRAME- FOR DEEP OR SHALLOW SUPER  
MAKE 10 FOR EACH SUPER

SCALE: 1/2" = 1"



2- 5/16" X 3/8" DEEP NOTCHES  
SPACE EQUALLY

COOPERATIVE EXTENSION WORK IN AGRICULTURE AND HOME ECONOMICS LOUISIANA STATE UNIVERSITY & A. & M. COLLEGE AND U. S. DEPT. OF AGRI. COOPERATING	
BEE HIVE SOUTH CAROLINA	
ENGINEER	SCALE AS SHOWN
DRAWN BY	SHEET 2 OF 2
TRACED BY R.B.	DATE 6-17-75 NO. 68-7