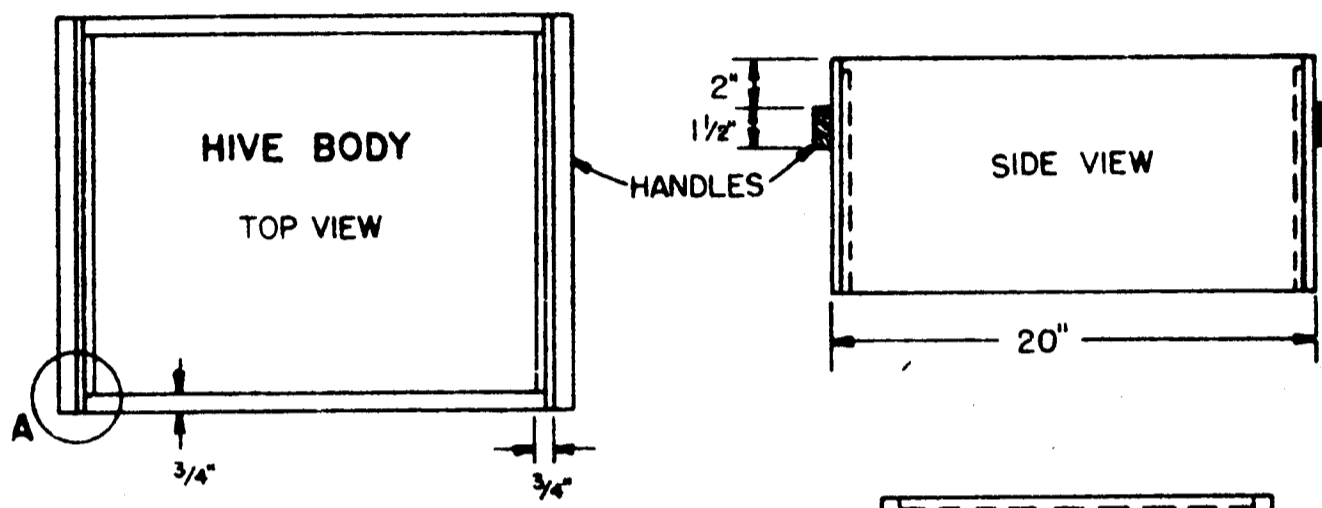
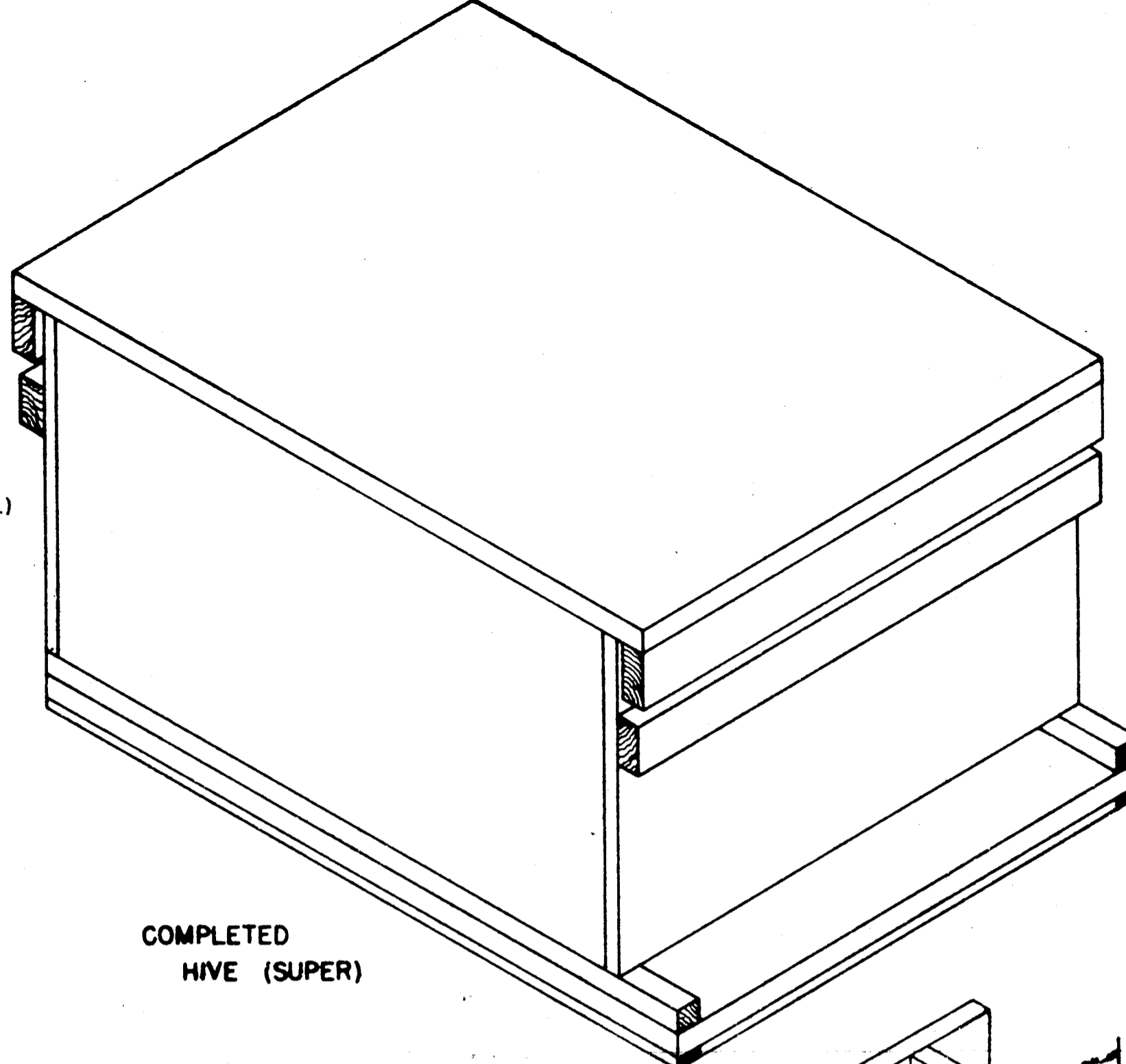


COVER 16 1/4" X 22"	BOTTOM 16 1/4" X 22"	BOTTOM 16 1/4" X 22"	COVER 16 1/4" X 22"
HANDLES 1 1/2" X 16 1/4"		HANDLES 1 1/2" X 16 1/4"	
SIDE 9 5/8" X 19 1/4"	END 9 5/8" X 16 1/4"	END 9 5/8" X 16 1/4"	SIDE 9 5/8" X 19 1/4"
SIDE 9 5/8" X 19 1/4"	END 9 5/8" X 16 1/4"	END 9 5/8" X 16 1/4"	SIDE 9 5/8" X 19 1/4"

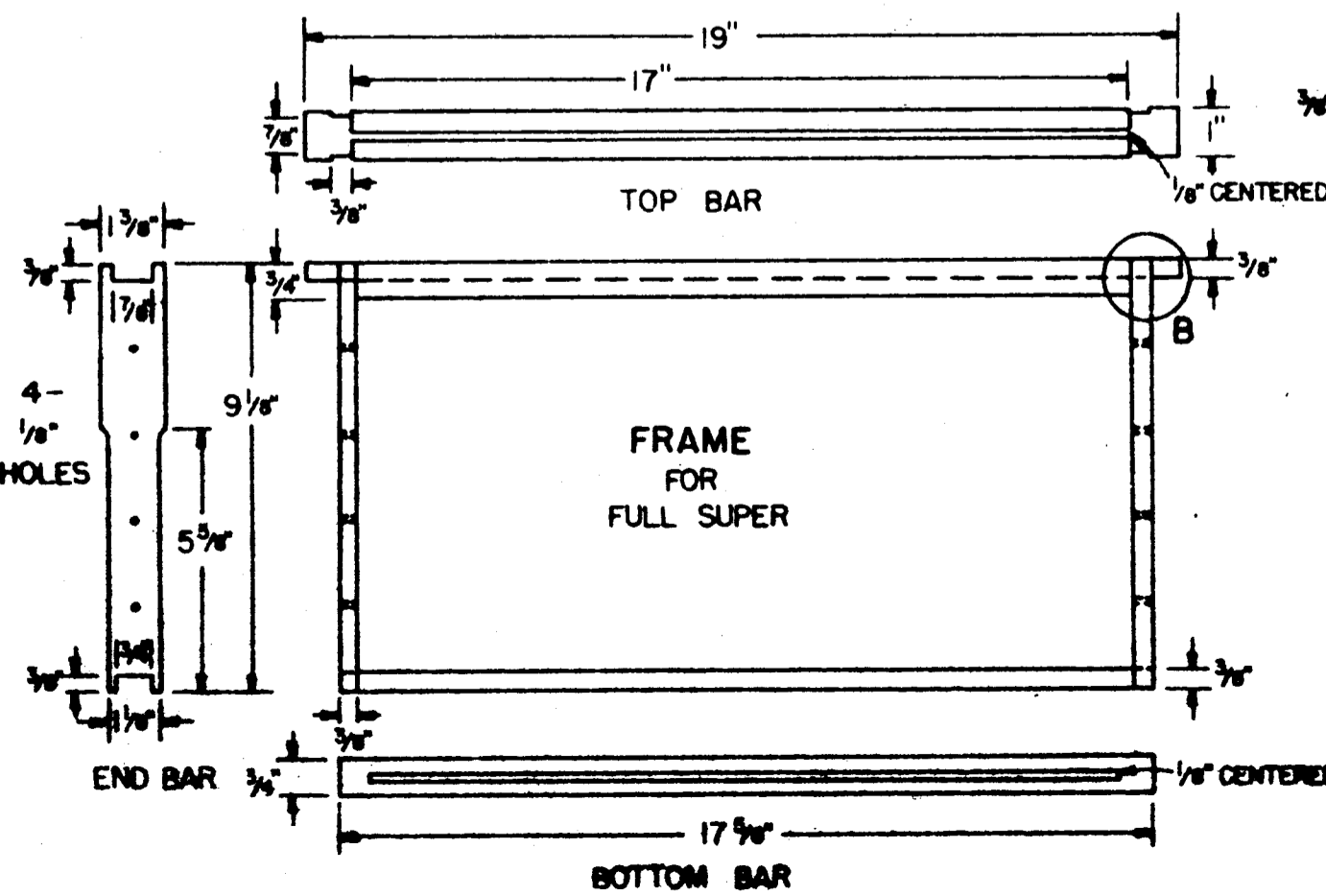
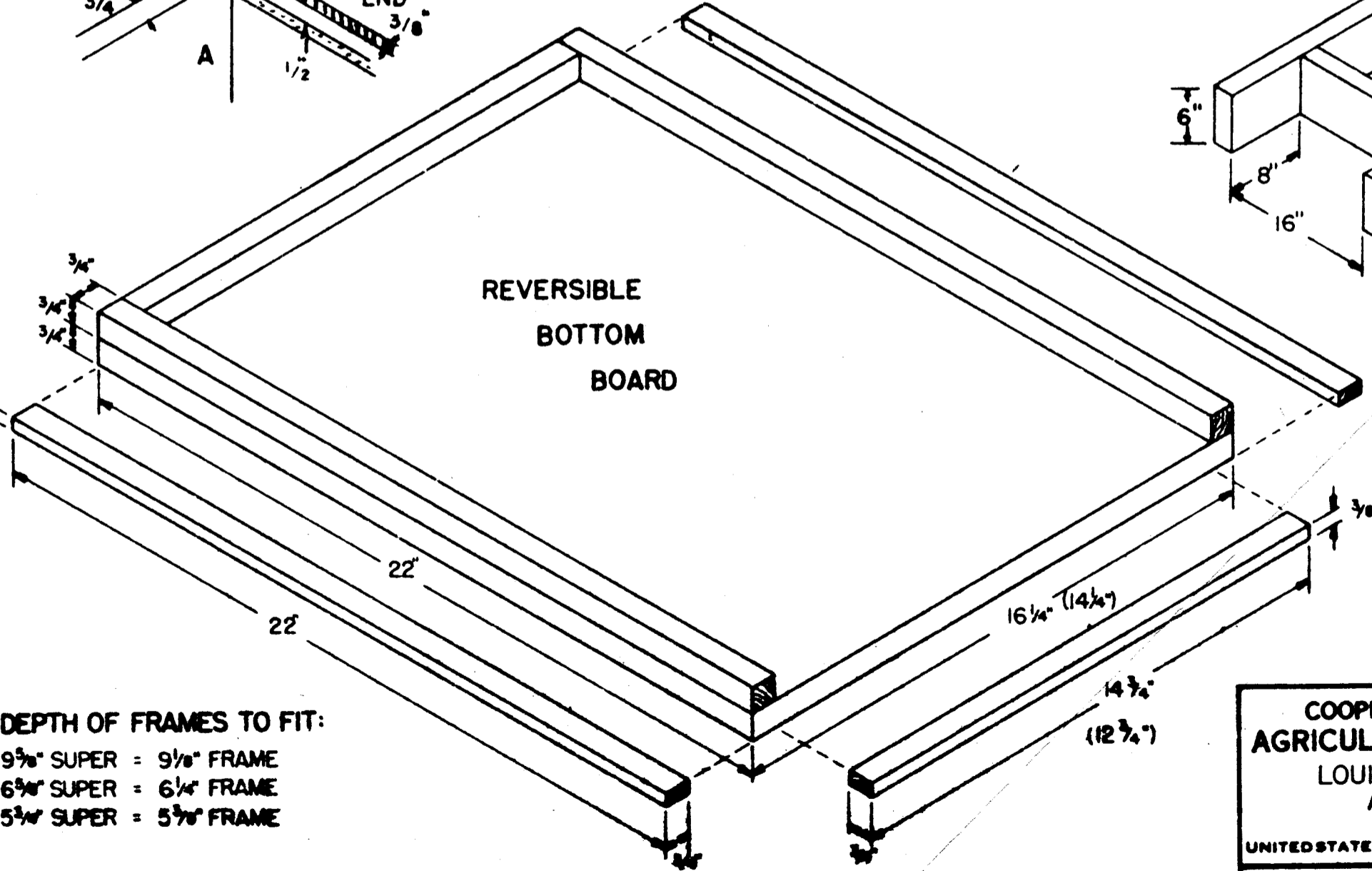
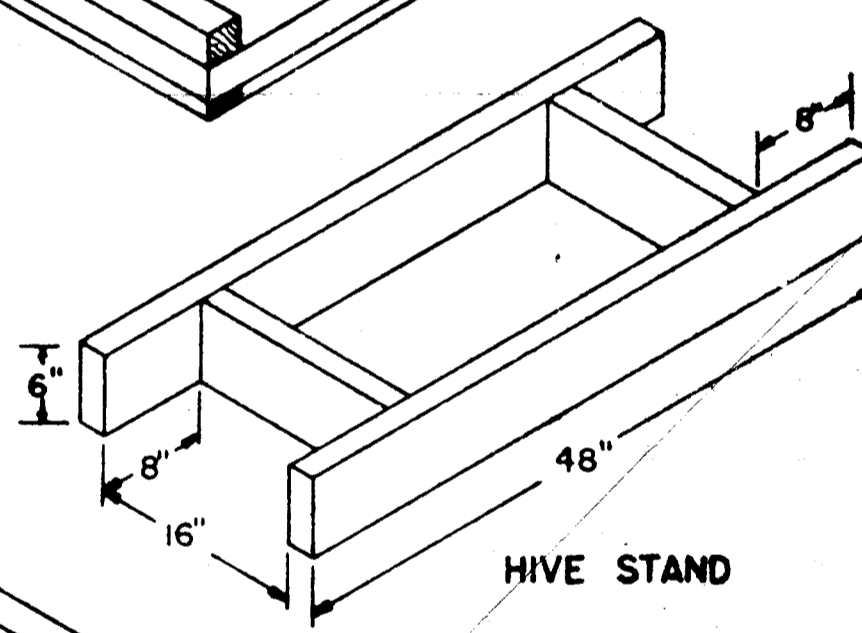
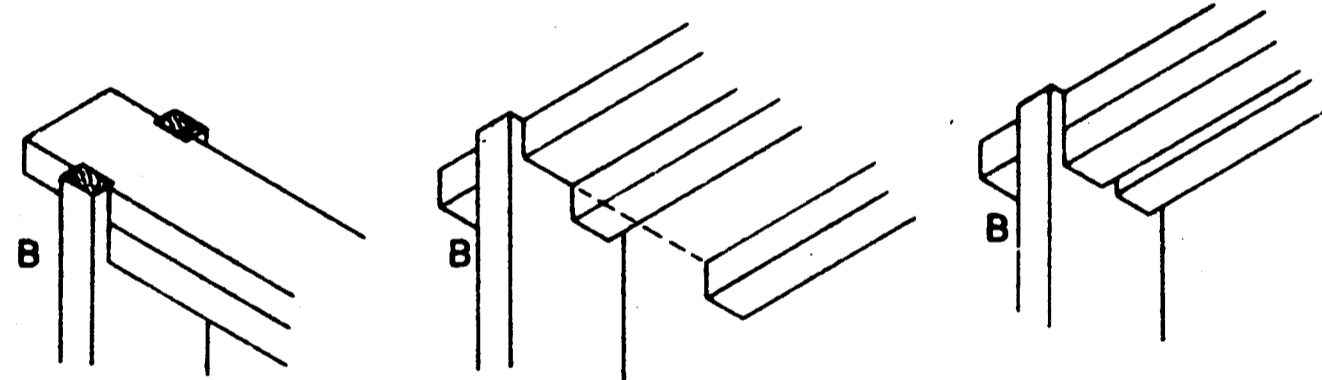
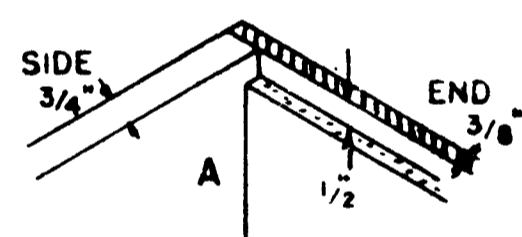
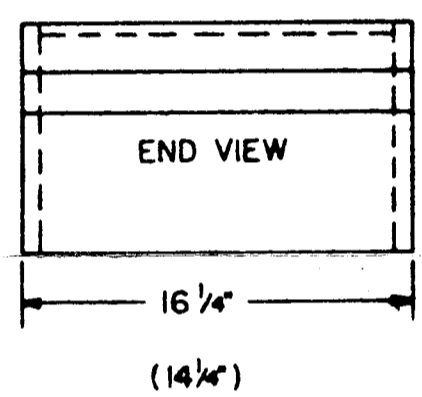
CUTTING PLAN FOR PLYWOOD PARTS SHOWING ACTUAL DIMENSIONS ALLOW FOR SAW KERFS ON SAWN EDGES. (ONE HIVE BODY FROM 4' X 4' PLYWOOD, FULL SUPER.)



ALTERNATE DIMENSIONS FOR AN B-FRAME UNIT ARE IN BRACKETS.

- MATERIALS LIST**
 10'-10'-2" X 6" PINE OR FIR
 4' X 4' X 3/4" A-A EXTERIOR PLYWOOD
 1 3/4" X 3/4" X 33" PINE OR FIR
 1" X 3/4" X 20" PINE OR FIR
 3/4" X 3/4" X 60" PINE OR FIR
 1 3/8" X 3/8" X 19" PINE OR FIR
 3/4" X 3/8" X 80" PINE OR FIR
 1 LB. 6d BOX NAILS

DEPTHS FOR HIVES
 FULL SUPER = 9 5/8"
 THREE-QUARTER SUPER = 6 5/8"
 SHALLOW SUPER = 5 3/4"



DEPTH OF FRAMES TO FIT:
 9 5/8" SUPER = 9 5/8" FRAME
 6 5/8" SUPER = 6 1/4" FRAME
 5 3/4" SUPER = 5 7/8" FRAME

NO SCALE

COOPERATIVE EXTENSION WORK IN AGRICULTURE AND HOME ECONOMICS
 LOUISIANA STATE UNIVERSITY AND A & M COLLEGE
 AND UNITED STATES DEPARTMENT OF AGRICULTURE COOPERATING

BEEHIVE AND FRAME

OR. '75 6231 SHEET 1 OF 1

BASED ON: OREGON STATE UNIV. PLAN NO. BP 116