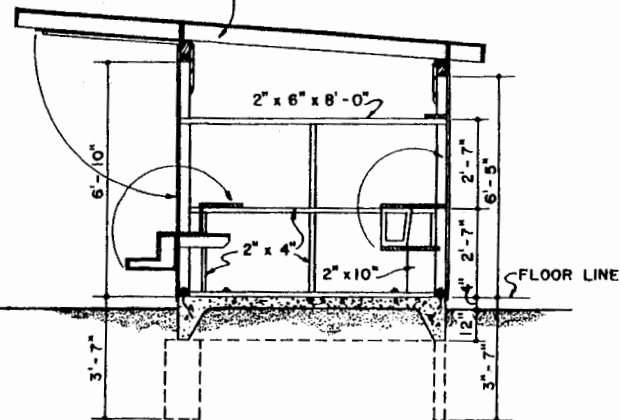


FRONT ELEVATION
HINGED COVERS NOT SHOWN

2" x 6" x 13'-10 1/2" RAFTERS,
2'-0" O.C., FASTENED
WITH COMMERCIAL
FRAMING ANCHORS

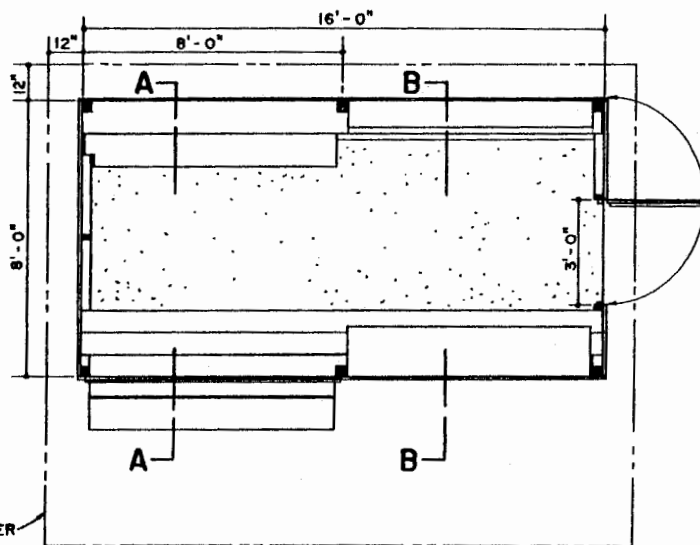


SECTION A-A
SHOWING END WALL FRAMING

FRONT POSTS ARE SET
IN 12" DIAMETER CONCRETE
PIERS AND BONDED WITH
EIGHT 20d NAILS DRIVEN
HALF WAY INTO EACH POST

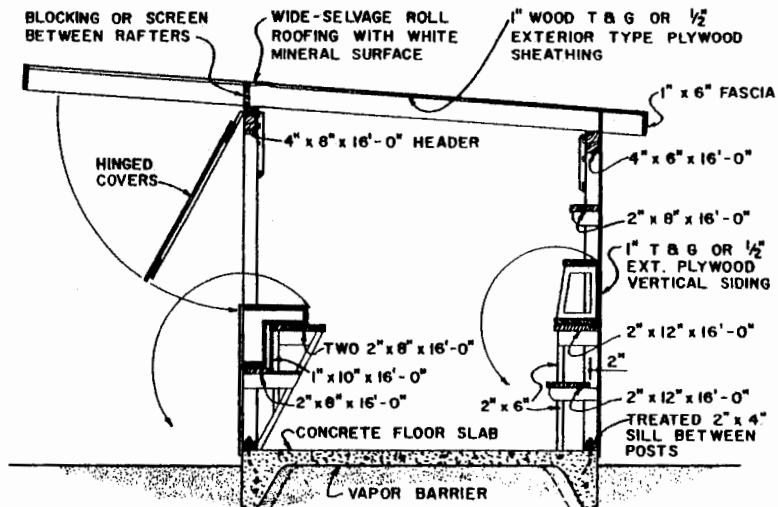
NOMINAL GRADE

FLOOR LINE



PLAN

ROOF LINE, OVER



SECTION B-B
SCALE: 1/2" = 1'-0"

ALL POSTS ARE 4" x 4" x 10'-0"
PRESSURE-TREATED WITH A
PRESERVATIVE TO A RETENTION
OF 6 LBS. PER CUBIC FOOT.

USE OF PRESERVATIVES SUCH
AS PENTACHLOROPHENOL OR
COPPER-NAPHTHENATE WILL
PERMIT THE POSTS TO BE
PAINTED.

FRONT POSTS ARE SECURED TO
THE 4" x 8" HEADER WITH 1 1/2" x 1 1/2"
x 1/8" STEEL ANGLES 18" LONG AND
FOUR 3/8" x 3" LAG SCREWS.

REAR POSTS ARE SECURED TO
THE 4" x 6" WITH STEEL ANGLES
15" LONG AND THREE LAG SCREWS.

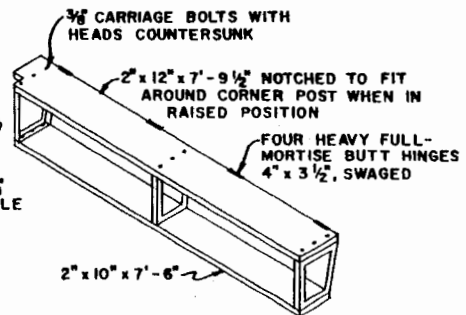
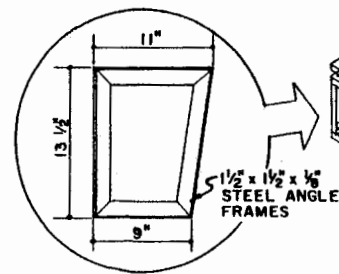
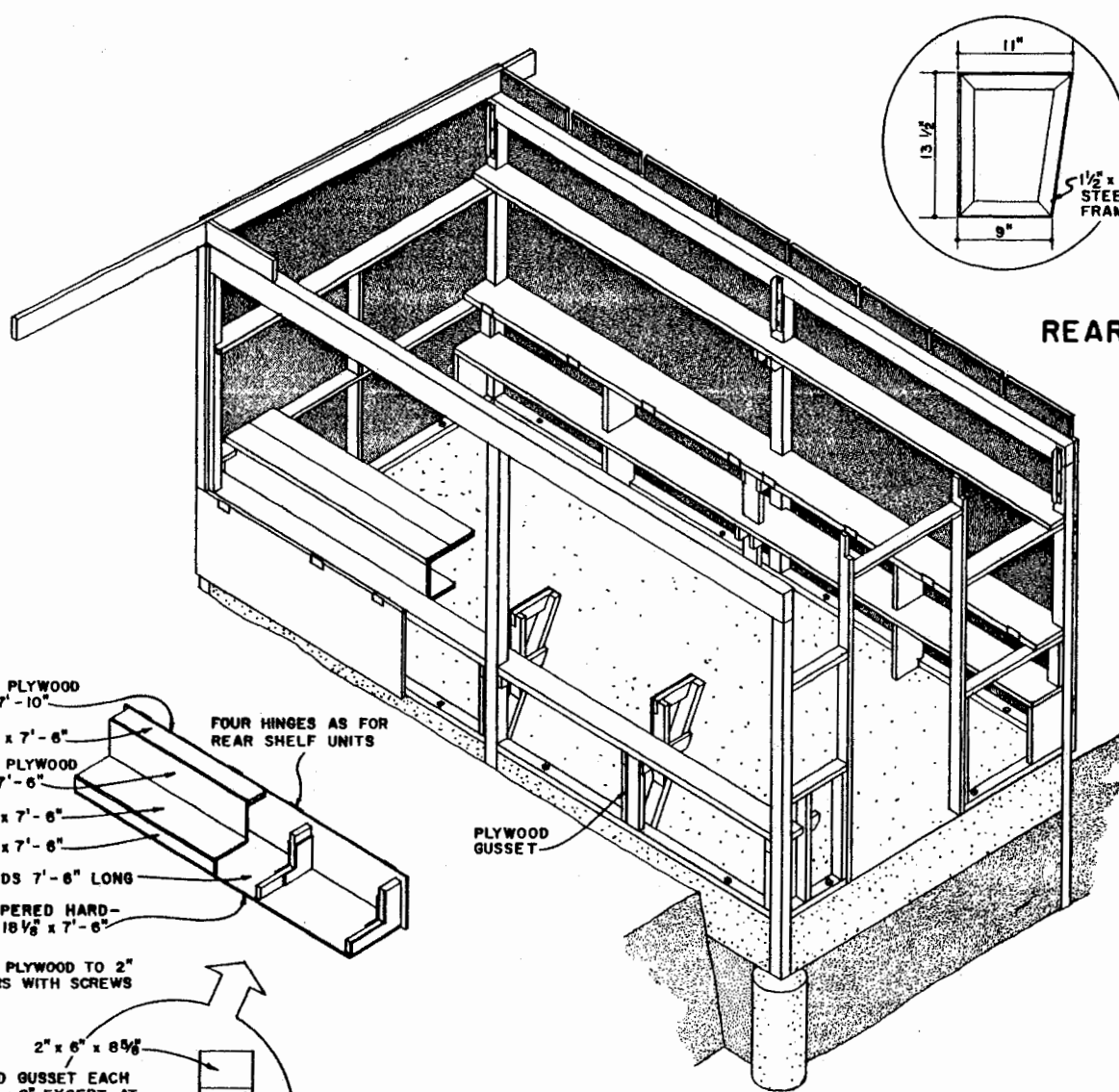
ANCHOR SILLS TO SLAB
WITH TWO 1/2" BOLTS 5'-0"
APART BETWEEN POSTS,
EXCEPT FOR THE BOLT AT
THE HINGE SIDE OF THE
DOOR JAMB.

SCALE: 3/8" = 1'-0" EXCEPT AS NOTED



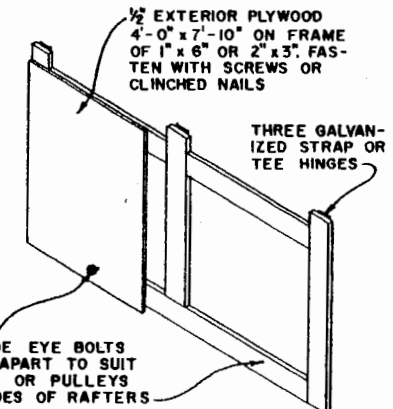
ROADSIDE STAND
8'-0" x 16'-0"

USDA '65 EX. 5983 SHEET 1 OF 2



REAR HINGED SHELF UNIT

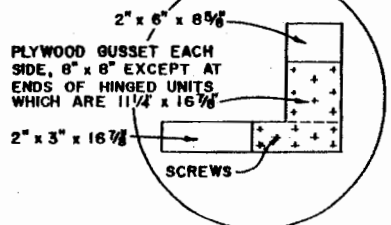
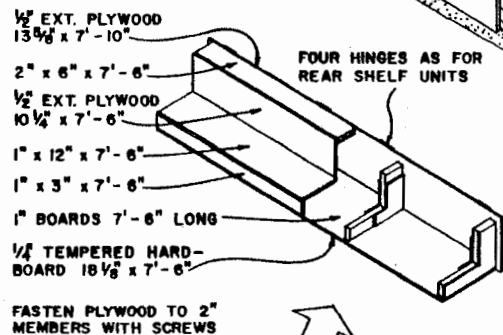
TWO REQUIRED




HINGED COVER

TWO REQUIRED

VIEW SHOWING CONSTRUCTION
CUT AWAY FOR CLARITY



COUNTER-DISPLAY UNIT
TWO REQUIRED

		
ROADSIDE STAND		
8'-0" x 16'-0"		
USDA	EX. 5983	SHEET 2 OF 2

Disclaimer

This site makes available conceptual plans that can be helpful in developing building layouts and selecting equipment for various agricultural applications. These plans do not necessarily represent the most current technology or construction codes. They are not construction plans and do not replace the need for competent design assistance in developing safe, legal and well-functioning agricultural building system. The LSU Agriculture Center, the Mid-West Plan Service, the United States Department of Agriculture and none of the cooperating land-grant universities warranty these plans.