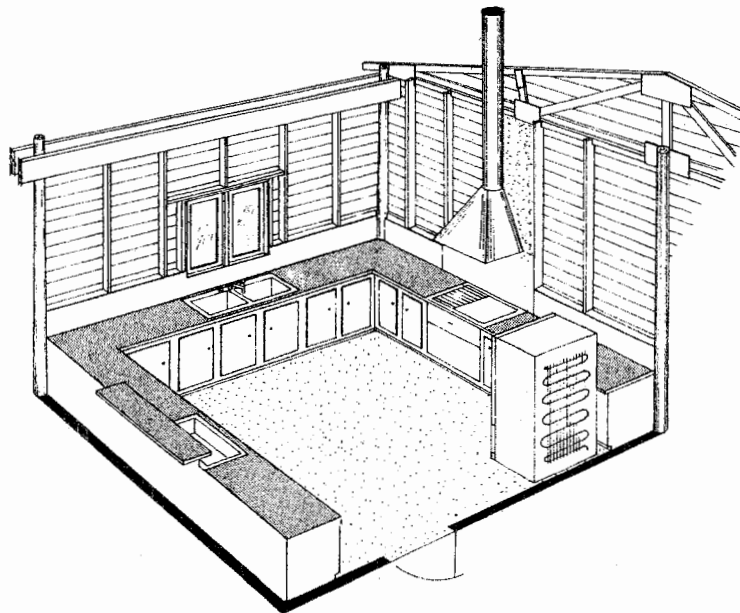


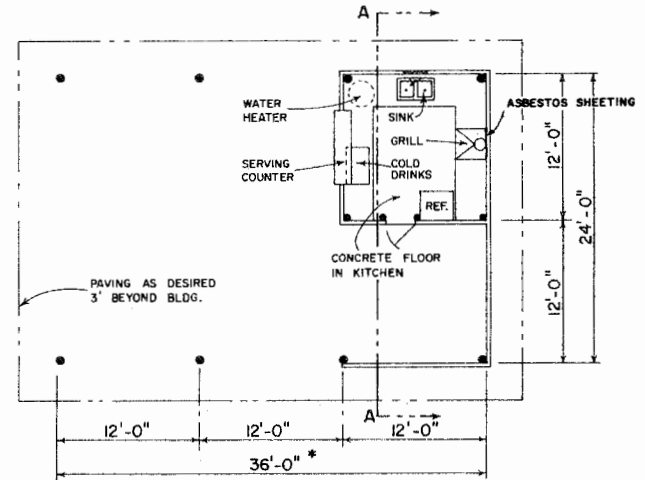
PERSPECTIVE



KITCHEN - CUTAWAY VIEW

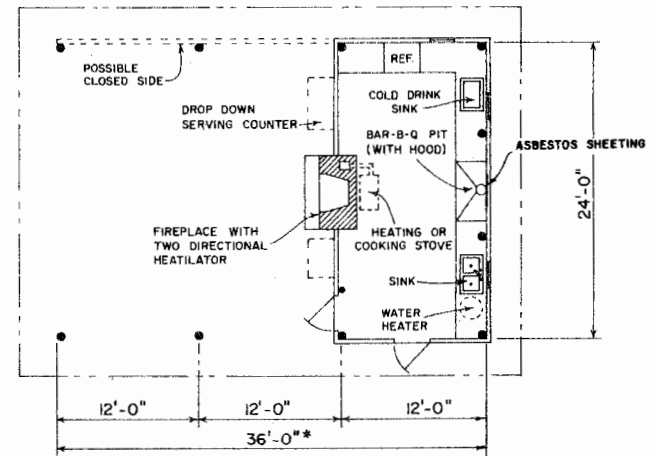
NOTE:

1. ALL WOODEN MEMBERS IN CONTACT WITH GROUND SHALL BE PRESERVATIVE PRESSURE TREATED (P.P.T.)
2. SIDEWALL CONSTRUCTION DETAILS FOR HORIZONTAL SIDING ARE SHOWN, FOR VERTICAL SIDING USE TYPICAL POLE BUILDING SIDEWALL CONSTRUCTION.
3. PROVISIONS SHOULD BE MADE FOR SHUTTING OFF WATER AND DRAINING ALL LINES IN PAVILION.



FLOOR PLAN

SCALE  $\frac{1}{8}" = 1'-0"$



ALTERNATE FLOOR PLAN

SCALE  $\frac{1}{8}" = 1'-0"$

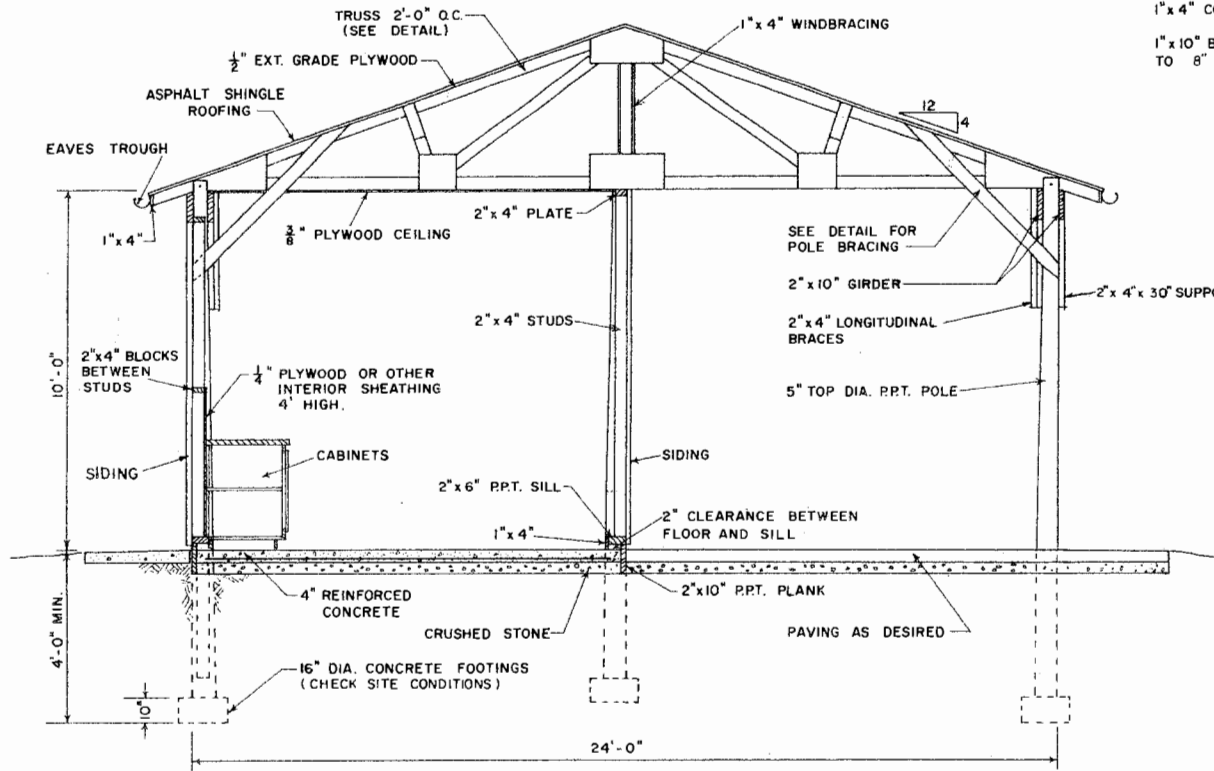
DESIGNED BY:  
 H. R. DAVIS  
 E. W. FOSS  
 W. W. IRISH  
 CORNELL UNIV. PLAN NO. 830



PAVILION WITH KITCHEN

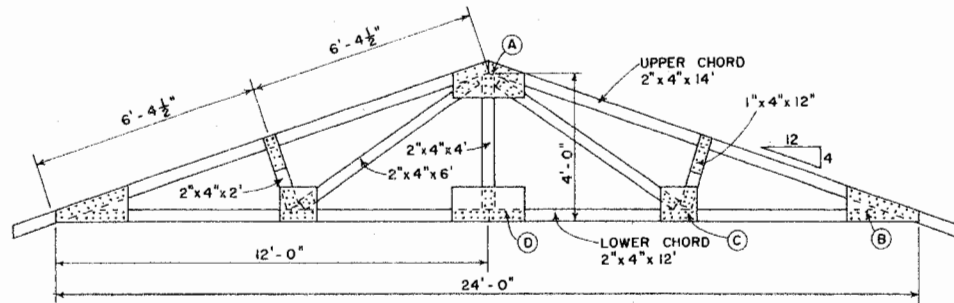
N.Y. '69 6079 SHEET 1 OF 2

\* LENGTH OF BLDG. MAY BE EXTENDED IN 12' UNITS.



CROSS SECTION A-A

SCALE:  $\frac{3}{8}'' = 1'-0''$

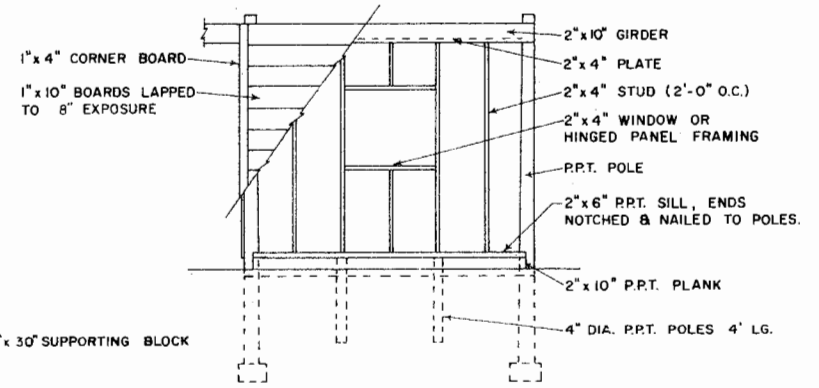


TRUSS DETAIL

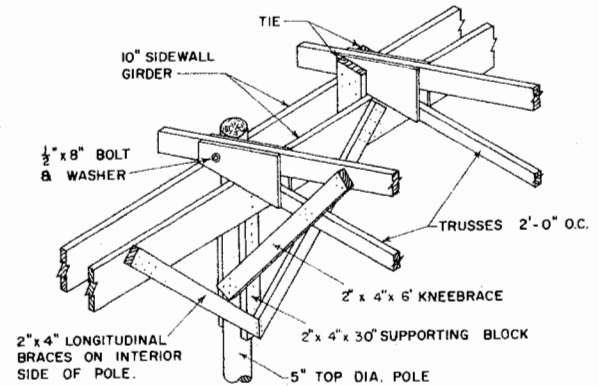
SCALE:  $\frac{3}{8}'' = 1'-0''$

NOTE:

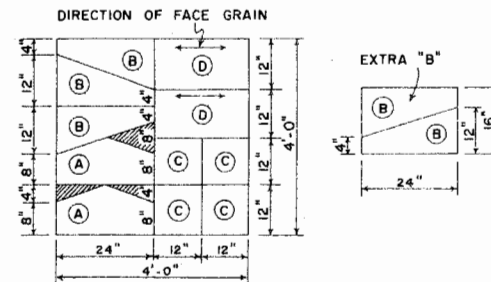
1. ALL GUSSET PLATES ARE GLUED & NAILED ON BOTH SIDES OF TRUSS. USE RESORCINOL GLUE & 6d BOX NAILS.
2. TRUSS DESIGNED FOR LOADS OF 30 P.S.F. AT 2'-0" O.C.
3. ALL LUMBER SHALL BE STRESS GRADED TO PROVIDE 1500 P.S.I. FIBER STRESS IN BENDING & 1350 P.S.I. IN COMPRESSION.



SIDEWALL FRAMING  
(HORIZONTAL SIDING)



TRUSS ANCHORAGE & POLE BRACING



GUSSET PLATES - CUTTING DIAGRAM

$\frac{3}{8}''$  EXTERIOR, DOUGLAS FIR PLYWOOD



PAVILION WITH KITCHEN

N.Y. '69 6079 SHEET 2 OF 2

## Disclaimer

This site makes available conceptual plans that can be helpful in developing building layouts and selecting equipment for various agricultural applications. These plans do not necessarily represent the most current technology or construction codes. They are not construction plans and do not replace the need for competent design assistance in developing safe, legal and well-functioning agricultural building system. The LSU Agriculture Center, the Mid-West Plan Service, the United States Department of Agriculture and none of the cooperating land-grant universities warranty these plans.