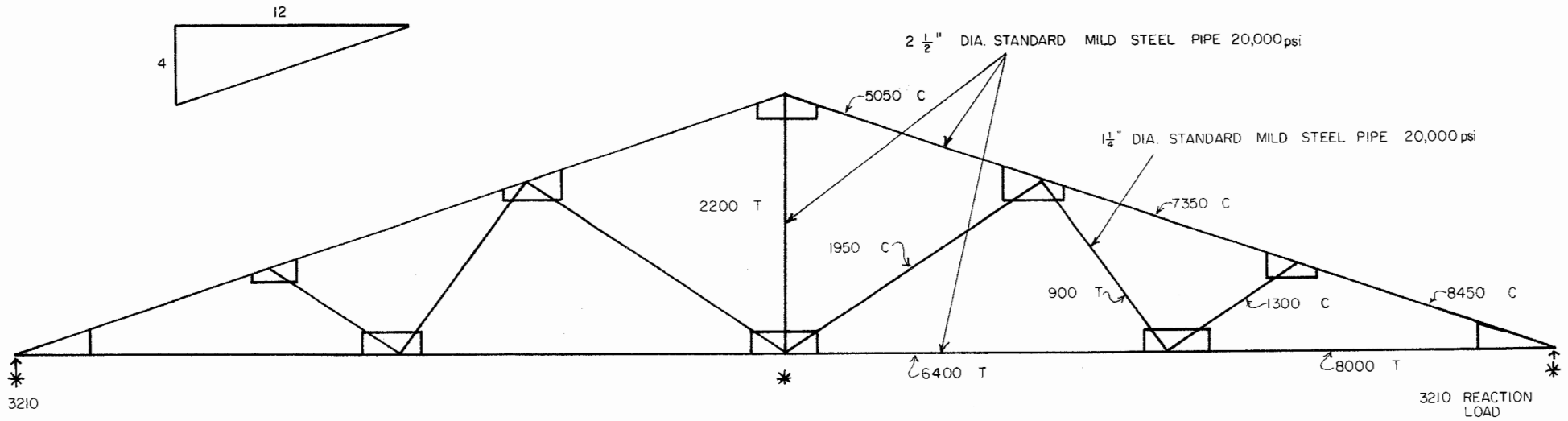


4:12 PITCH - 40 ft. STEEL PIPE TRUSS
 27 lb/ft DESIGN LOAD
 TRUSSES ON 6' CENTER



* CRITICAL JOINTS

NOTE: ALL JOINTS REQUIRE GUSETS
 AND PROPER WELDS.



40 ft. STEEL PIPE TRUSS (4:12 PITCH)

ENGINEER	BAKER	SCALE	1/2" = 1'-0
DRAWN BY	NICHOLS	SHEET	1 OF 1
TRACED BY	JA HAYES	DATE	8-'85 NO. 44-11

7-'90

Disclaimer

This site makes available conceptual plans that can be helpful in developing building layouts and selecting equipment for various agricultural applications. These plans do not necessarily represent the most current technology or construction codes. They are not construction plans and do not replace the need for competent design assistance in developing safe, legal and well-functioning agricultural building system. The LSU Agriculture Center, the Mid-West Plan Service, the United States Department of Agriculture and none of the cooperating land-grant universities warranty these plans.