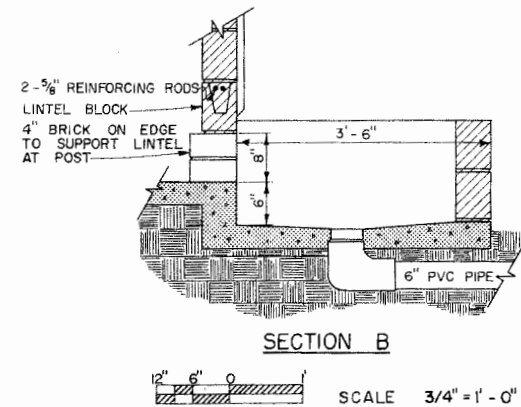
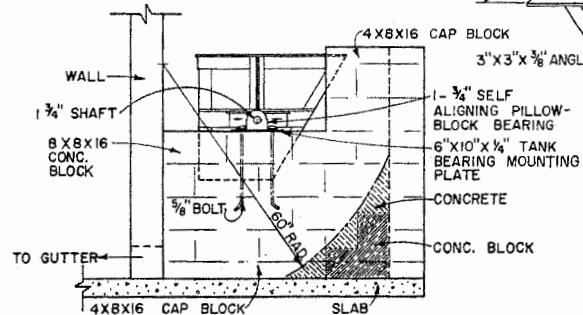
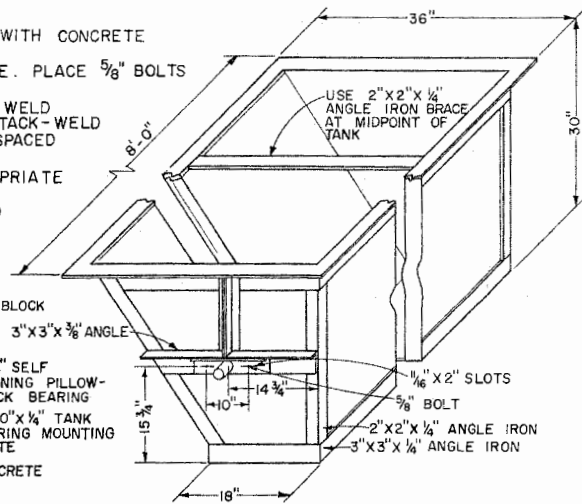


NOTES FOR FLUSH TANK:

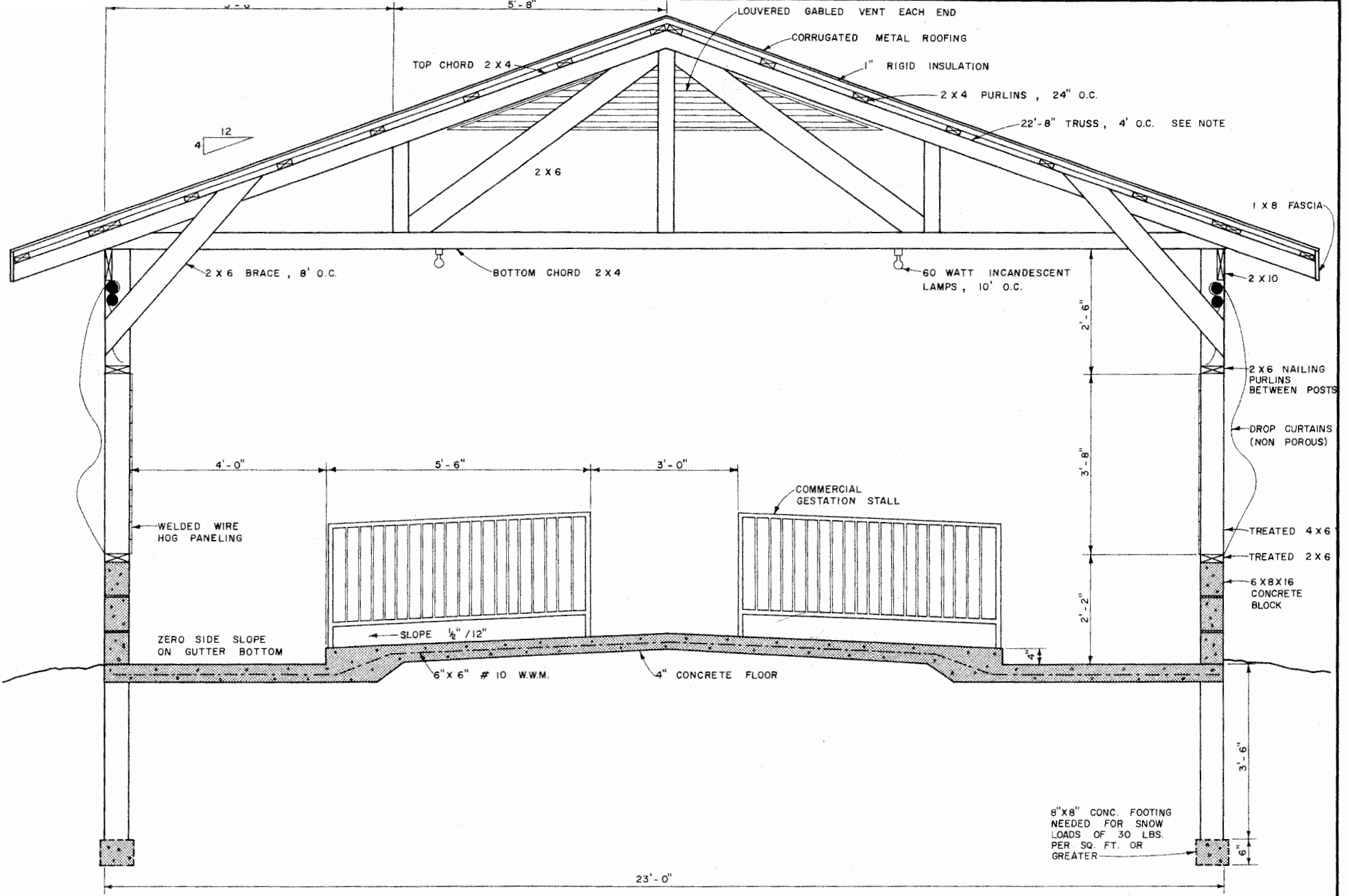
1. FORM CURVED SPLASH SURFACE WITH CONCRETE BLOCKS AND CONCRETE.
2. FILL ALL CORES WITH CONCRETE. PLACE $\frac{5}{8}$ " BOLTS WHEN FILLING CORES.
3. USE 12 GAUGE SHEET METAL. WELD CONTINUOUSLY TO AVOID LEAKAGE. TACK-WELD FRAME TO TANK WITH 2" WELDS SPACED 8" O.C.
4. USE EPOXY PAINT WITH APPROPRIATE PRIMER.
5. ADJUST SHAFT AS NEEDED TO BALANCE TANK. WEIGHTS MAY BE NEEDED FOR FINAL BALANCING.



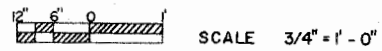
LSU
AgCenter
 Research & Extension

SWINE GESTATION BUILDING


AL '83 EX. 6351 SHEET 1 OF 2



SECTION A



- NOTE:
1. SELECT TRUSS THAT SUPPORTS SNOW AND WIND LOADS FOR YOUR AREA.
 2. THIS BUILDING DESIGNED FOR USE IN MILD CLIMATES.



LSU
AgCenter
Research & Extension

SWINE GESTATION BUILDING		
AL '83	EX. 6351	SHEET 2 OF 2

Disclaimer

This site makes available conceptual plans that can be helpful in developing building layouts and selecting equipment for various agricultural applications. These plans do not necessarily represent the most current technology or construction codes. They are not construction plans and do not replace the need for competent design assistance in developing safe, legal and well-functioning agricultural building system. The LSU Agriculture Center, the Mid-West Plan Service, the United States Department of Agriculture and none of the cooperating land-grant universities warranty these plans.