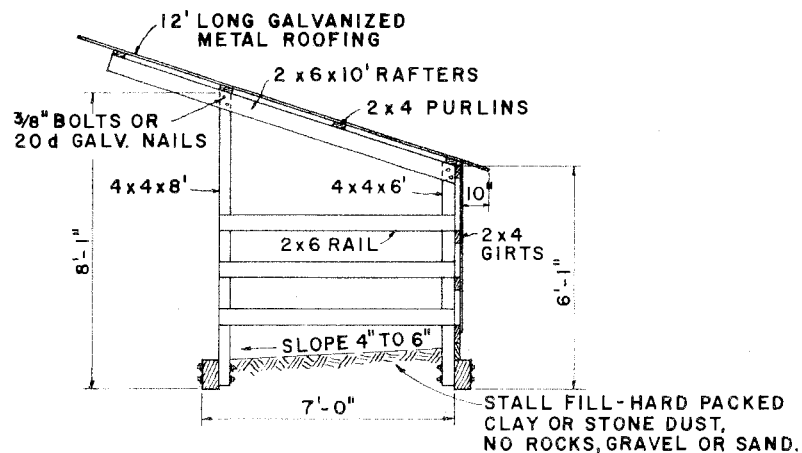
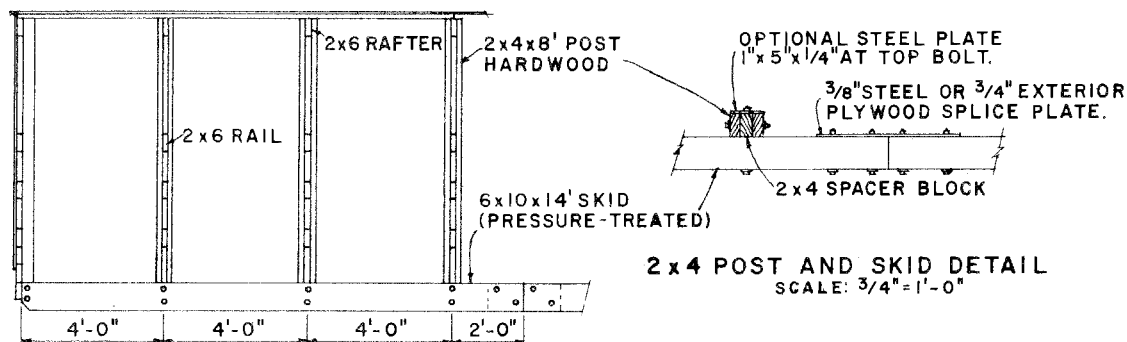


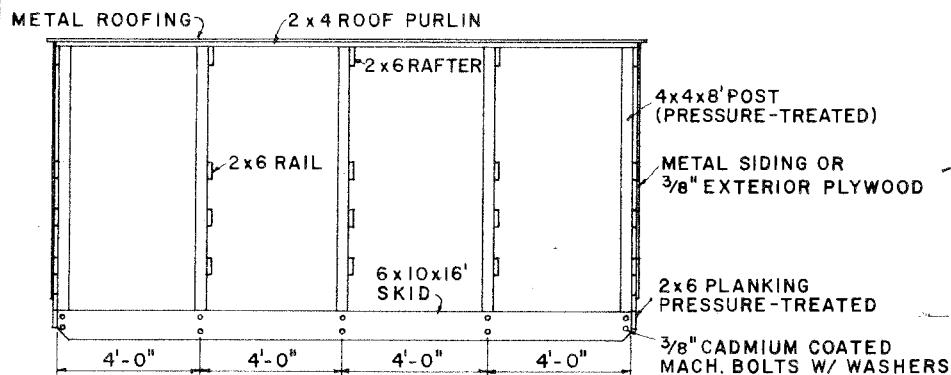
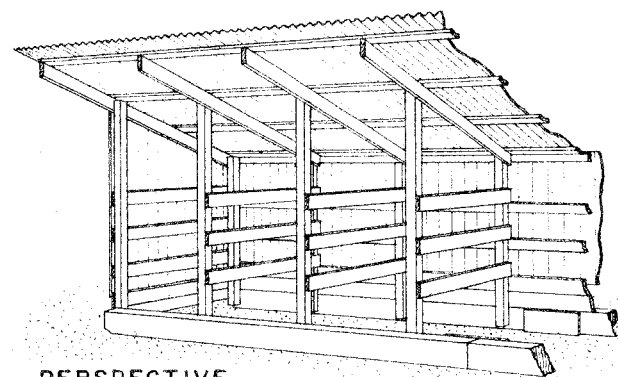
FOUR STALL INTERMEDIATE UNIT (USING 4x4 POSTS)



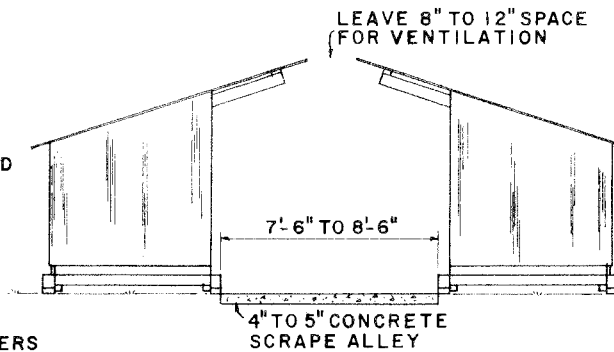
SECTION



THREE STALL END UNIT (USING 2x4 POSTS)



SINGLE FOUR STALL UNIT



SUGGESTED KENNEL ARRANGEMENT

BASED ON: UNIV. OF WISC. PLAN WP2700

SCALE: 3/8" = 1'-0" UNLESS OTHERWISE NOTED.



COW KENNELS

WISC. '73 EX. 6 | 65 SHEET | OF |

Disclaimer

This site makes available conceptual plans that can be helpful in developing building layouts and selecting equipment for various agricultural applications. These plans do not necessarily represent the most current technology or construction codes. They are not construction plans and do not replace the need for competent design assistance in developing safe, legal and well-functioning agricultural building system. The LSU Agriculture Center, the Mid-West Plan Service, the United States Department of Agriculture and none of the cooperating land-grant universities warranty these plans.