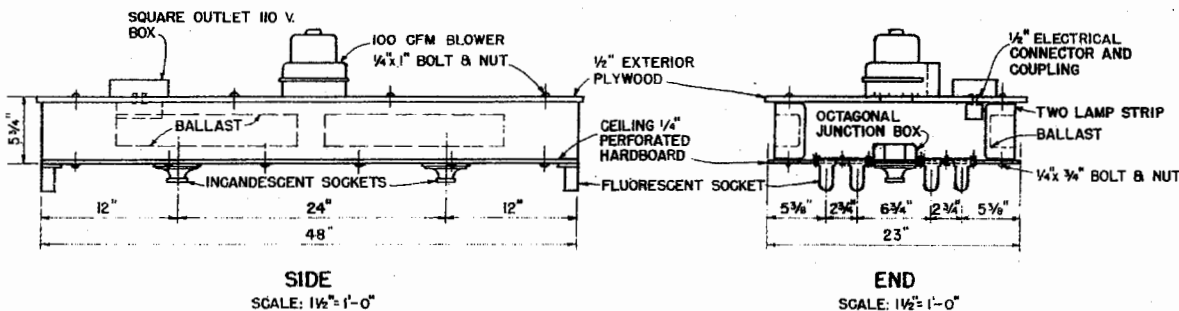
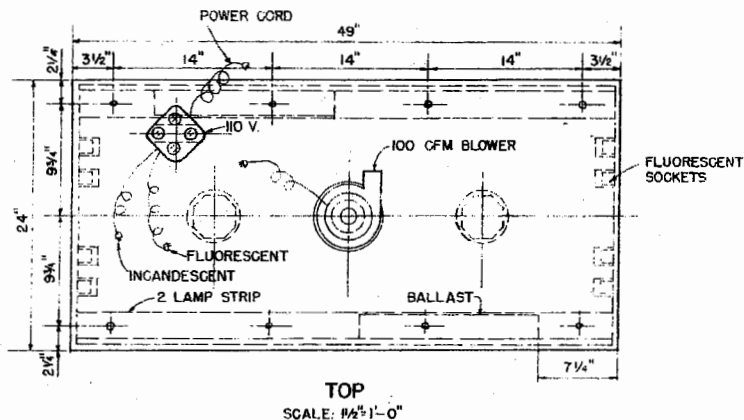


NOTES:  
 SCREWS THRU-OUT TO BE FLAT HEADED (F.H.) AND COUNTERSUNK.  
 ALL FRAMING MEMBERS TO BE 2"x2" DRESSED LUMBER.  
 BOTTOM OF CHAMBER SLOPES, TO DRAIN OFF ANY SPILLAGE OF WATER.  
 FLOOR IS ADJUSTABLE.

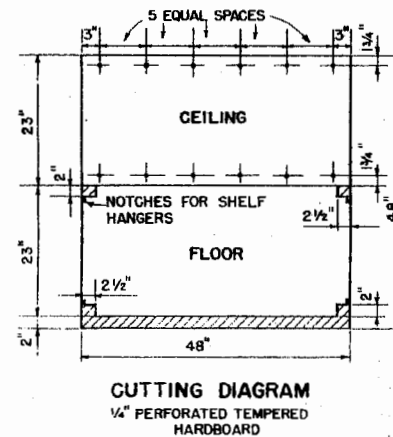
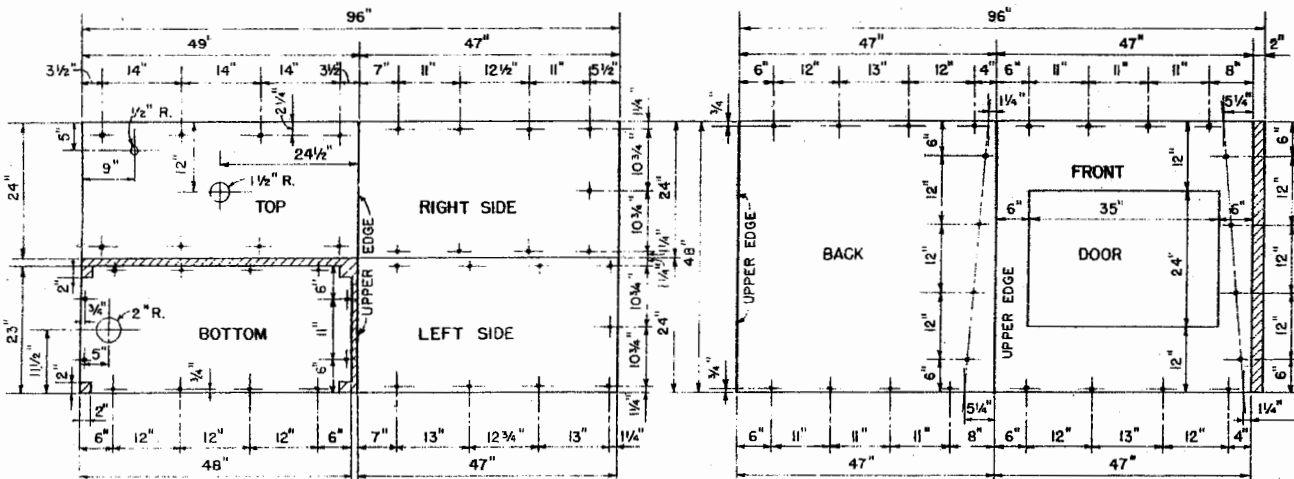
SCALE: 3/4"=1'-0" UNLESS OTHERWISE NOTED.

		
<b>PLANT GROWTH CHAMBER ROOMETTE</b>		
USDA	'66	EX. 5980
		SHEET 1 OF 2



MATERIAL LIST

- 2 PIECES EXTERIOR PLYWOOD 1/2"x4"x8"
- 1 PIECE PERFORATED TEMPERED HARDBOARD 1/4"x4"x4'
- 2 PIECES MOLDING 1/2"x3"x12'
- 1 PIECE SCREEN MOLDING 1/4"x3"x2'
- 1 PIECE WOOD STIFFENER 1"x2"x8"
- 2 PIECES DRESSED LUMBER, LEGS & FRAME, 2"x2"x12'
- 1 PIECE DRESSED LUMBER, FRAME, 2"x2"x8"
- 4 SHELF HANGERS, 24" LONG
- 4 SHELF BRACKETS, 12" LONG
- 1 PIANO HINGE 36" LONG, BRASS COATED
- 1 DOOR LATCH COMPLETE WITH SCREWS
- 4 METAL GLIDES OR CASTERS
- 1 100 CFM BLOWER
- 1 SQUARE OUTLET BOX
- 1 SQUARE OUTLET FACE PLATE
- 1 OUTLET BOX 4"x2"x1 1/2"
- 1 ELECTRICAL CONNECTOR & COUPLING 1/2"
- 2 FLUORESCENT LAMP STRIPS
- 4 FLUORESCENT LAMP SOCKETS
- 2 OCTAGONAL JUNCTION BOXES
- 2 INCANDESCENT SOCKETS
- 4 STEEL ANGLES 2"x2"x3/4"x1/8"
- 8 F.H. WOOD SCREWS NO. 3x1/2"
- 36 F.H. BRASS COATED WOOD SCREWS NO. 3x5/8"
- 14 F.H. WOOD SCREWS NO. 5x1"
- 54 F.H. WOOD SCREWS NO. 10x1 1/2"
- 32 F.H. WOOD SCREWS NO. 5x7/8"
- 8 BOLTS & NUTS 1/4"x1"
- 12 BOLTS & NUTS 1/4"x3/4"



SCALE: 3/4"=1'-0" UNLESS OTHERWISE NOTED.



PLANT GROWTH CHAMBER ROOMETTE

USDA '66 EX. 5980 SHEET 2 OF 2

NOTE: † DENOTES LOCATION OF COUNTERSUNK SCREWS.

## Disclaimer

This site makes available conceptual plans that can be helpful in developing building layouts and selecting equipment for various agricultural applications. These plans do not necessarily represent the most current technology or construction codes. They are not construction plans and do not replace the need for competent design assistance in developing safe, legal and well-functioning agricultural building system. The LSU Agriculture Center, the Mid-West Plan Service, the United States Department of Agriculture and none of the cooperating land-grant universities warranty these plans.