

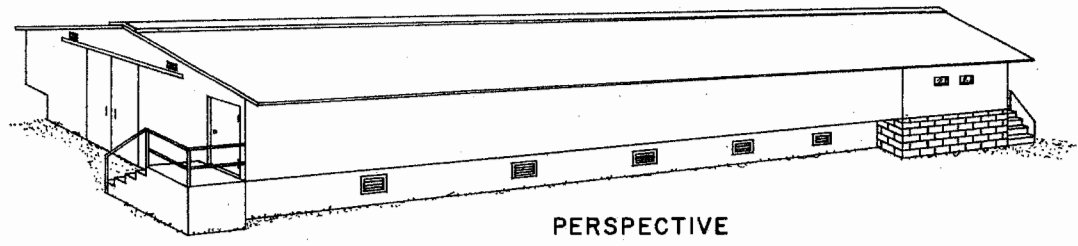
NOTE:
2x4 STUDS - 1'-4" O.C.,
ALL SIDES OF STORAGE RM.

NOTE:
CONTINUOUS AT 1 CFM. PER BIRD
FRESH AIR SYSTEM-TWO INLET
LOUVERS EACH END. TWO PERF.
PE TUBES AT 130' FROM EACH END
ONE EXHAUST FAN EACH SIDE.

PLAN
SCALE: 3/16" = 1'-0"
12" 0 1' 2' 3' 4' 5' 6' 7' 8'

NOTE:
SLOPING WIRE FLOOR, FAN
VENTILATION & MANURE DRYING.

NOTE:
CONSULT LOCAL HEALTH
AND BUILDING CODE
AUTHORITIES BEFORE
STARTING CONSTRUCTION.



PERSPECTIVE

BASED ON: PENN. STATE UNIV. PLAN NO. 727-362

LSU AgCenter <small>Research & Extension</small>		
LAYER HOUSE 15,000 BIRDS		
PA.	'75	6189
		SHEET 1 OF 4

TECO TRIP-L-GRIP FRAMING ANCHORS—TYPE AR, AL OR EQUIV. FASTEN EACH RAFTER TO BEAM.
 2x4x4' LONG WIND BRACE EACH POLE. USE 3-10d POLE BARN NAILS IN EACH END.

USE COMMERCIAL RIDGE VENT FOR CAP

30" DIA. PERFORATED PE TUBE
 2x10 RAFTER 2'-0" O.C.

CORRUGATED METAL INSTALLED IN ACCORDANCE WITH MANUFACTURER'S DIRECTIONS

3" GLASS FIBER BATT OR BLANKET

TECO TRIP-L-GRIP FRAMING ANCHOR, ONE EACH RAFTER TO BEAM—TYPE AR, AL.

1x10 BLOCK BETWEEN RAFTERS

2x4 PURLIN, 2'-6" O.C.

1/2" BOLT STUD TO RAFTER

2x4 PURLIN

2x10 FASCIA

2x4 GIRT

SCREENED SOFFIT
 1/2" MESH HARDWARE CLOTH

2" SLOT AIR INLET TO WALKWAY

1x4 ADJUSTABLE VENT BOARD FOAM PLASTIC

2" GLASS FIBER BATT OR BLANKET.

2x4 STUD, 2'-0" O.C.

2x4 GIRT

4 MIL PE FILM VAPOR BARRIER UNDER PLYWOOD

1/4" EXT. CC GRADE PLYWOOD OUTSIDE WALL & CEILING

1/2" BOLT STUD TO JOIST

2x4 FLOOR JOIST, 2'-0" O.C.

1/4" EXT. CC GRADE PLYWOOD

2" GLASS FIBER BATT OR BLANKET INSULATION

CORR. METAL SIDING

2x6 T & G PRESSURE TREATED SKIRTING

EARTH

3'-6" MIN.

POUR CONCRETE FLOOR 3" OUTSIDE POST—TIE POST TO CONCRETE FLOOR WITH 1/4" REINFORCING BAR U WITH 18" LEGS.

16" DIA. x 8" THICK CONCRETE FOOTING.

1/4" EXT. CC GRADE PLYWOOD CEILING
 4 MIL. PE FILM

1/2" DIA. CARRIAGE BOLT (2 AT EACH POST)

2x4x7" LONG HEADERS BETWEEN POSTS

1x6 ADJUSTABLE VENTILATING DOOR PLASTIC BOARD

HINGE

4x4 PRESSURE TREATED POSTS, 5'-2" O.C.

18 NESTS SET BETWEEN POSTS

3" CLEAR BETWEEN NEST FRONT & JOISTS

1x1/2" FOAM PLASTIC STOP PAD

2'-4"

1x8 EGG STOP

1/2" DIA. BOLT BEAM TO POST

4'-2"

1'-10 3/4"

1/2" PLYWOOD EXT. TYPE AC GRADE

4'-5 1/2"

REINFORCED STEEL POST TIE

4x4 TREATED WOOD PIT CLEANER GUIDE, LAG BOLT TO BLOCK

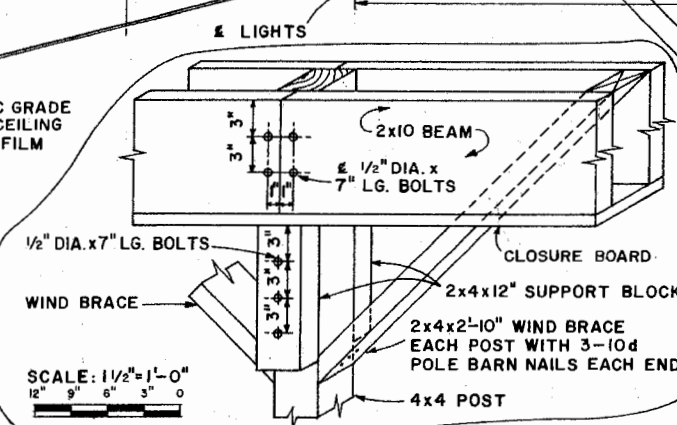
4" CONC. FLOOR

6" CRUSHED STONE

SCALE: 1 1/2" = 1'-0"
 12" 9" 6" 3" 0"

SECTION A-A

SCALE: 3/4" = 1'-0"
 12" 9" 6" 3" 0"



1/2" DIA. x 7" LONG CARRIAGE BOLT.
 1" CLOSURE BOARD BETWEEN POST.
 1/2" DIA. x 7" LONG CARRIAGE BOLT

2x4x12" LONG SUPPORT BLOCK

4x4 PRESSURE TREATED POSTS 12'-0" O.C.

BLDG.

2x10 BEAM

1/2" DIA. x 7" LONG BOLTS—BEAM POST CONNECTION.

2x4x12" SUPPORT BLOCK

CIRCULATING & DRYING FAN, 4,000 CFM FREE AIR, HANG FROM FLOOR JOIST. MOUNT WITH BOTTOM 6" ABOVE PIT CLEANER

2x6 CAP, SPIKE TO GUIDES.

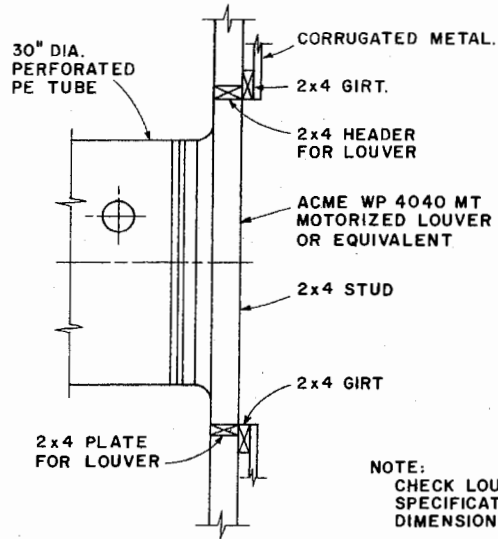
2x6 PIT CLEANER GUIDES

CLEAR



LAYER HOUSE
 15,000 BIRDS

PA. '75 6189 SHEET 2 OF 4



NOTE:
CHECK LOUVER MANUFACTURERS
SPECIFICATIONS FOR EXACT
DIMENSIONS.

INTAKE LOUVER FRAMING DETAIL

VENTILATION CONTROL SEQUENCE

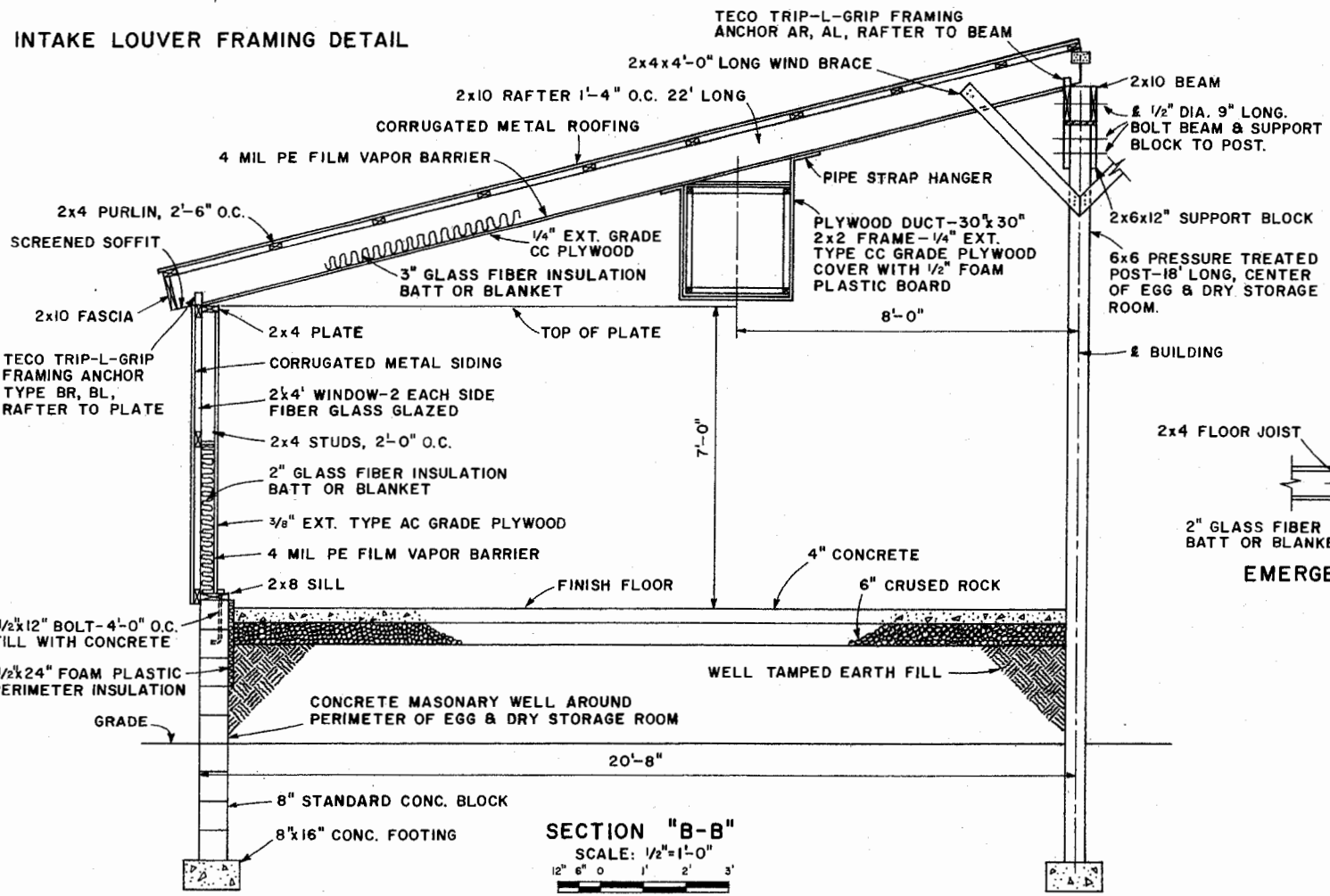
1. CENTER EXHAUST FAN ON EACH SIDE ON LOW SPEED CONT. LOUVERS IN EACH END OPEN. SLOT INLETS CLOSED. 7,500 CFM.
2. CENTER EXHAUST FANS SWITCH TO HIGH SPEED. 15,000 CFM.
3. TWO SINGLE SPEED FANS ON. 30,000 CFM.
4. TWO SINGLE SPEED FANS ON. SLOT INLETS OPEN. 45,000 CFM.
5. TWO SINGLE SPEED FANS ON. 60,000 CFM.
6. TWO SINGLE SPEED FANS ON. 75,000 CFM.

EQUIPMENT

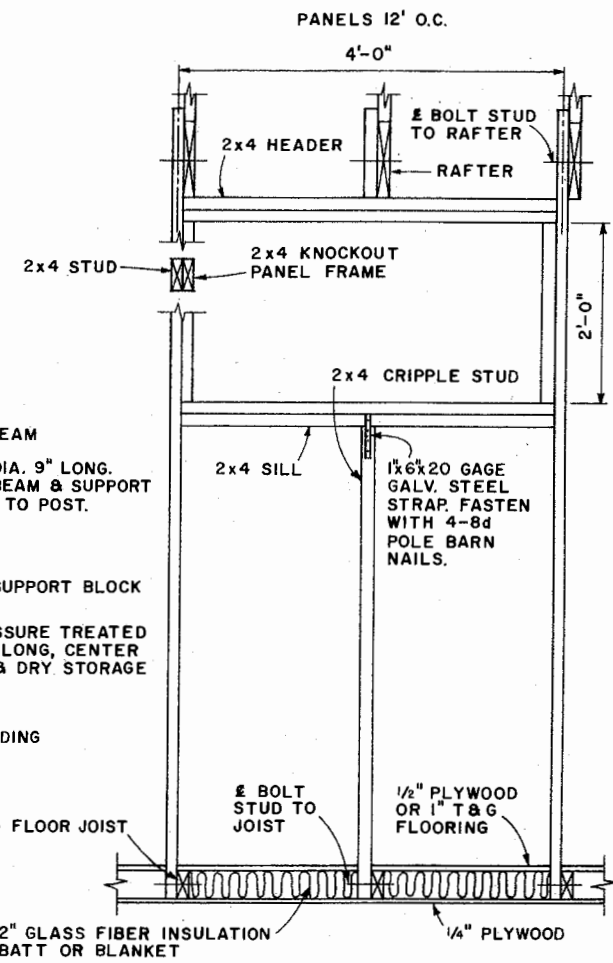
- FANS: 2 ACME DC 30 G 25 (TWO SPEED) 15,000 CFM.
8 ACME DC 30 G (SINGLE SPEED) 60,000 CFM.
- LOUVERS: 4 ACME WP 4040 MT MOTORIZED INLET (20,000 CFM)
SHUTTER FOR 30" DIA. PE INLET TUBE

OR EQUIVALENT EQUIPMENT
CONTROL FANS & LOUVERS WITH 3-2 STAGE THERMOSTATS
PROVIDE 200 AMP ELECTRIC SERVICE TO THE BUILDING.

NOTE:
SET KNOCKOUT PANEL IN FRAMED
OPENING. SECURE WITH 4 BUTTONS,
ONE CENTERED EACH SIDE ON INSIDE
WALL. LAP CORRUGATED METAL ON
SIDES, LAP 2" ON BOTTOM, EXTEND
TO SOFFIT.



SECTION "B-B"
SCALE: 1/2"=1'-0"
12" 6" 0 1' 2' 3'

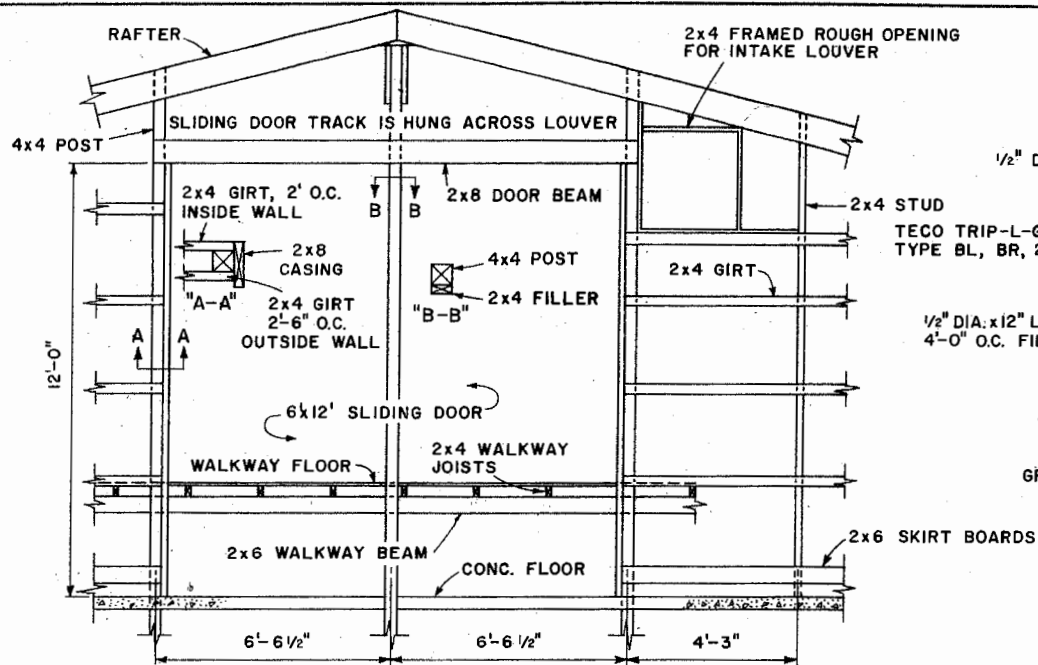


EMERGENCY KNOCKOUT PANEL DETAIL

SCALE: 1"=1'-0" UNLESS
OTHERWISE NOTED
12" 9" 6" 3" 0 1'

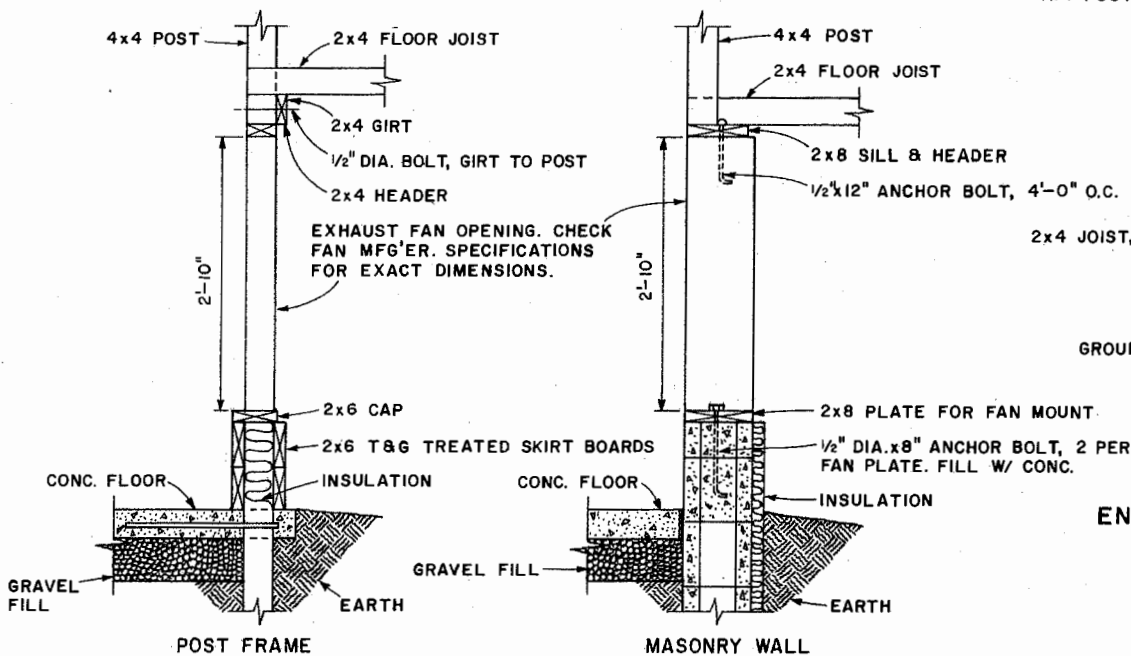


LAYER HOUSE
15,000 BIRDS



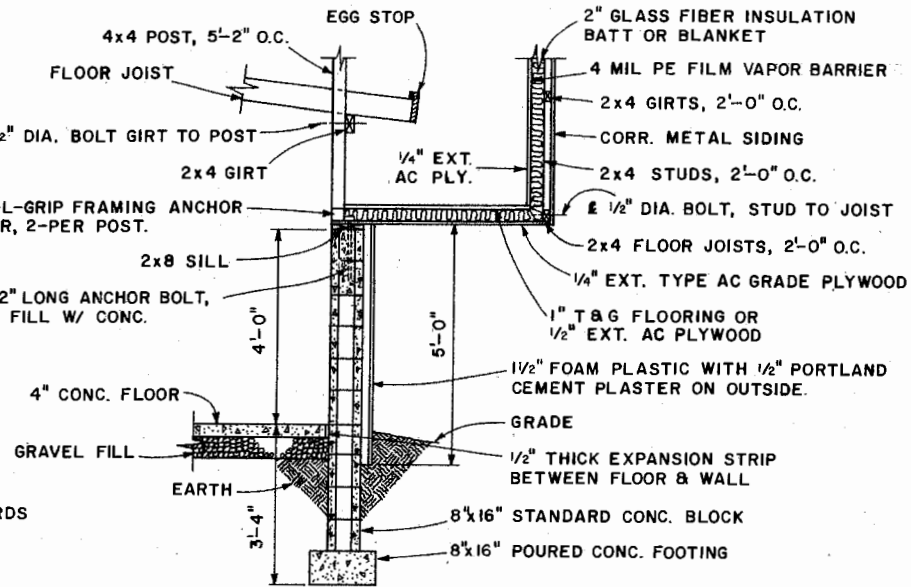
END & DOOR FRAMING

SCALE: $\frac{3}{8}" = 1'-0"$
 12" 6" 0" 1' 2' 3'

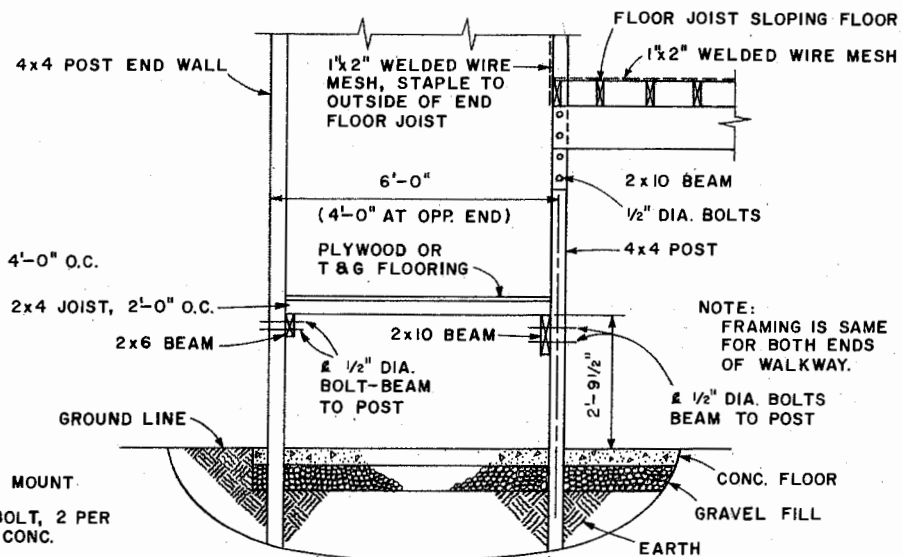


FAN OPENING DETAILS

SCALE: $1" = 1'-0"$
 12" 9" 6" 3" 0" 1'



MASONRY PIT WALL OPTION



END WALKWAY FRAMING DETAIL AT BUILDING

NOTE: FRAMING IS SAME FOR BOTH ENDS OF WALKWAY.



LAYER HOUSE
 15,000 BIRDS

SCALE: $\frac{1}{2}" = 1'-0"$ UNLESS OTHERWISE NOTED.
 12" 6" 0" 1' 2' 3'

Disclaimer

This site makes available conceptual plans that can be helpful in developing building layouts and selecting equipment for various agricultural applications. These plans do not necessarily represent the most current technology or construction codes. They are not construction plans and do not replace the need for competent design assistance in developing safe, legal and well-functioning agricultural building system. The LSU Agriculture Center, the Mid-West Plan Service, the United States Department of Agriculture and none of the cooperating land-grant universities warranty these plans.