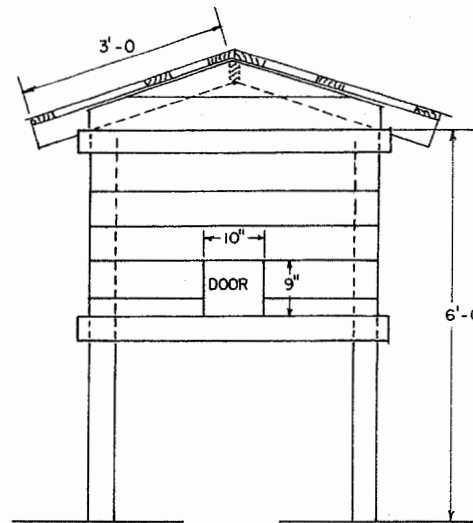
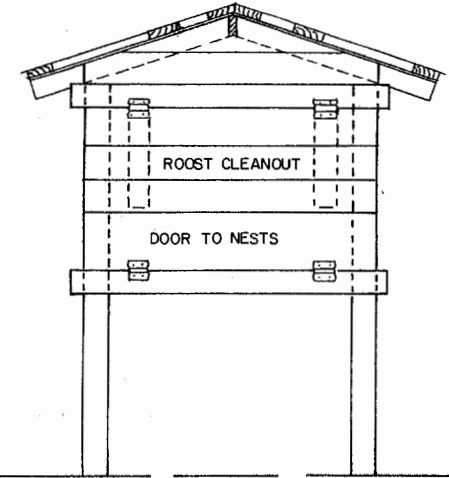


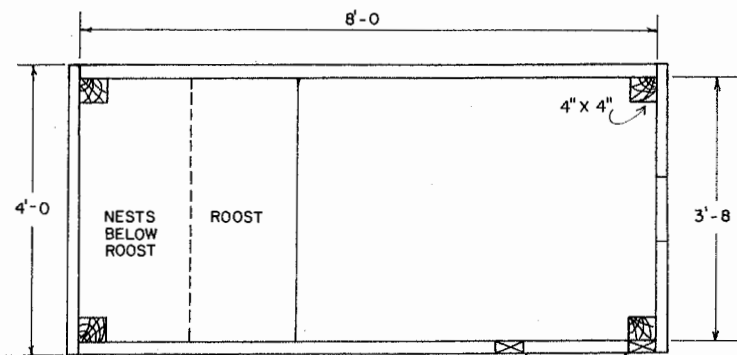
SOUTH ELEVATION



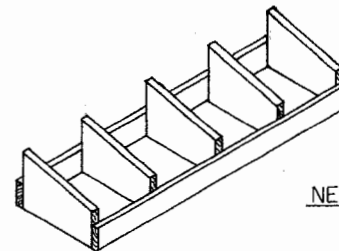
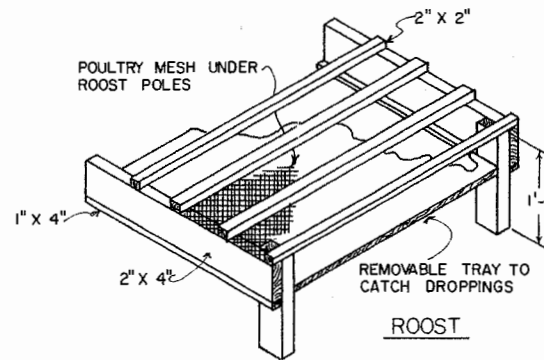
WEST ELEVATION




EAST ELEVATION



PLAN



NO. PIECES	SIZE	USE
4	4" X 4" X 6"	LEGS
3	2" X 4" X 8"	BOTTOM PLATE
3	2" X 4" X 8"	TOP PLATE
5	2" X 4" X 6"	RAFTERS
7	1" X 4" X 10"	NAILING STRIPS & RIDGE
9	1" X 6" X 8"	FLOOR
6	1" X 6" X 8"	ENDS
1	1" X 4" X 8"	DOOR FRAME
1	2" X 4" X 12"	DOOR STOP & ROOST SUPPORT
2	2" X 2" X 8"	ROOSTS
1	1" X 4" X 6"	SKID FOR DROPPING BOARDS
3	1" X 6" X 8"	DROPPING BOARDS
1	1" X 8" X 8"	NEST PARTITIONS
1	1" X 4" X 8"	NEST FRONT & BACK
2	1" X 4" X 6"	EXTRA BRACES
20 LIN. FT.	1" POULTRY MESH	SIDES & UNDER ROOST POLES
3 SHEETS	26" X 9"	ROOF - ALUM. OR GALV. IRON
3 PAIRS	4"	HINGES



**LSU**  
**AgCenter**  
Research & Extension

**BACKYARD POULTRY HOUSE**

ENGINEER RP KAY	SCALE 3/4" = 1'-0"
DRAWN BY KB CAMPBELL	SHEET 1 OF 1
TRACED BY BE HICKMAN	DATE 12-51
	NO. 74-1

RETRACED BY: JA HAYES (5-90)

## Disclaimer

This site makes available conceptual plans that can be helpful in developing building layouts and selecting equipment for various agricultural applications. These plans do not necessarily represent the most current technology or construction codes. They are not construction plans and do not replace the need for competent design assistance in developing safe, legal and well-functioning agricultural building system. The LSU Agriculture Center, the Mid-West Plan Service, the United States Department of Agriculture and none of the cooperating land-grant universities warranty these plans.