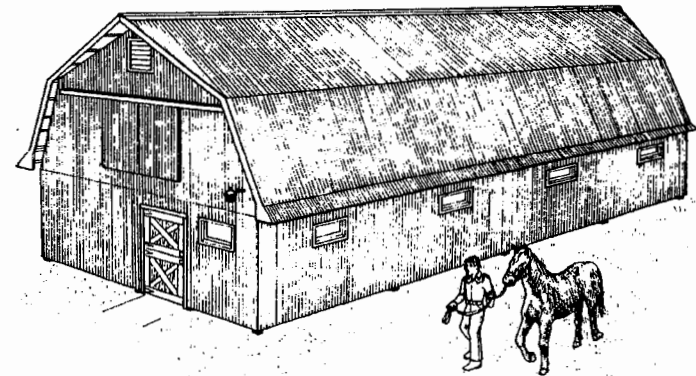
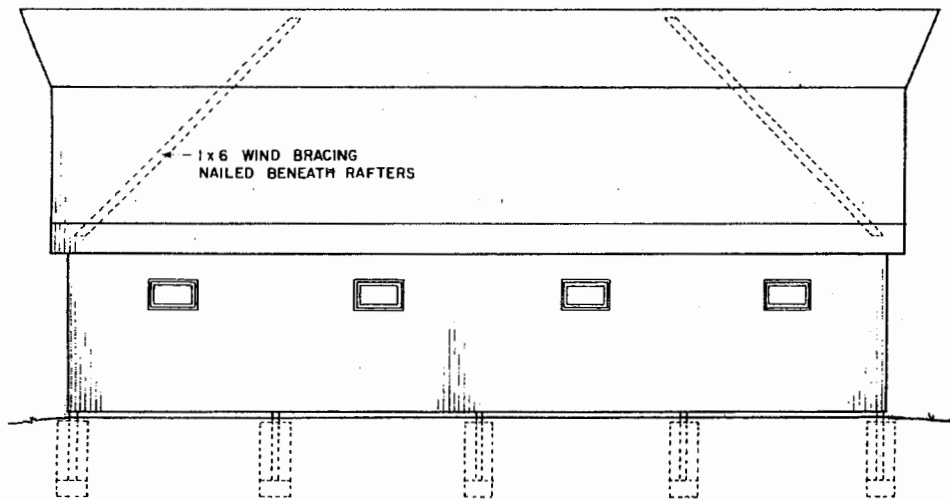


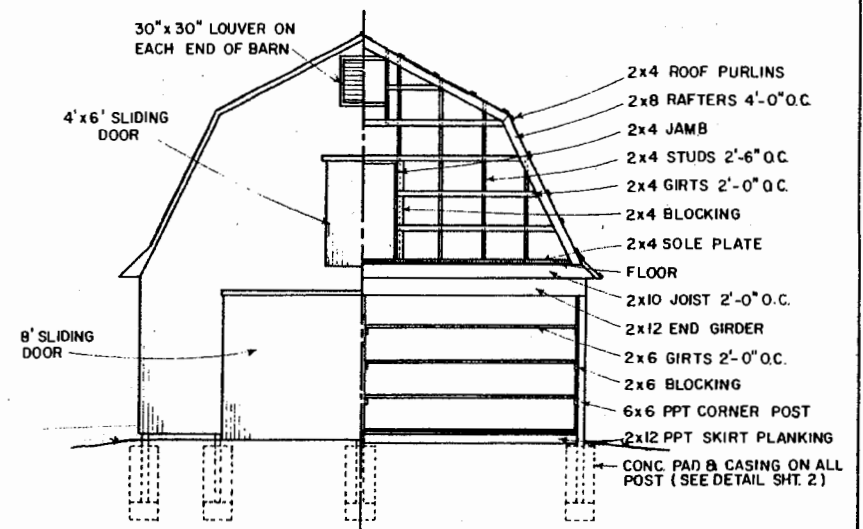
FLOOR PLAN



PERSPECTIVE



SIDE ELEVATION



END ELEVATION & FRAMING

NOTES:

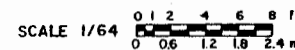
- 1) ROOF DESIGN LOAD 40 psf
MOW FLOOR DESIGN LOAD 70 psf.
LUMBER BENDING STRESS 1500 psi.
- 2) ALL POST & PLANKING IN CONTACT WITH THE GROUND OR MANURE TO BE PRESSURE PRESERVATIVE TREATED (PPT)

NOTE:

CONSULT LOCAL HEALTH AND BUILDING CODE AUTHORITIES BEFORE STARTING CONSTRUCTION

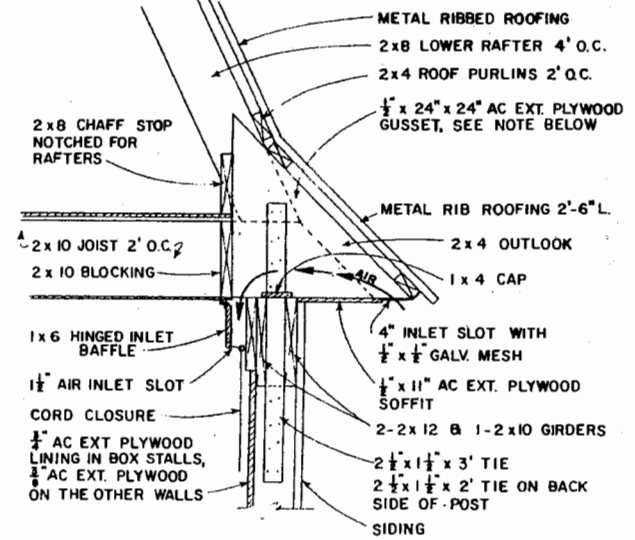
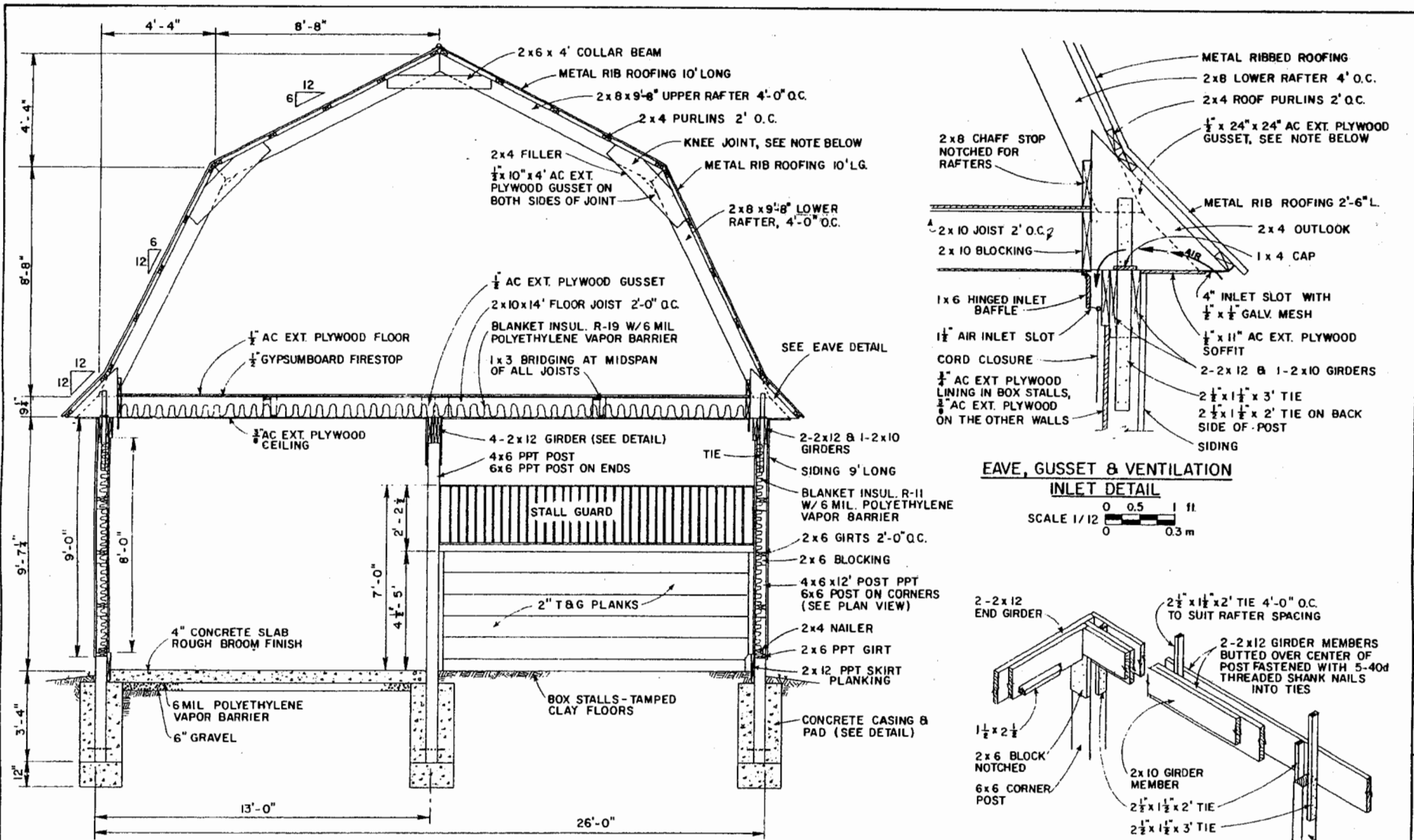
BASED ON: CORNELL UNIV. PLAN 845

This plan is modified and extended from Plan No. 6024 developed in New Jersey.

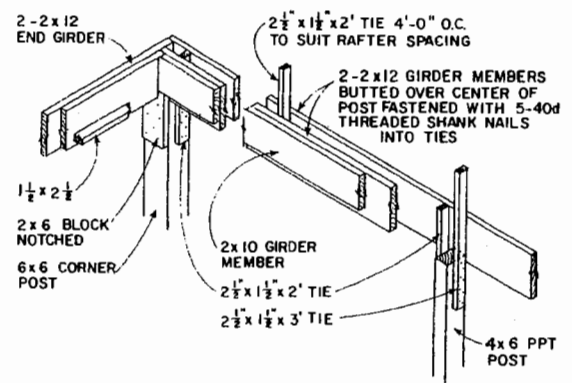


HORSE BARN - 26' x 48'
GAMBREL ROOF

N.Y. '77 6285 SHEET 1 OF 3

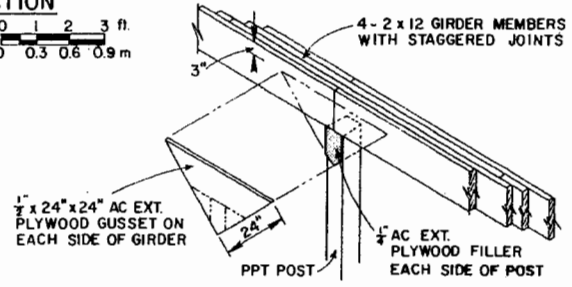


EAVE, GUSSET & VENTILATION INLET DETAIL
 SCALE 1/12
 0 0.5 1 ft
 0 0.3 m

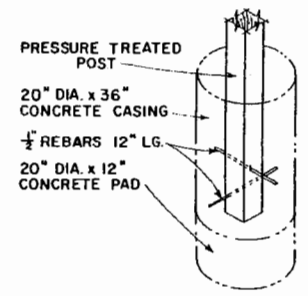


SIDE POST & GIRDER DETAIL

SECTION
 SCALE 1/32
 0 1 2 3 ft
 0 0.3 0.6 0.9 m



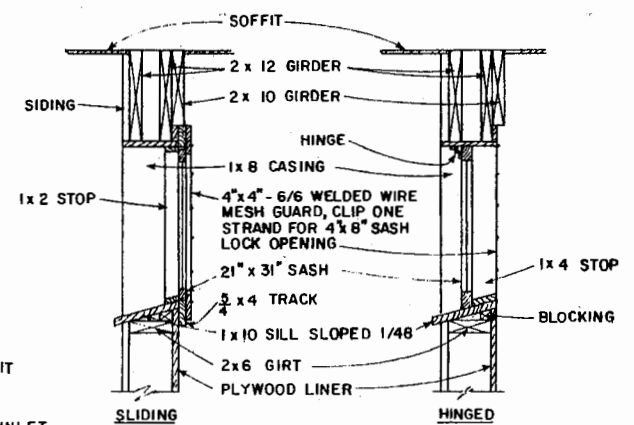
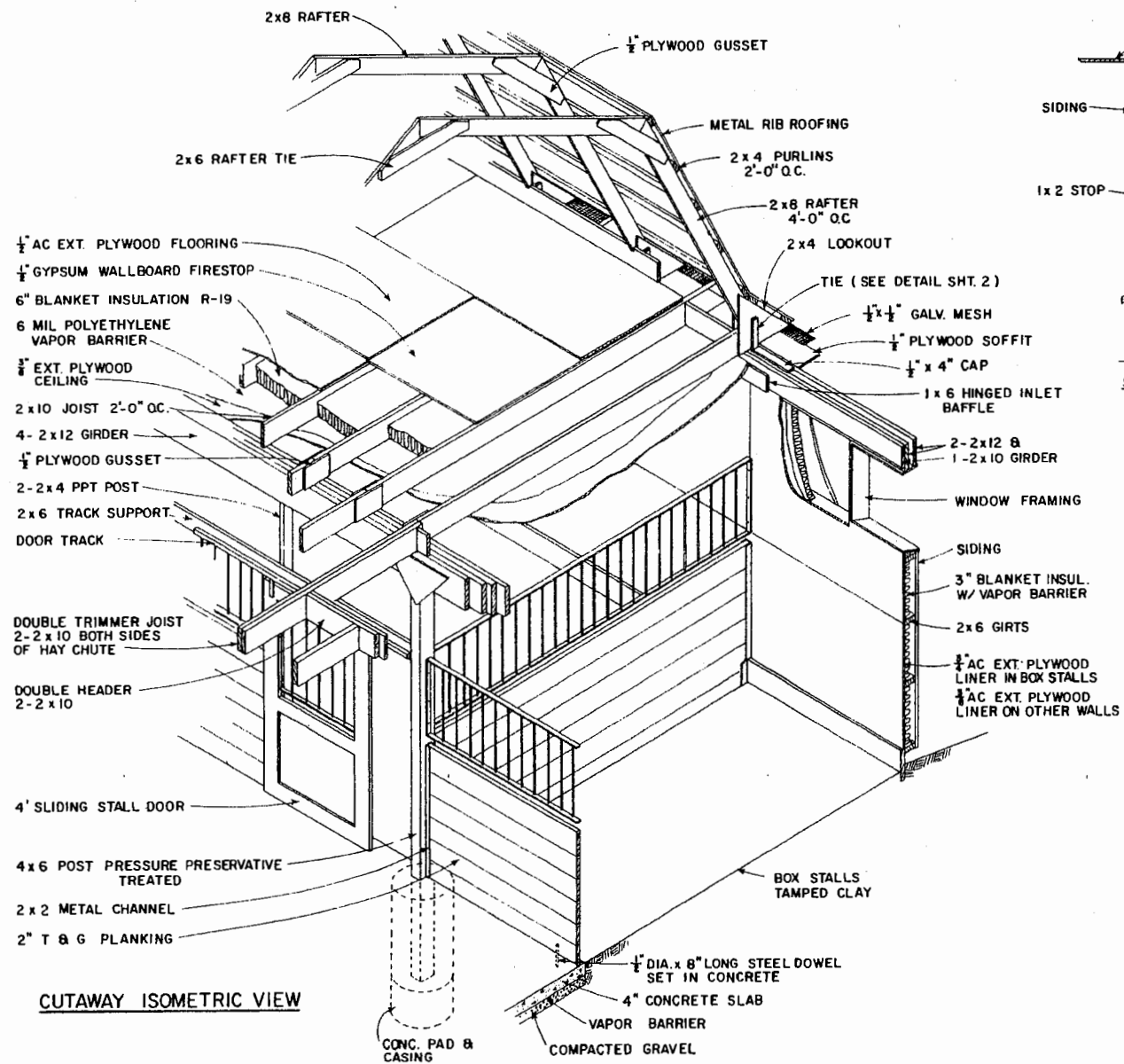
CENTER POST & GIRDER DETAIL



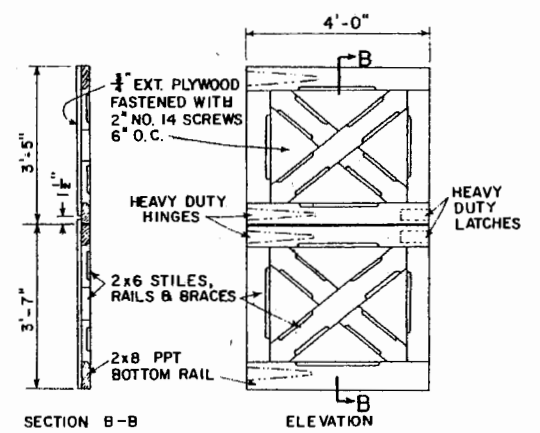
CASING & PAD DETAIL

NOTE:
 ALL GUSSETS ARE NAILED WITH 8d THREADED SHANK NAILS IN A 3"x3" GRID PATTERN WITH 1" EDGE AND END CLEARANCE.

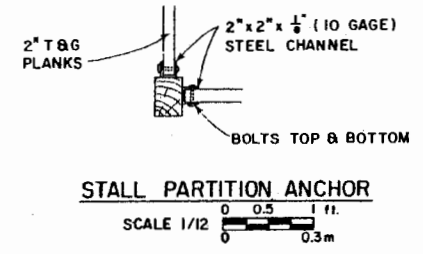
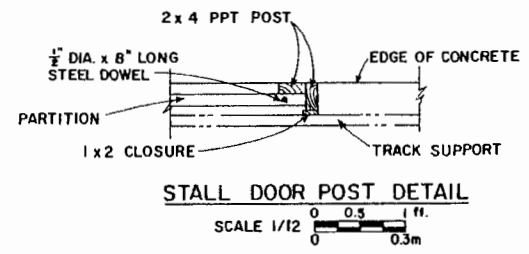
HORSE BARN-26'x48' GAMBREL ROOF		
N.Y. '77	6285	SHEET 2 OF 3



WINDOW DETAIL
SCALE 1/12
0 0.5 1 ft.
0 0.3 0.6 m



DOOR DETAIL
SCALE 1/24
0 1 2 ft.
0 0.3 0.6 m



LSU AgCenter
Lafayette, Louisiana

HORSE BARN - 26' x 48'
GAMBREL ROOF

N.Y. '77 6285 SHEET 3 OF 3

Disclaimer

This site makes available conceptual plans that can be helpful in developing building layouts and selecting equipment for various agricultural applications. These plans do not necessarily represent the most current technology or construction codes. They are not construction plans and do not replace the need for competent design assistance in developing safe, legal and well-functioning agricultural building system. The LSU Agriculture Center, the Mid-West Plan Service, the United States Department of Agriculture and none of the cooperating land-grant universities warranty these plans.