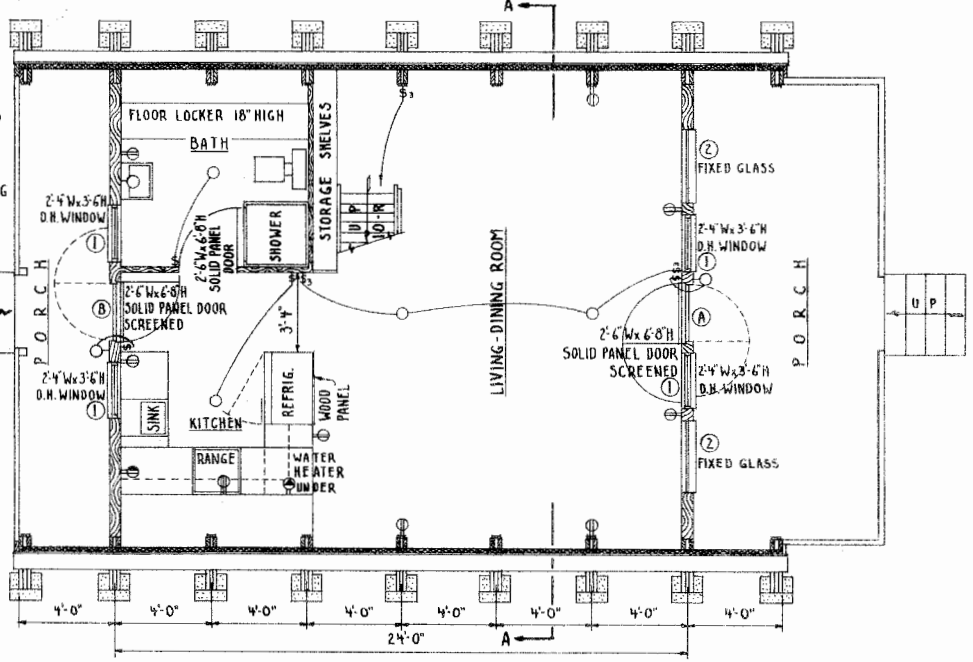


SECOND FLOOR PLAN

SCALE 1/4" = 1'-0"

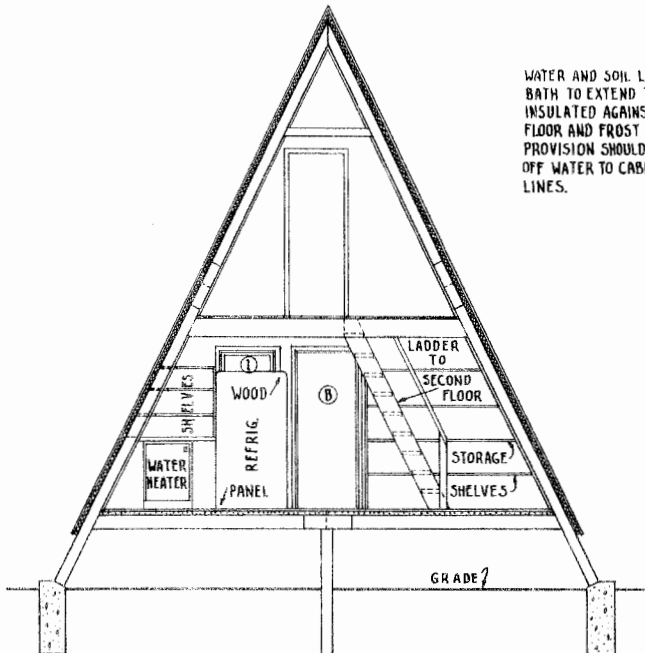
REAR WALL AT SECOND FLOOR MAY BE CONSTRUCTED AT END SET OF RAFTERS THEREBY INCREASING LENGTH OF BEDROOM. IF THIS IS DONE SUBSTITUTE A DOUBLE HUNG WINDOW FOR DOOR.



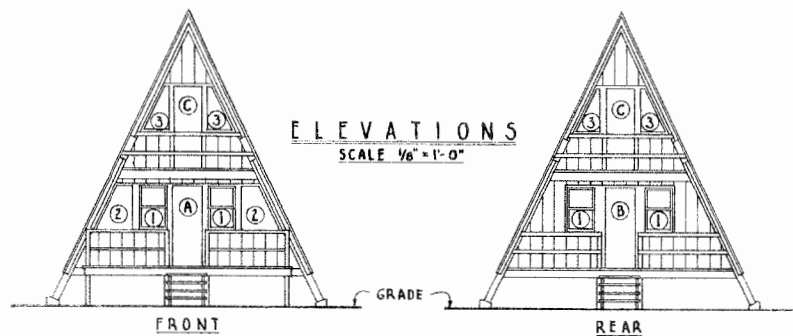
FIRST FLOOR PLAN

SCALE 1/4" = 1'-0"

WATER AND SOIL LINES FOR KITCHEN AND BATH TO EXTEND THRU FLOOR AND BE INSULATED AGAINST FREEZING BETWEEN FLOOR AND FROST LINE BELOW GRADE. PROVISION SHOULD BE MADE FOR SHUTTING OFF WATER TO CABIN AND DRAINING ALL LINES.



SECTION A-A  
SCALE 1/4" = 1'-0"



ELEVATIONS  
SCALE 1/8" = 1'-0"

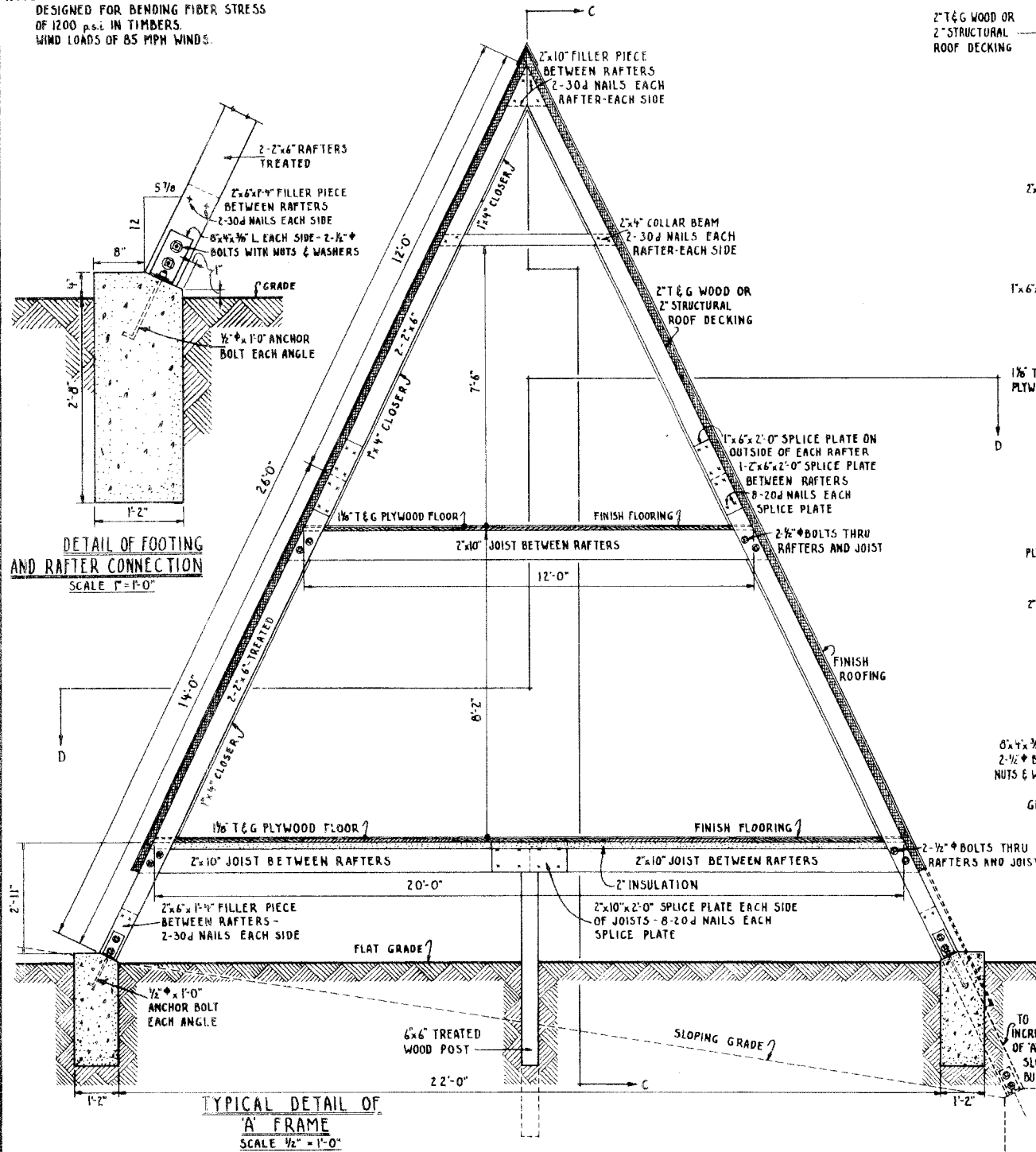
FRONT

REAR



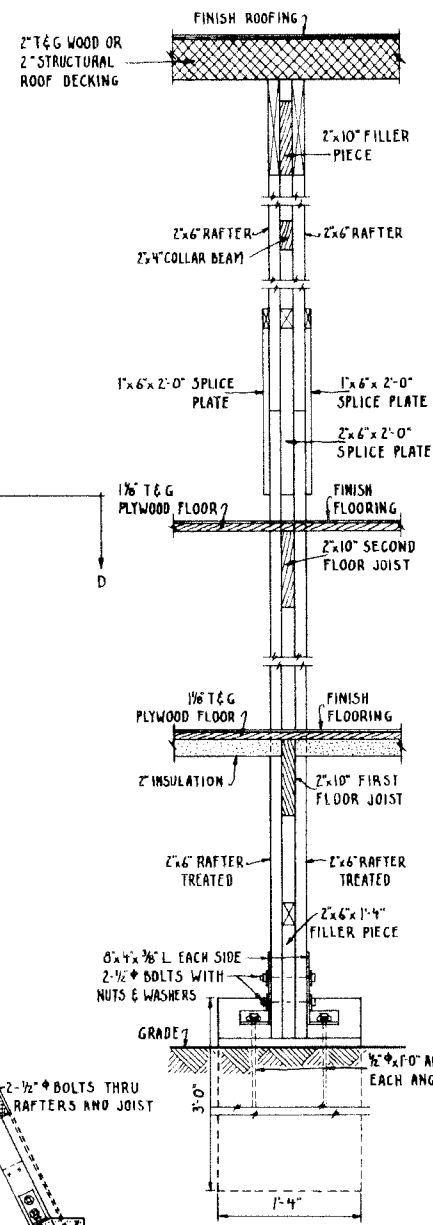
24'-0" A FRAME CABIN

NOTE -  
DESIGNED FOR BENDING FIBER STRESS  
OF 1200 psi IN TIMBERS.  
WIND LOADS OF 85 MPH WINDS.

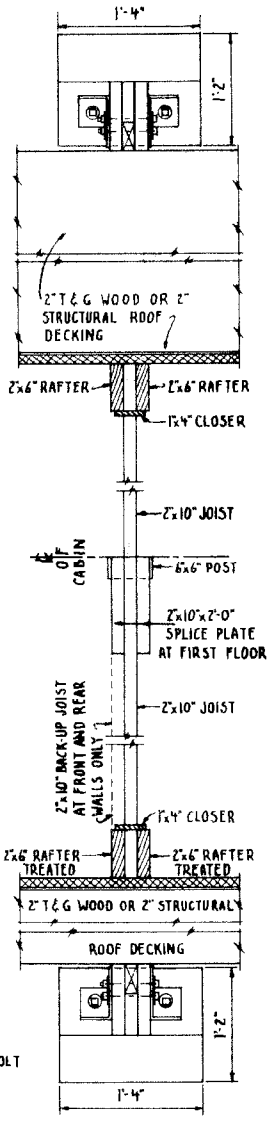


TYPICAL DETAIL OF  
A FRAME  
SCALE 1/2" = 1'-0"

DETAIL OF FOOTING  
AND RAFTER CONNECTION  
SCALE 1" = 1'-0"



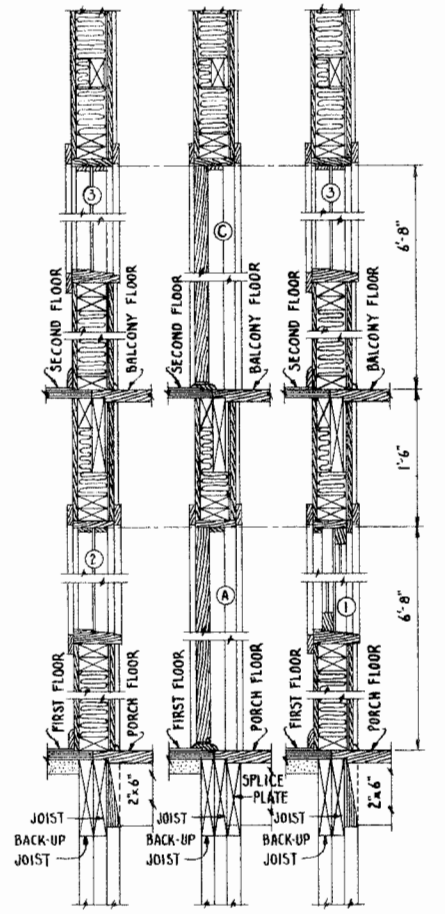
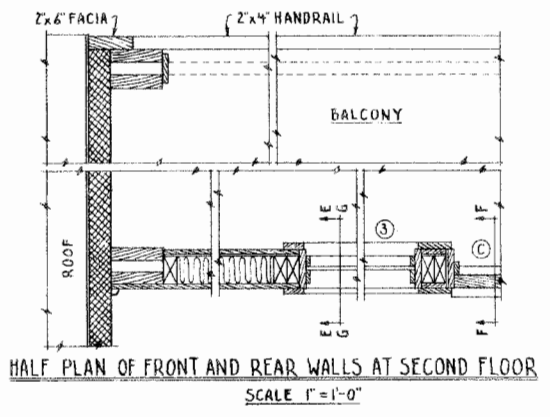
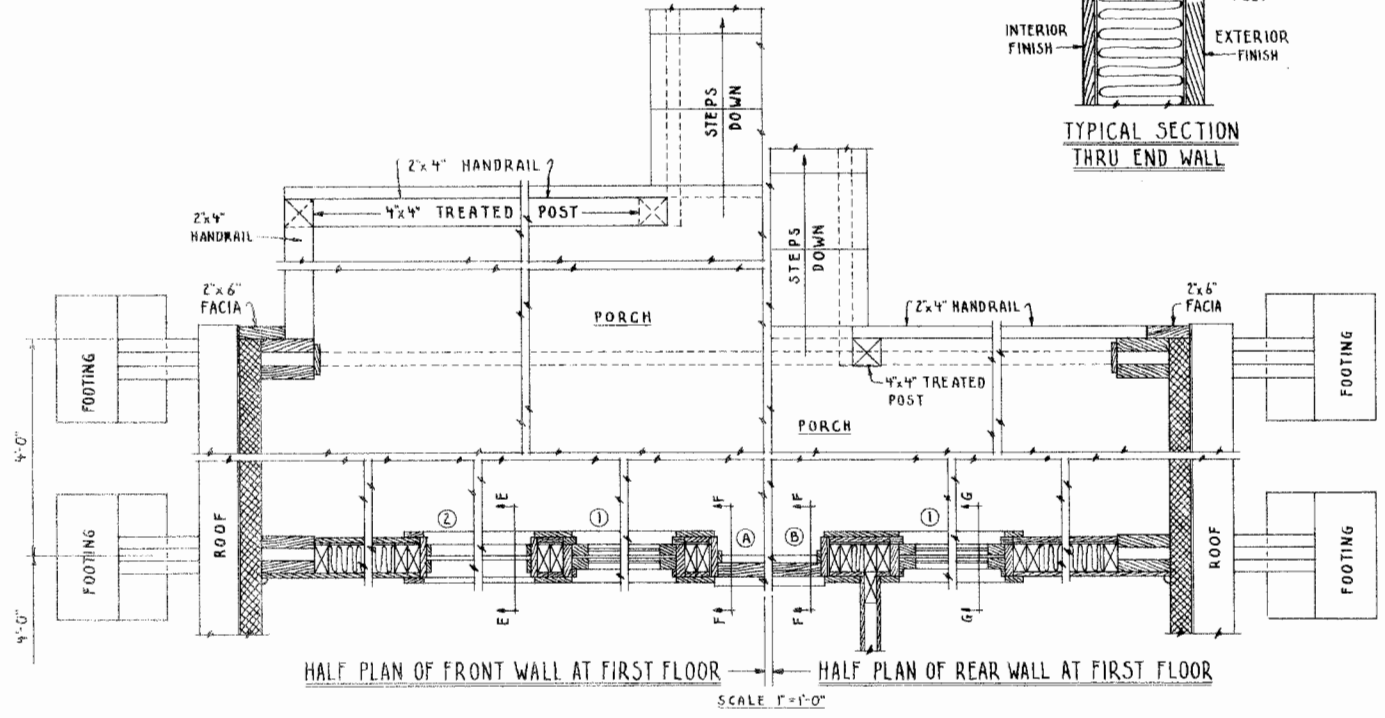
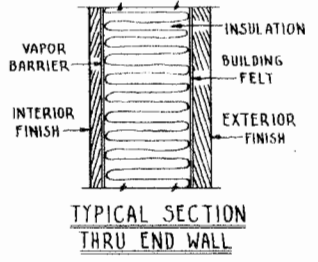
SECTION AT C-C  
TYPICAL AT RAFTER  
SCALE 1" = 1'-0"



PLAN AT D-D  
TYPICAL AT RAFTER  
SCALE 1" = 1'-0"



24'-0" A FRAME CABIN



NOTE - PORCH CONSTRUCTION - 2" PLANKING ON 2x6 FRAMING - 2'-0" O.C.



24'-0" 'A' FRAME CABIN

## Disclaimer

This site makes available conceptual plans that can be helpful in developing building layouts and selecting equipment for various agricultural applications. These plans do not necessarily represent the most current technology or construction codes. They are not construction plans and do not replace the need for competent design assistance in developing safe, legal and well-functioning agricultural building system. The LSU Agriculture Center, the Mid-West Plan Service, the United States Department of Agriculture and none of the cooperating land-grant universities warranty these plans.