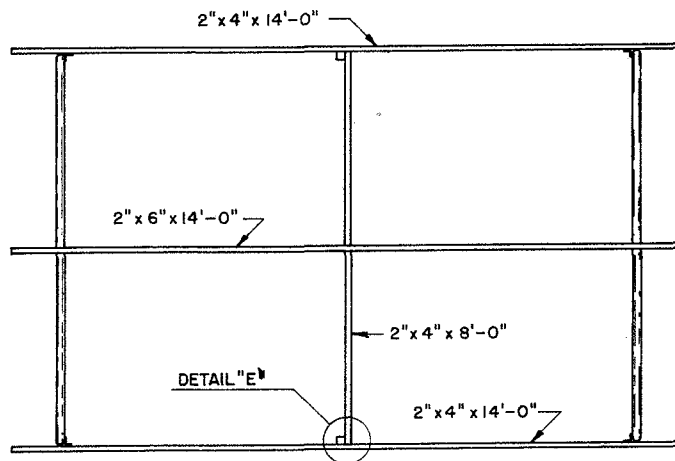
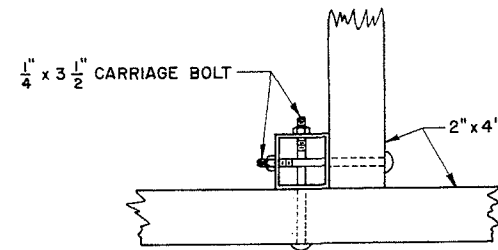


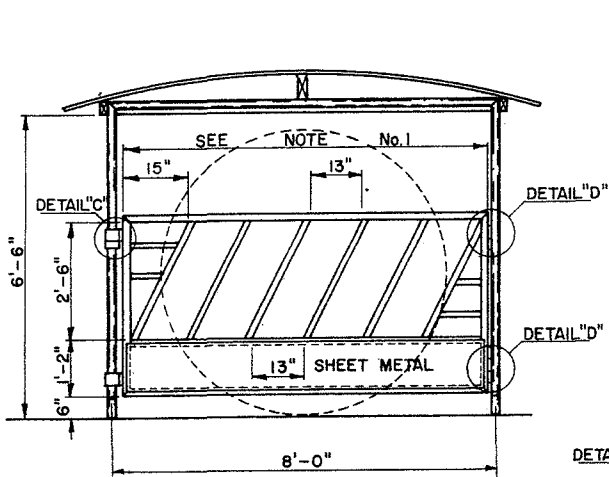
DETAIL "G"
Scale: $\frac{3}{8} = 1"$



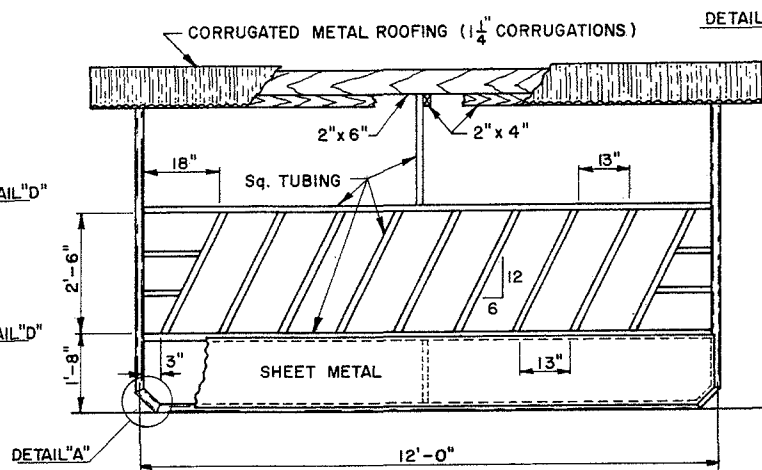
ROOF FRAMING



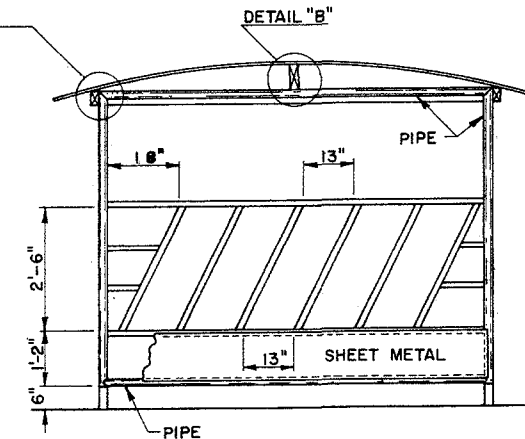
DETAIL "E"
Scale: $\frac{3}{8} = 1"$
1" 2" 3"



END VIEW



SIDE VIEW



END VIEW

NOTE.

1. This Dimension To Be Determined After Structure Has Been Welded Together To Insure Proper Fit.
2. Feeder Designed To Accept 7' Dia. Bales — If Smaller Bales Are To Be Fed, The 8' Dimension Should Be Reduced To Bale Diameter Plus 12".
3. To Prevent Feeder From Overturning In High Winds, Fasten Securely To Ground.
4. If Feeder Is To Be Used On Soft Or Spongy Soil, The Runners Should Be Made From 4" Dia. Pipe.



Except As Noted, Scale: $\frac{1}{2} = 1'-0"$



COVERED FEEDER
FOR ROUND BALES

OK. '76 6245 SHEET 2 OF 2

Disclaimer

This site makes available conceptual plans that can be helpful in developing building layouts and selecting equipment for various agricultural applications. These plans do not necessarily represent the most current technology or construction codes. They are not construction plans and do not replace the need for competent design assistance in developing safe, legal and well-functioning agricultural building system. The LSU Agriculture Center, the Mid-West Plan Service, the United States Department of Agriculture and none of the cooperating land-grant universities warranty these plans.