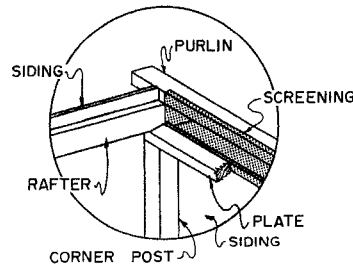


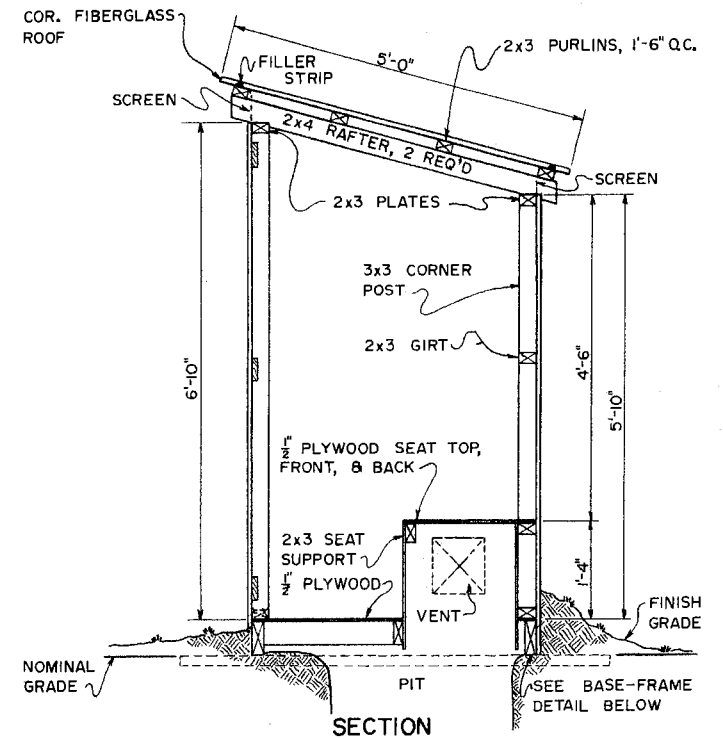
FRAMING ISOMETRIC



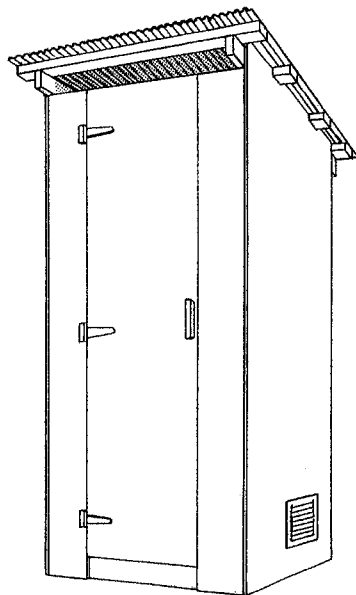
SCREENING DETAIL

NOTES:

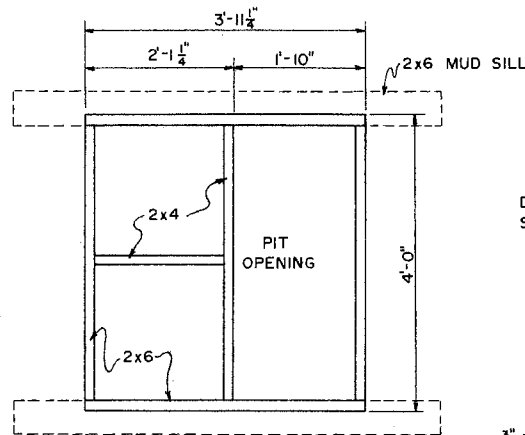
1. ALL PLYWOOD TO BE EXTERIOR TYPE.
2. ALL WOOD BELOW SEAT LEVEL SHOULD BE PRESERVATIVE TREATED.
3. ALL FASTENINGS AND METAL PARTS TO BE CORROSION RESISTANT.



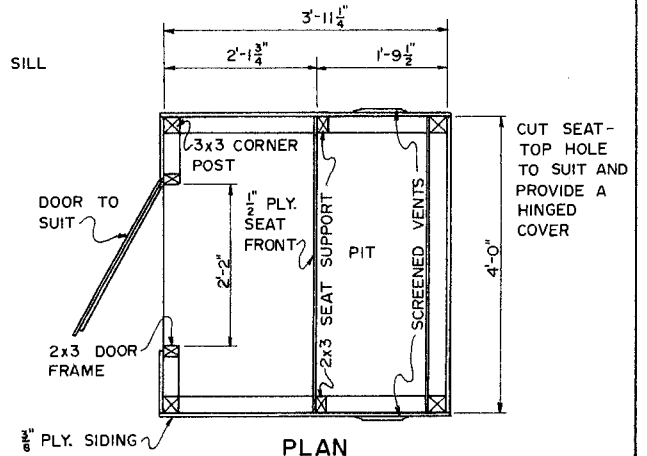
SECTION



PERSPECTIVE



BASE FRAMING PLAN



PLAN

CUT SEAT-TOP HOLE TO SUIT AND PROVIDE A HINGED COVER

OBTAIN APPROVAL OF LOCAL HEALTH AUTHORITIES BEFORE STARTING CONSTRUCTION

MASS. PS-8



PIT-TYPE PRIVY

MASS. '68 EX. 6054 SHEET 1 OF 1

Disclaimer

This site makes available conceptual plans that can be helpful in developing building layouts and selecting equipment for various agricultural applications. These plans do not necessarily represent the most current technology or construction codes. They are not construction plans and do not replace the need for competent design assistance in developing safe, legal and well-functioning agricultural building system. The LSU Agriculture Center, the Mid-West Plan Service, the United States Department of Agriculture and none of the cooperating land-grant universities warranty these plans.