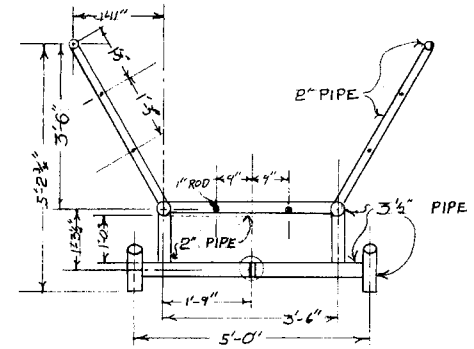
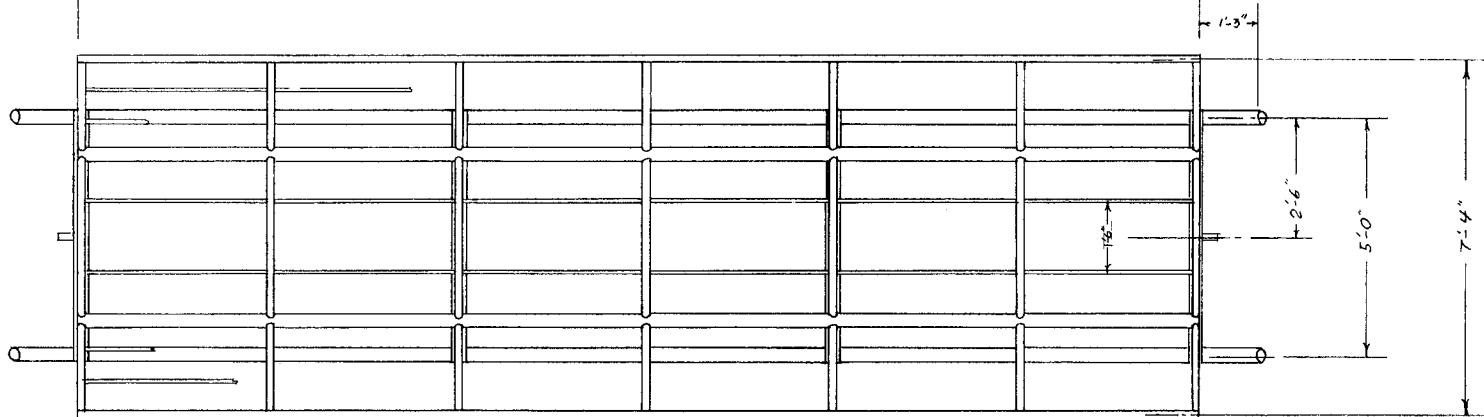


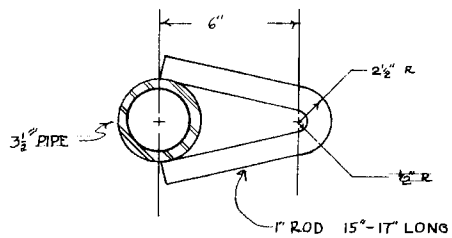
SIDE VIEW
SCALE: 1/2" = 1'



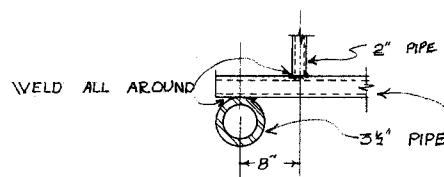
END VIEW
SCALE: 1/2" = 1'



TOP VIEW
SCALE: 1/2" = 1'



HOOK DETAIL
SCALE: 5" = 1'



FRAME DETAIL
SCALE: 3/4" = 1'



ROLL BALE SELF-FEEDER

ENGINEER FRED E. BAKER	SCALE AS SHOWN
DRAWN BY RONALD W. DUNNAN	SHEET 1 OF 1
TRACED BY RVD	DATE AUG 74 NO. 22-22

Disclaimer

This site makes available conceptual plans that can be helpful in developing building layouts and selecting equipment for various agricultural applications. These plans do not necessarily represent the most current technology or construction codes. They are not construction plans and do not replace the need for competent design assistance in developing safe, legal and well-functioning agricultural building system. The LSU Agriculture Center, the Mid-West Plan Service, the United States Department of Agriculture and none of the cooperating land-grant universities warranty these plans.