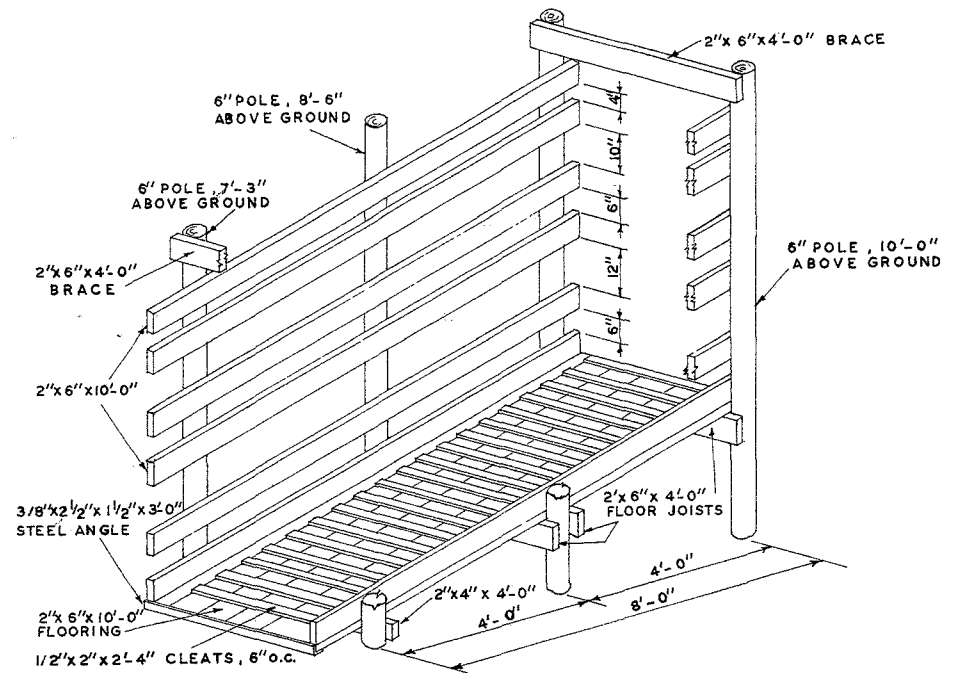
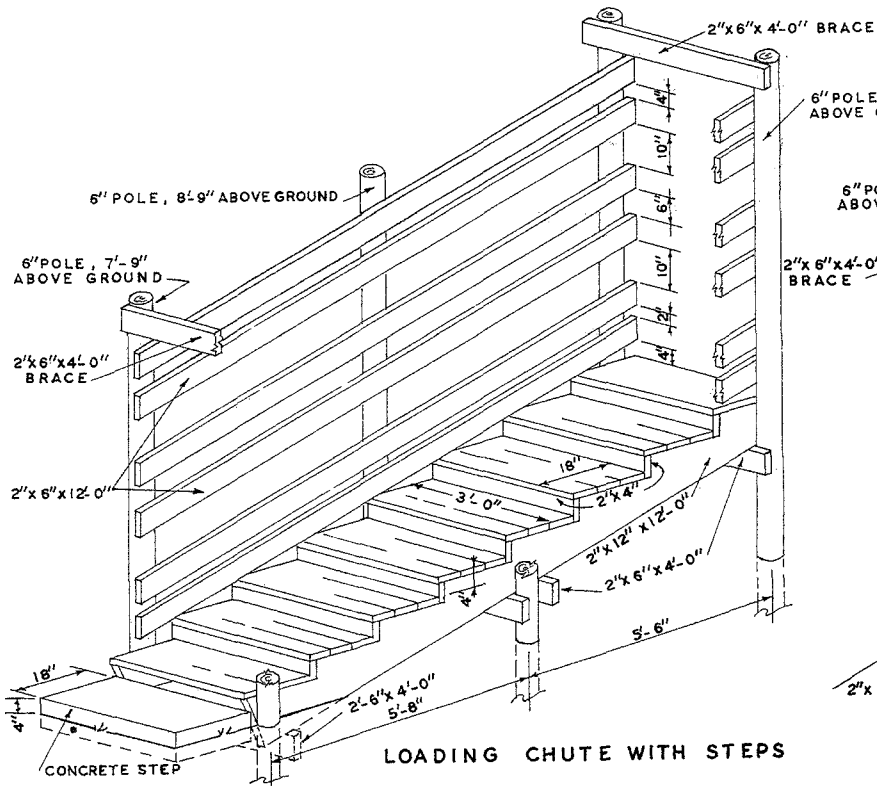


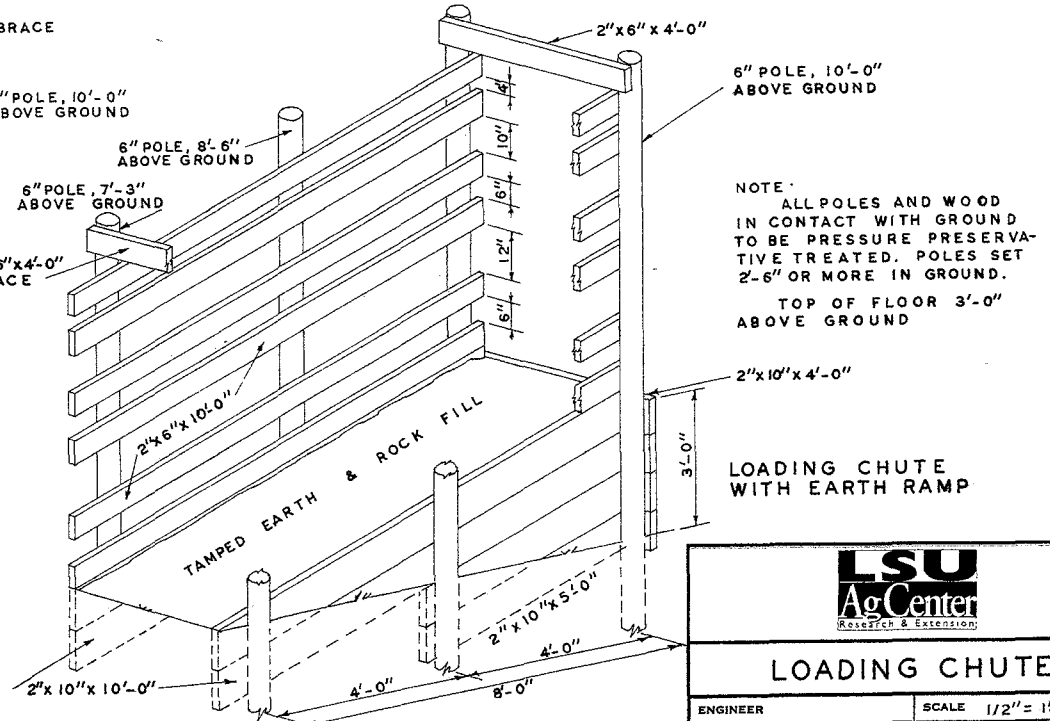
PORTABLE LOADING CHUTE



STATIONARY LOADING CHUTE



LOADING CHUTE WITH STEPS



NOTE:  
ALL POLES AND WOOD  
IN CONTACT WITH GROUND  
TO BE PRESERVE  
PRESERVATIVE  
TREATED. POLES SET  
2'-6" OR MORE IN GROUND.  
TOP OF FLOOR 3'-0"  
ABOVE GROUND

LOADING CHUTE  
WITH EARTH RAMP



LOADING CHUTES

ENGINEER	SCALE 1/2" = 1'-0"
DRAWN BY TENN. 54	SHEET 1 OF 1
TRACED BY D. L. R.	DATE 6-18-65 NO. 5793

## Disclaimer

This site makes available conceptual plans that can be helpful in developing building layouts and selecting equipment for various agricultural applications. These plans do not necessarily represent the most current technology or construction codes. They are not construction plans and do not replace the need for competent design assistance in developing safe, legal and well-functioning agricultural building system. The LSU Agriculture Center, the Mid-West Plan Service, the United States Department of Agriculture and none of the cooperating land-grant universities warranty these plans.