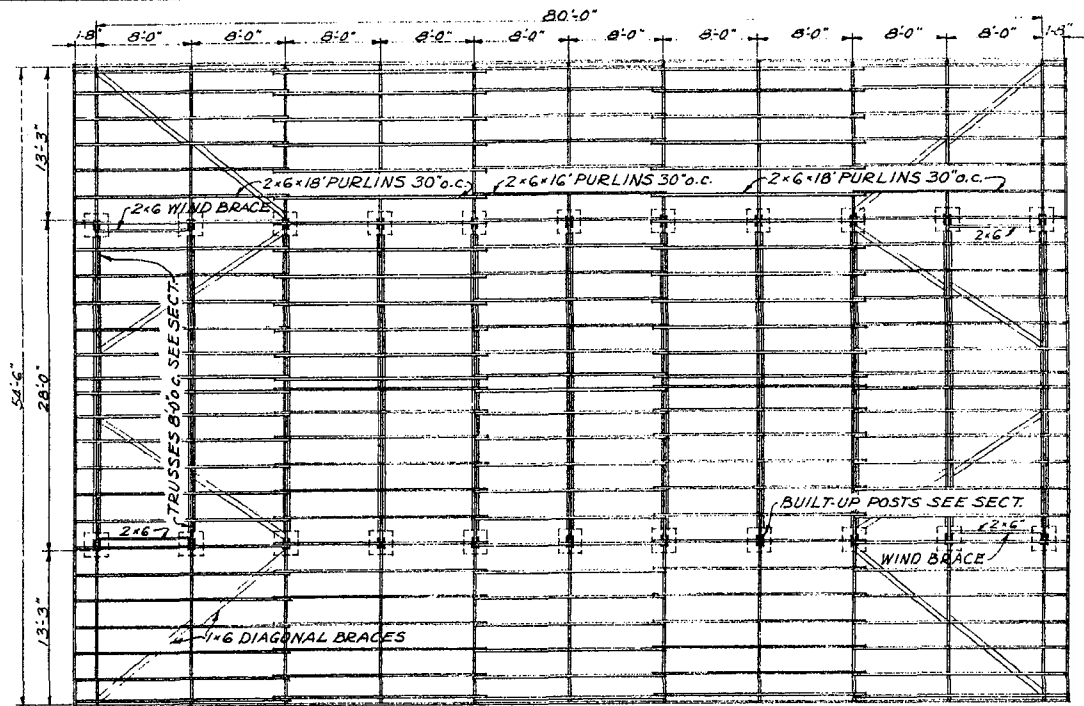
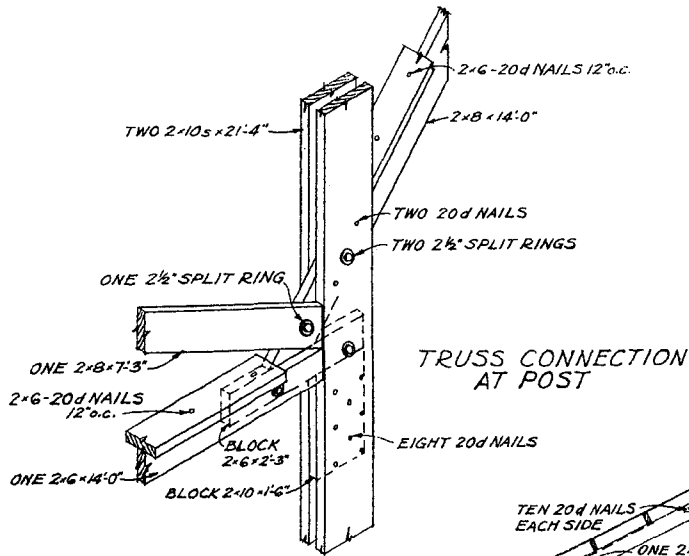


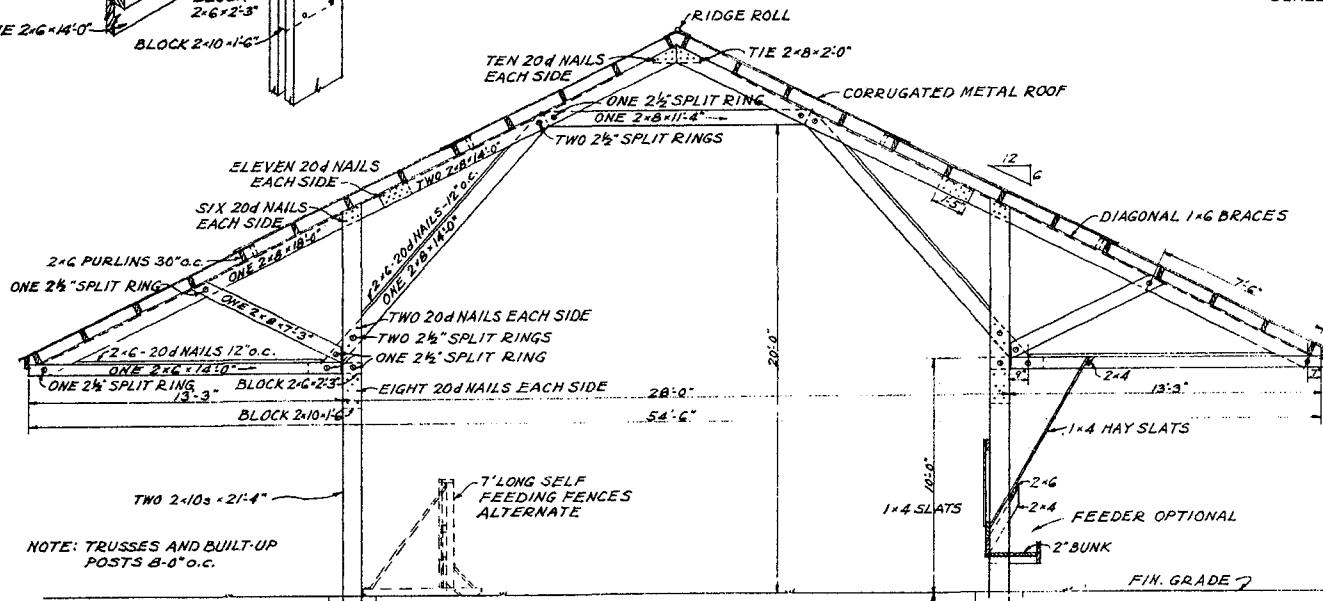
PERSPECTIVE



ROOF FRAMING PLAN  
SCALE: 1/8"=1'-0"



TRUSS CONNECTION AT POST



SECTION  
SCALE: 1/4"=1'-0"

NOTE

LENGTH OF BUILDING MAY BE VARIED IN UNITS OF 8 FEET.  
DIMENSIONS OF MEMBERS SHOWN ARE BASED ON THE USE OF DRESSED LUMBER.  
ALL LUMBER IN CONTACT WITH THE GROUND TO BE IMPREGNATED WITH A WOOD PRESERVATIVE.  
HAY MANAGERS, SELF FEEDING FENCES OR OTHER FEEDING ARRANGEMENTS ARE OPTIONAL.  
METAL ROOF ON 2x4 PURLINS 24" o.c. OR ON 2x6s AS SHOWN, SHOULD BE APPLIED ACCORDING TO MANUFACTURER'S DIRECTIONS.  
EQUIP BUILDING WITH AN ADEQUATE LIGHTNING PROTECTION SYSTEM IN AREAS WHERE NEEDED.



OPEN HAY STORAGE BUILDING

USDA '60 EX. 5879 SHEET 1 OF 1

## Disclaimer

This site makes available conceptual plans that can be helpful in developing building layouts and selecting equipment for various agricultural applications. These plans do not necessarily represent the most current technology or construction codes. They are not construction plans and do not replace the need for competent design assistance in developing safe, legal and well-functioning agricultural building system. The LSU Agriculture Center, the Mid-West Plan Service, the United States Department of Agriculture and none of the cooperating land-grant universities warranty these plans.