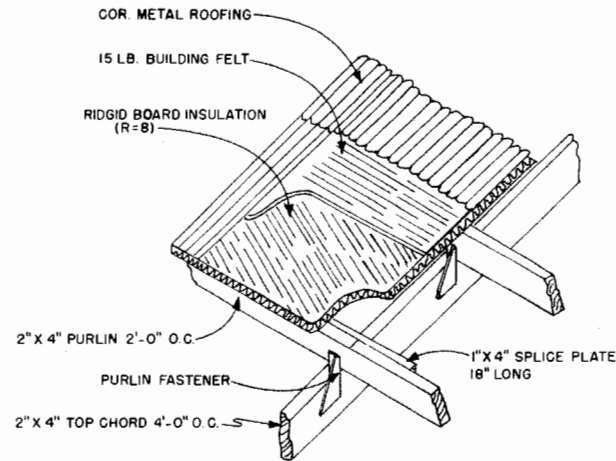
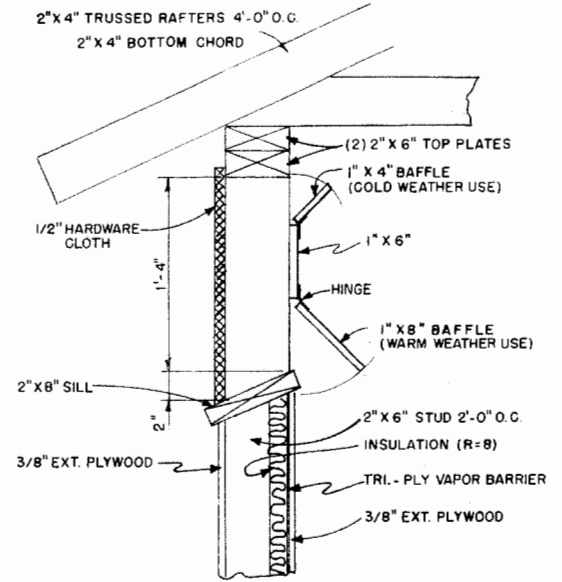


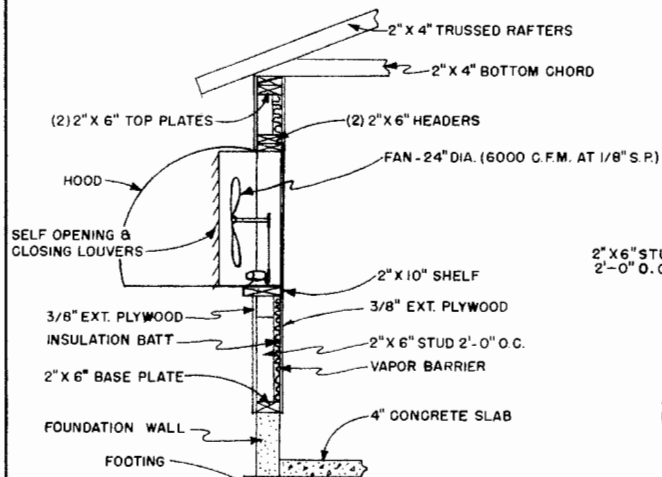
INSULATION DETAIL



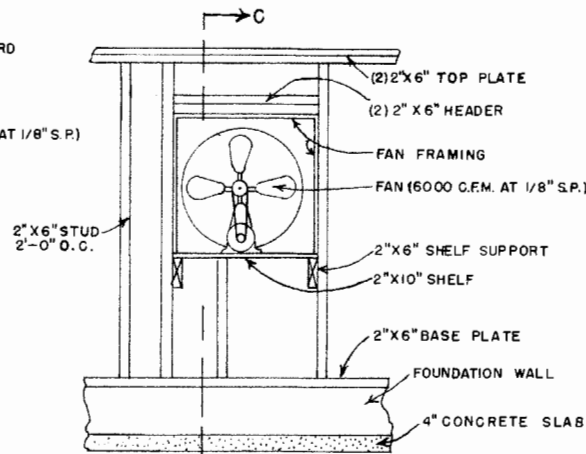
ALTERNATE INSULATION DETAIL



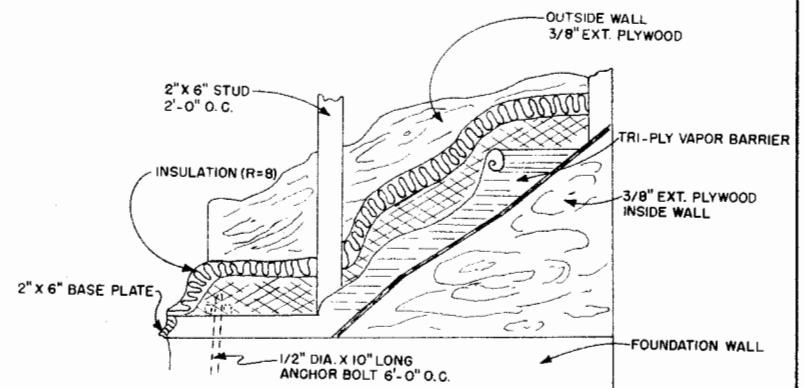
BAFFLE DETAIL



SECTION C-C
FAN DETAILS



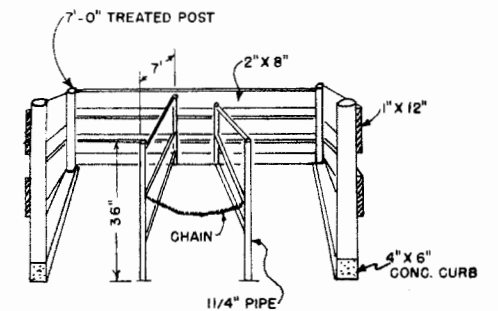
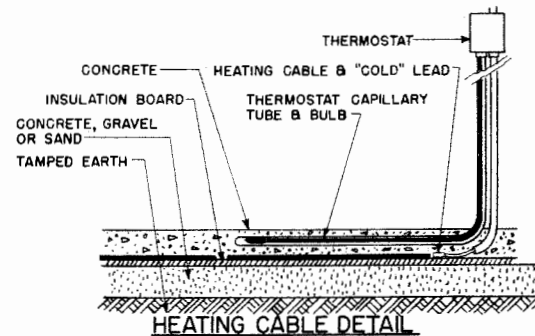
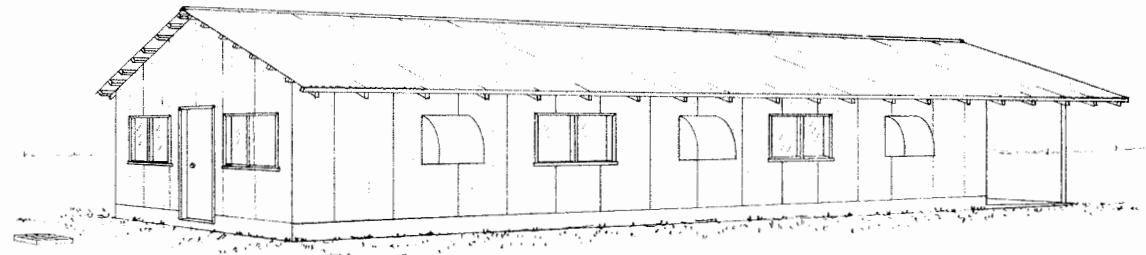
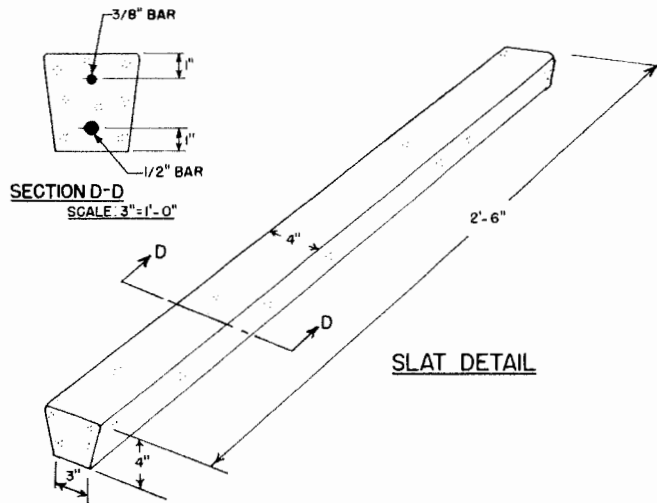
VIEW FROM INSIDE HOUSE



WALL CONSTRUCTION DETAIL



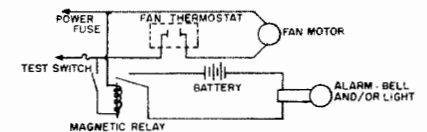
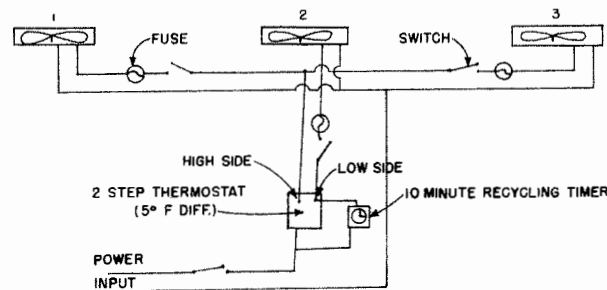
**FARROWING HOUSE FOR SWINE
ENVIRONMENTALLY CONTROLLED**



VENTILATION SYSTEM OPERATION

WARM WEATHER:
FAN 2 CONTROLLED BY LOW SIDE OF 5° DIFFERENTIAL STEP THERMOSTAT, FANS 1 AND 3 CONTROLLED BY HIGH SIDE.

COLD WEATHER:
USE TIME CLOCK TO OPERATE FAN 2 APPROXIMATELY 20% OF TIME (2 MIN. IN 10) FOR MOISTURE REMOVAL, AND TO MAINTAIN HUMIDITY AT 55-70% IN BUILDING. MAINTAIN TEMPERATURES AT 60-70°F.



SCHEMATIC DIAGRAM FOR WIRING OF VENTILATION SYSTEM



FARROWING HOUSE FOR SWINE ENVIRONMENTALLY CONTROLLED

Disclaimer

This site makes available conceptual plans that can be helpful in developing building layouts and selecting equipment for various agricultural applications. These plans do not necessarily represent the most current technology or construction codes. They are not construction plans and do not replace the need for competent design assistance in developing safe, legal and well-functioning agricultural building system. The LSU Agriculture Center, the Mid-West Plan Service, the United States Department of Agriculture and none of the cooperating land-grant universities warranty these plans.