

**ELEVATION**  
SCALE: 3/8" = 1'-0"

WHERE SNOW OR WIND LOADS WILL NOT EXCEED	TRUSSES MAY BE SPACED UP TO	PURLINS MAY BE SPACED UP TO	SPACED UP TO
15 LBS. PER SQ. FT.	12'-0" O.C.	2" x 4" / 2" x 6"	1'-6" O.C. / 3'-6"
18 LBS.	10'-0"	2" x 4" / 2" x 6"	1'-8" / 3'-6"
23 LBS.	8'-0"	2" x 4" / 2" x 6"	2'-0" / 3'-8"
31 LBS.	6'-0"	2" x 4"	2'-8"

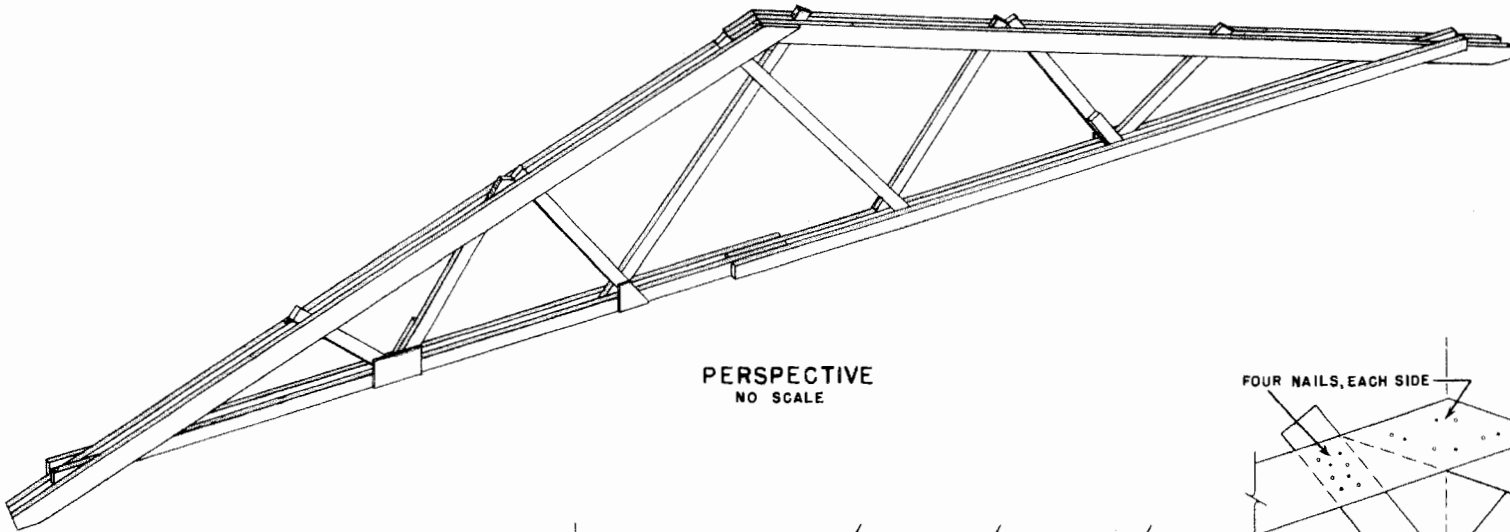
\* MAX. SPACING FOR CORRUGATED METAL  
2" x 4" BLOCKING, SPACED TO SUIT PURLINS. FASTEN WITH TWO 10d, EACH SIDE.

THIS TRUSS IS DESIGNED TO SUPPORT LOADS UP TO 200 LBS PER FOOT OF SPAN, INCLUDING THE WEIGHT OF THE ROOF.

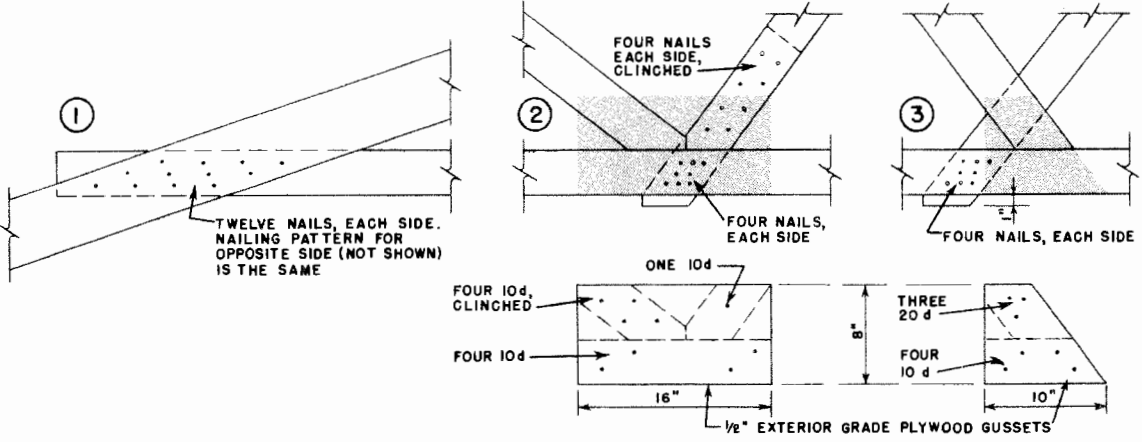
ALL LUMBER SHALL BE STRESS GRADED TO PROVIDE 1500 PSI FIBER STRESS IN BENDING, AND 1350 PSI IN COMPRESSION.

- MATERIALS FOR ONE TRUSS:**
- TOP CHORD.....4 PCS 2" x 6" x 22'-0"
  - BOTTOM CHORD.....4 " 2" x 4" x 20'-0"
  - WEB MEMBERS & BLOCKING.....3 " 2" x 4" x 14'-0"
  - 1 " 2" x 4" x 16'-0"
- ONE 48" x 96" PLYWOOD PANEL WILL PROVIDE GUSSETS FOR 12 TRUSSES
- NAILS.....6 1/4 LBS 20d COMMON  
  1 " 10d

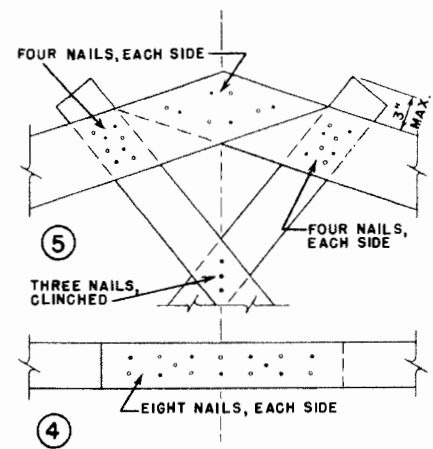
TRUSSES SHOULD BE SECURELY ANCHORED TO THE SUPPORTING STRUCTURE.



**PERSPECTIVE**  
NO SCALE



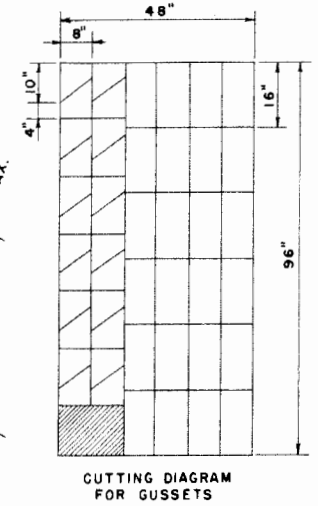
**JOINT DETAILS**  
SCALE: 1/2" = 1'-0"



ALL NAILS TO BE 20d COMMON, EXCEPT AS NOTED.

\* = NAILS DRIVEN FROM THE NEAR SIDE OF THE TRUSS, AND  
o = NAILS DRIVEN FROM FAR SIDE FOR LEFT END OF TRUSS, AS DETAILED. NOTE THAT NAILING PATTERNS ARE REVERSED FOR RIGHT END OF TRUSS.

ALL PROJECTING NAILS TO BE CLINCHED.



CUTTING DIAGRAM FOR GUSSETS

**LSU**  
**AgCenter**  
Research & Extension

**36 FT. UTILITY TRUSS**  
4/12 SLOPE • LAP-NAILED CONSTRUCTION

USDA '61 EX. 5921 SHEET 1 OF 1

## Disclaimer

This site makes available conceptual plans that can be helpful in developing building layouts and selecting equipment for various agricultural applications. These plans do not necessarily represent the most current technology or construction codes. They are not construction plans and do not replace the need for competent design assistance in developing safe, legal and well-functioning agricultural building system. The LSU Agriculture Center, the Mid-West Plan Service, the United States Department of Agriculture and none of the cooperating land-grant universities warranty these plans.