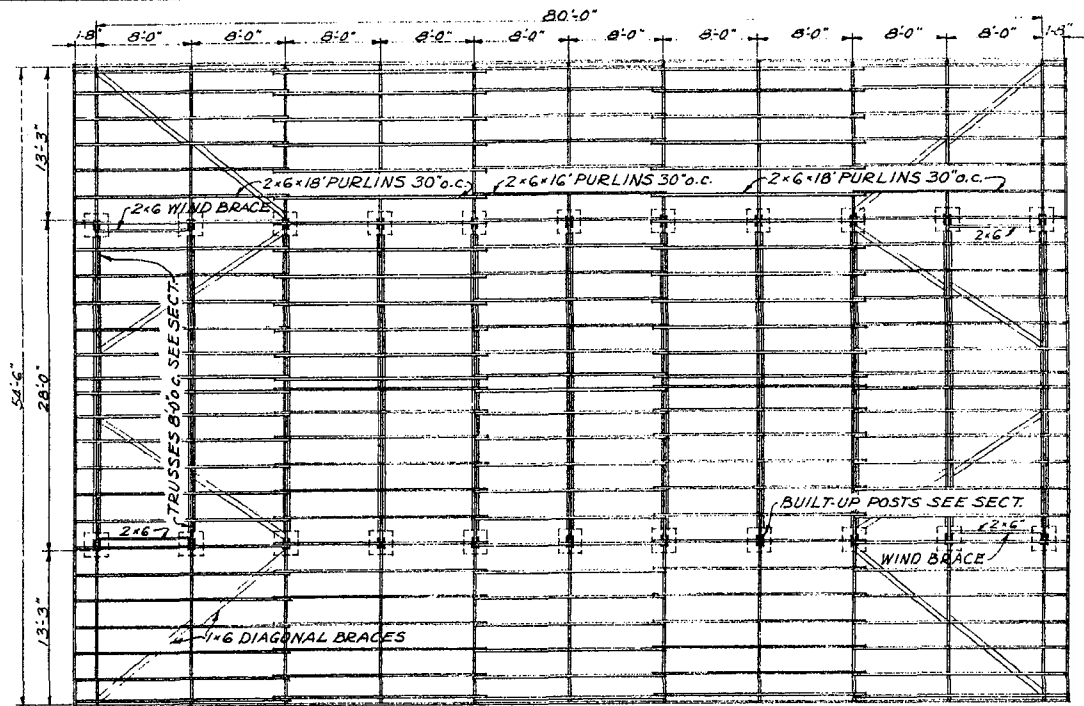
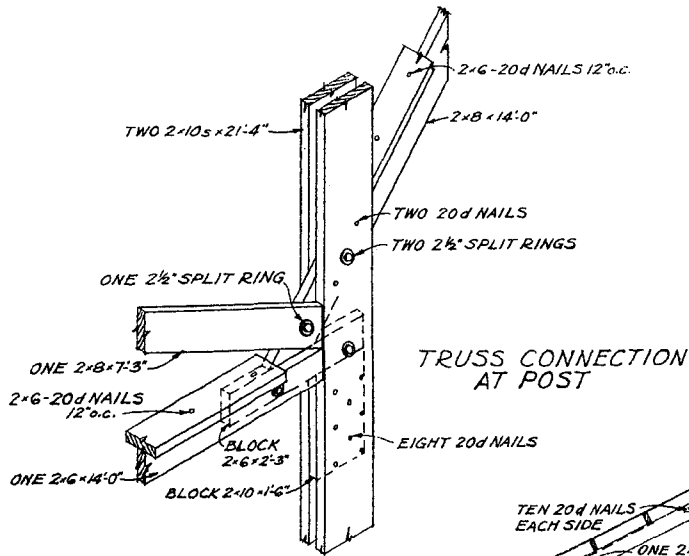


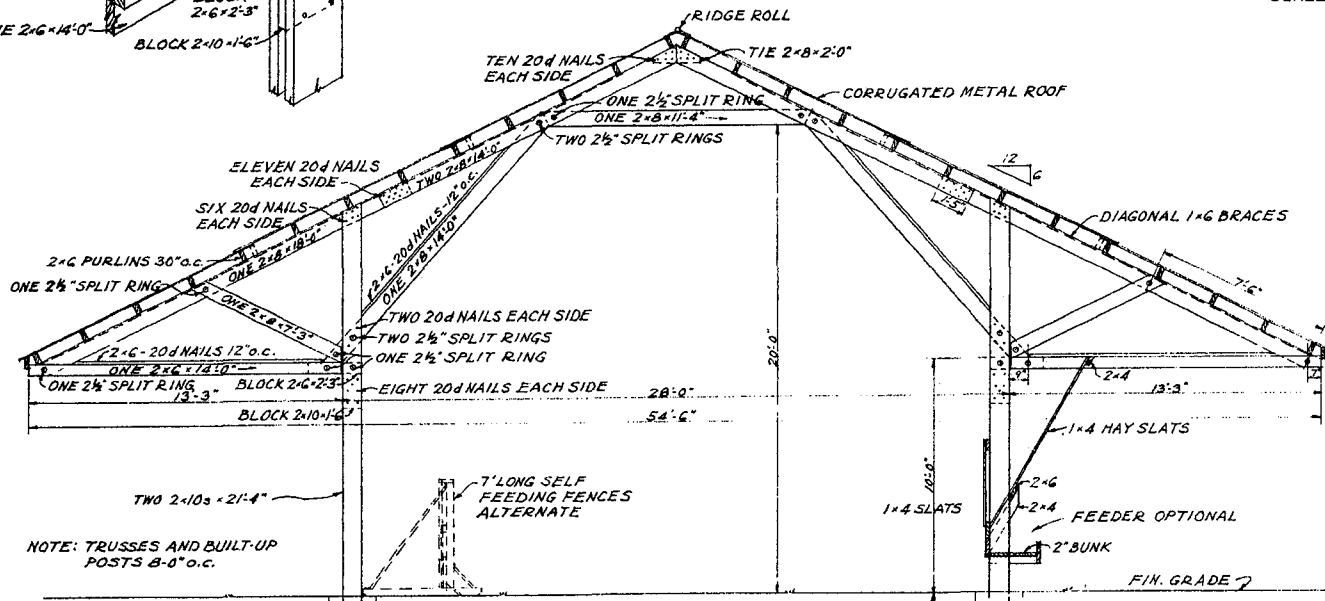
PERSPECTIVE



ROOF FRAMING PLAN
SCALE: 1/8"=1'-0"



TRUSS CONNECTION AT POST




SECTION
SCALE: 1/4"=1'-0"

NOTE

LENGTH OF BUILDING MAY BE VARIED IN UNITS OF 8 FEET.
DIMENSIONS OF MEMBERS SHOWN ARE BASED ON THE USE OF DRESSED LUMBER.
ALL LUMBER IN CONTACT WITH THE GROUND TO BE IMPREGNATED WITH A WOOD PRESERVATIVE.
HAY MANAGERS, SELF FEEDING FENCES OR OTHER FEEDING ARRANGEMENTS ARE OPTIONAL.
METAL ROOF ON 2x4 PURLINS 24" o.c. OR ON 2x6s AS SHOWN, SHOULD BE APPLIED ACCORDING TO MANUFACTURER'S DIRECTIONS.
EQUIP BUILDING WITH AN ADEQUATE LIGHTNING PROTECTION SYSTEM IN AREAS WHERE NEEDED.

NOTE: TRUSSES AND BUILT-UP POSTS 8'-0" o.c.

		
OPEN HAY STORAGE BUILDING		
USDA '60	EX. 5879	SHEET 1 OF 1