

NOTE: OBTAIN ASSISTANCE FROM LOCAL
EXTENSION PERSONNEL ON LAGOON DESIGN.

SELF PRIMING PUMP
- TO PROVIDE 200 GPM FOR
FLUSHING ONE ALLEY AT
A TIME

PUMPED RECYCLED LAGOON WATER SYSTEM

12" 0" 1" 2" 4"
SCALE -- 1/4" = 1'-0"



FLUSH SYSTEMS

SC 78 EX. 6349 SHEET 1 OF 3

REVISED '83

SUGGESTED SYPHON SIZES FOR 100' GUTTER ON 1/2% SLOPE WITH VARIOUS GUTTER WIDTHS

GUTTER WIDTH- INCHES	QUANTITY OF WATER-GAL.	SYPHON SIZE - INCHES	BELL DIAMETER-INCHES
12 - 30	50 - 100	3	12-14
30 - 40	100 - 175	4	14 - 16
40 - 50	175 - 200	DOUBLE 4 OR 6	16 - 18
86	250 - 300	DOUBLE 6	16 - 18

NOTES:

1. OPERATOR SHOULD CONSIDER ALTERNATIVE OF RECYCLING LAGOON WATER FOR FLUSHING PURPOSES IN BREEDING, GESTATION, GROWING, AND FINISHING BUILDINGS.

2. DIMENSIONS SHOWN WILL WORK FOR TANKS UP TO 30 INCHES DEEP. IF DEEPER TANKS ARE TO BE USED, CONSULT YOUR EXTENSION OFFICE FOR PROPER DIMENSIONS.

3. L₁ DETERMINES HEIGHT OF WATER IN TANK BEFORE FLUSH BEGINS. DO NOT GLUE THIS SECTION SO THAT IT CAN BE EASILY CHANGED TO VARY THE AMOUNT OF FLUSH WATER. ORIGINAL LENGTH SHOULD BE 12".

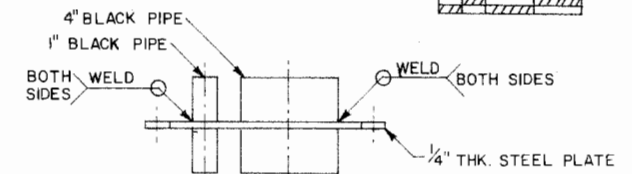
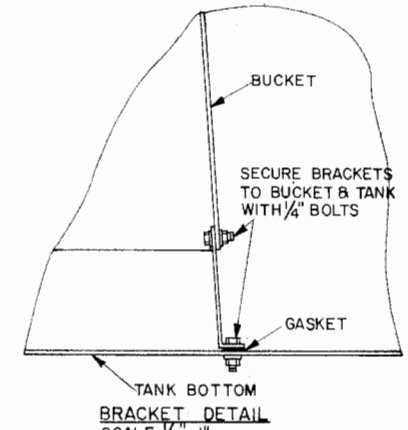
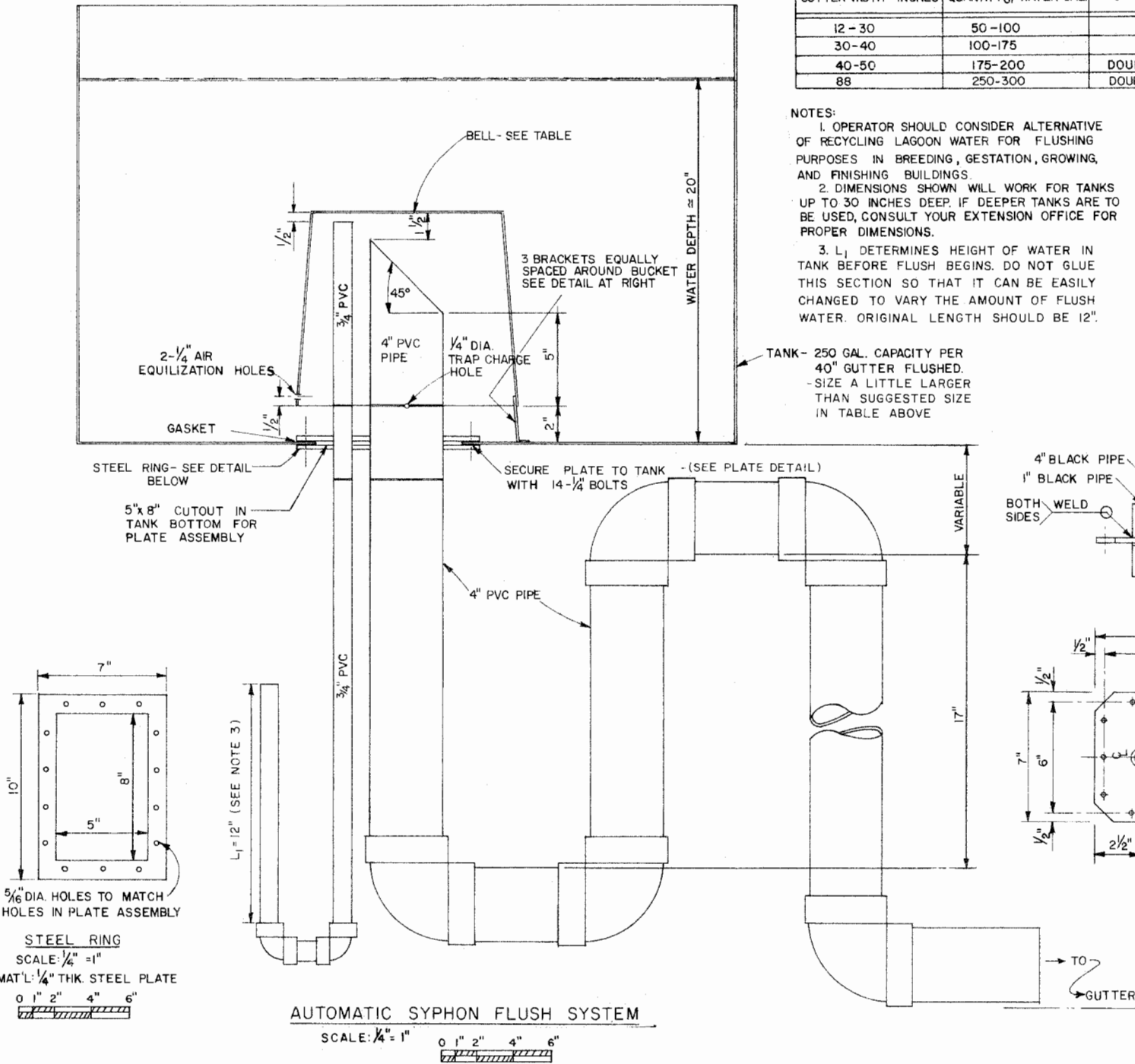
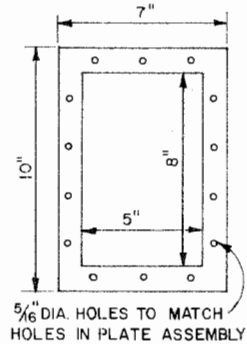
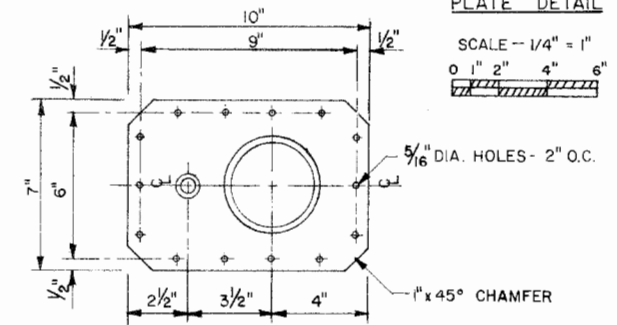


PLATE DETAIL



STEEL RING

SCALE: 1/4" = 1"

MAT'L: 1/4" THK. STEEL PLATE

0 1" 2" 4" 6"

AUTOMATIC SYPHON FLUSH SYSTEM

SCALE: 1/4" = 1"

0 1" 2" 4" 6"

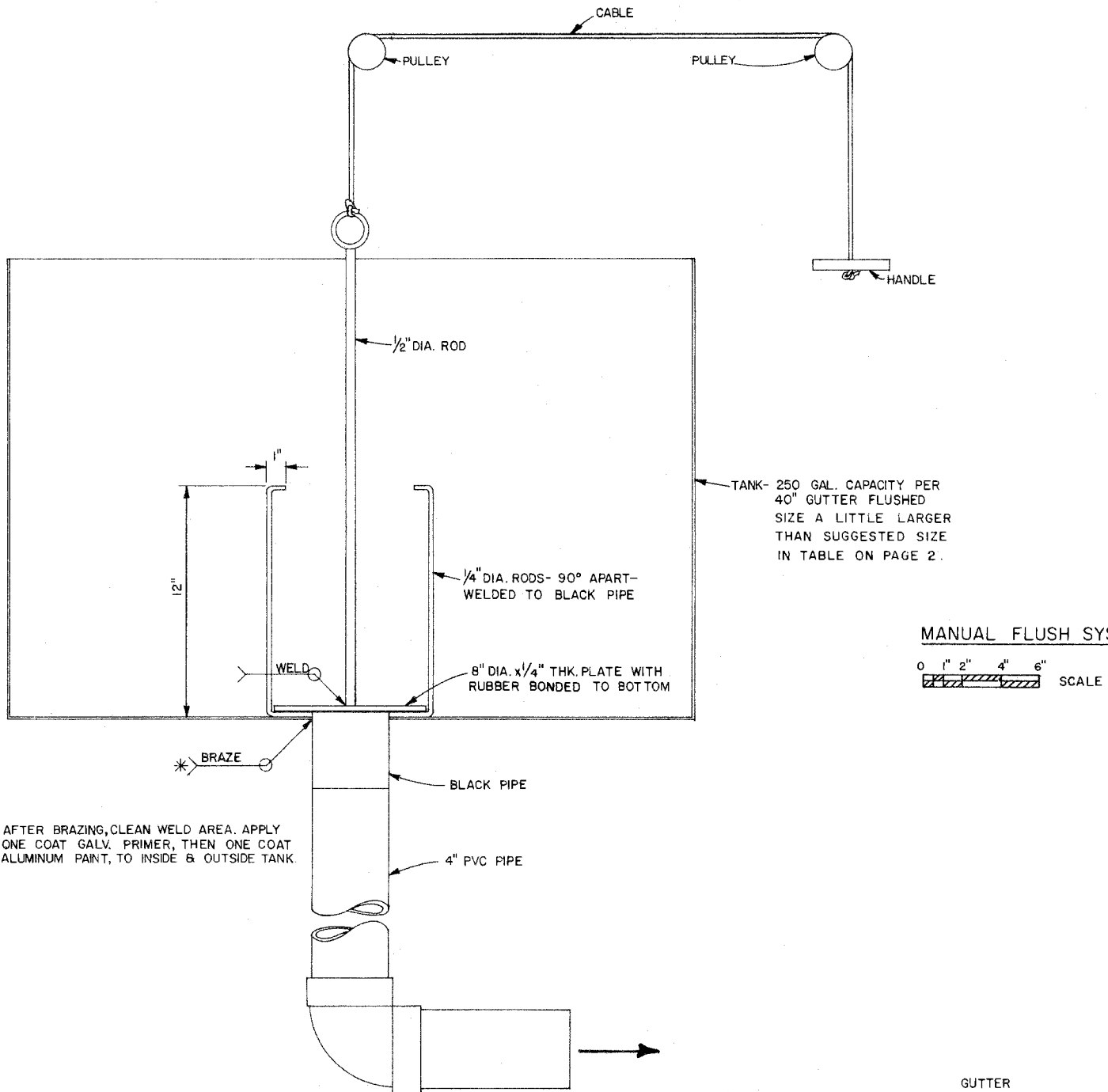


FLUSH SYSTEMS

SC 78

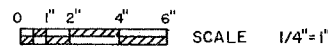
EX. 6349

SHEET 2 OF 3



TANK- 250 GAL. CAPACITY PER
40' GUTTER FLUSHED
SIZE A LITTLE LARGER
THAN SUGGESTED SIZE
IN TABLE ON PAGE 2.

MANUAL FLUSH SYSTEM



* AFTER BRAZING, CLEAN WELD AREA. APPLY
ONE COAT GALV. PRIMER, THEN ONE COAT
ALUMINUM PAINT, TO INSIDE & OUTSIDE TANK.

FLUSH SYSTEMS		
SC 78	EX. 6349	SHEET 3 OF 3

Disclaimer

This site makes available conceptual plans that can be helpful in developing building layouts and selecting equipment for various agricultural applications. These plans do not necessarily represent the most current technology or construction codes. They are not construction plans and do not replace the need for competent design assistance in developing safe, legal and well-functioning agricultural building system. The LSU Agriculture Center, the Mid-West Plan Service, the United States Department of Agriculture and none of the cooperating land-grant universities warranty these plans.