

NOTE:
2x4 STUDS - 1 1/4" O.C.,
ALL SIDES OF STORAGE RM.

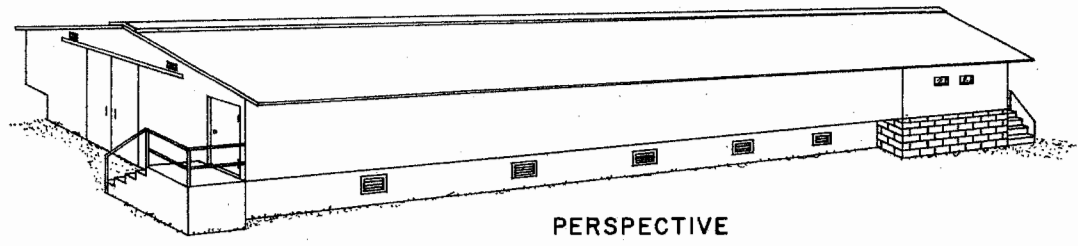
2x4 STUD
INLET LOUVER
TO PE TUBE

2x4 STUD
STAIRS -
7 1/2" RISER
10" TREAD

4'-0"
4'-0"

NOTE:
CONTINUOUS AT 1 CFM. PER BIRD
FRESH AIR SYSTEM - TWO INLET
LOUVERS EACH END. TWO PERF.
PE TUBES AT 130' FROM EACH END
ONE EXHAUST FAN EACH SIDE.

PLAN
SCALE: 3/16" = 1'-0"
12" 0 1' 2' 3' 4' 5' 6' 7' 8'



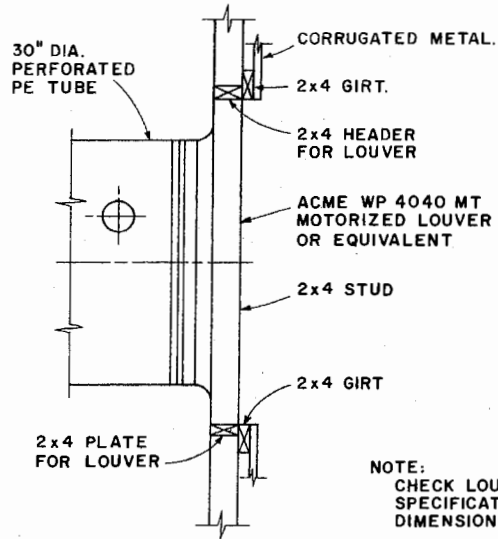
PERSPECTIVE

NOTE:
SLOPING WIRE FLOOR, FAN
VENTILATION & MANURE DRYING.

NOTE:
CONSULT LOCAL HEALTH
AND BUILDING CODE
AUTHORITIES BEFORE
STARTING CONSTRUCTION.

BASED ON: PENN. STATE UNIV. PLAN NO. 727-362

LSU AgCenter <small>Research & Extension</small>		
LAYER HOUSE 15,000 BIRDS		
PA.	'75	6189
		SHEET 1 OF 4



NOTE:
CHECK LOUVER MANUFACTURERS
SPECIFICATIONS FOR EXACT
DIMENSIONS.

INTAKE LOUVER FRAMING DETAIL

VENTILATION CONTROL SEQUENCE

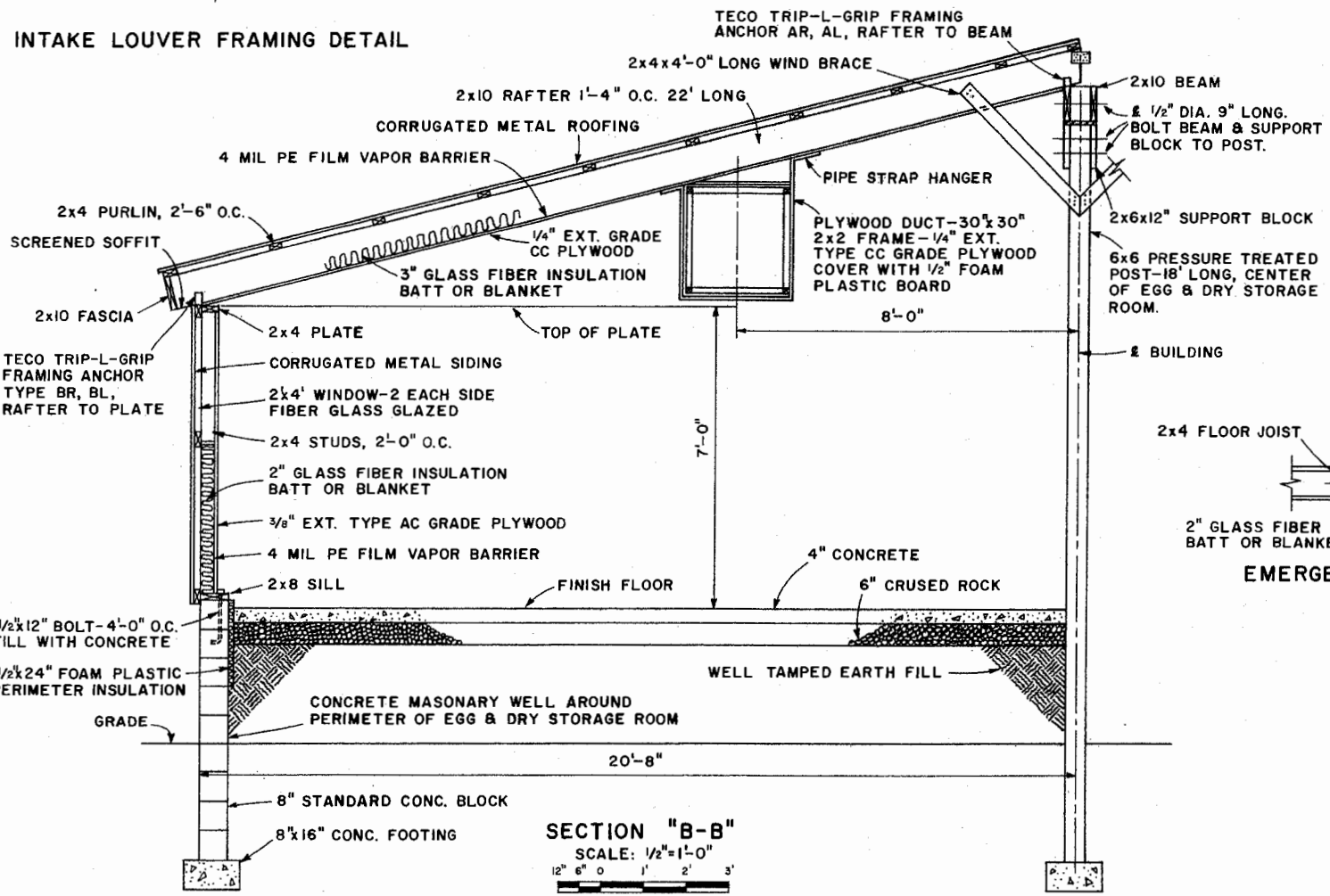
1. CENTER EXHAUST FAN ON EACH SIDE ON LOW SPEED CONT. LOUVERS IN EACH END OPEN. SLOT INLETS CLOSED. 7,500 CFM.
2. CENTER EXHAUST FANS SWITCH TO HIGH SPEED. 15,000 CFM.
3. TWO SINGLE SPEED FANS ON. 30,000 CFM.
4. TWO SINGLE SPEED FANS ON. SLOT INLETS OPEN. 45,000 CFM.
5. TWO SINGLE SPEED FANS ON. 60,000 CFM.
6. TWO SINGLE SPEED FANS ON. 75,000 CFM.

EQUIPMENT

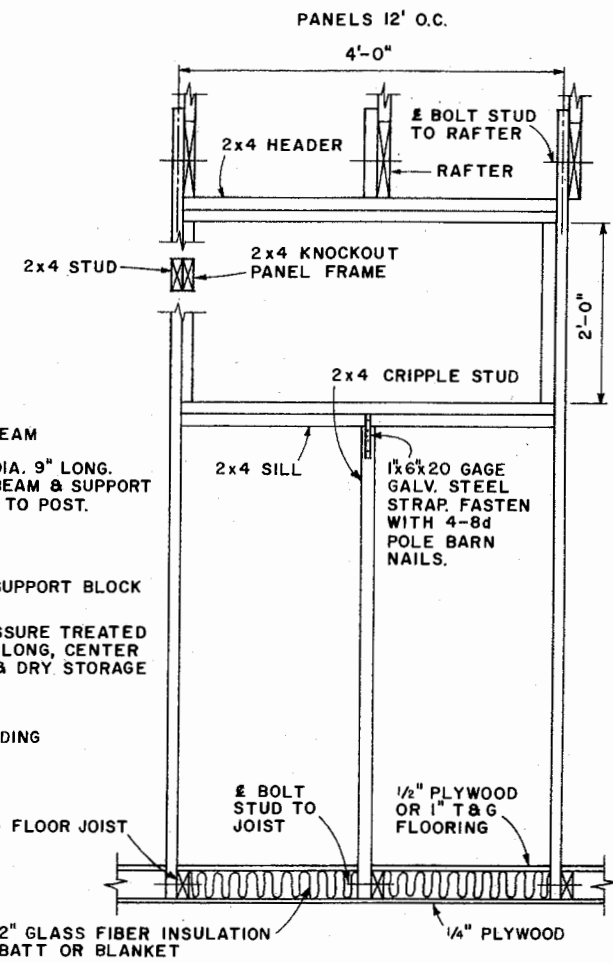
- FANS: 2 ACME DC 30 G 25 (TWO SPEED) 15,000 CFM.
8 ACME DC 30 G (SINGLE SPEED) 60,000 CFM.
- LOUVERS: 4 ACME WP 4040 MT MOTORIZED INLET (20,000 CFM)
SHUTTER FOR 30" DIA. PE INLET TUBE

OR EQUIVALENT EQUIPMENT
CONTROL FANS & LOUVERS WITH 3-2 STAGE THERMOSTATS
PROVIDE 200 AMP ELECTRIC SERVICE TO THE BUILDING.

NOTE:
SET KNOCKOUT PANEL IN FRAMED
OPENING. SECURE WITH 4 BUTTONS,
ONE CENTERED EACH SIDE ON INSIDE
WALL. LAP CORRUGATED METAL ON
SIDES, LAP 2" ON BOTTOM, EXTEND
TO SOFFIT.



SECTION "B-B"
SCALE: 1/2" = 1'-0"
12" 6" 0 1' 2' 3'

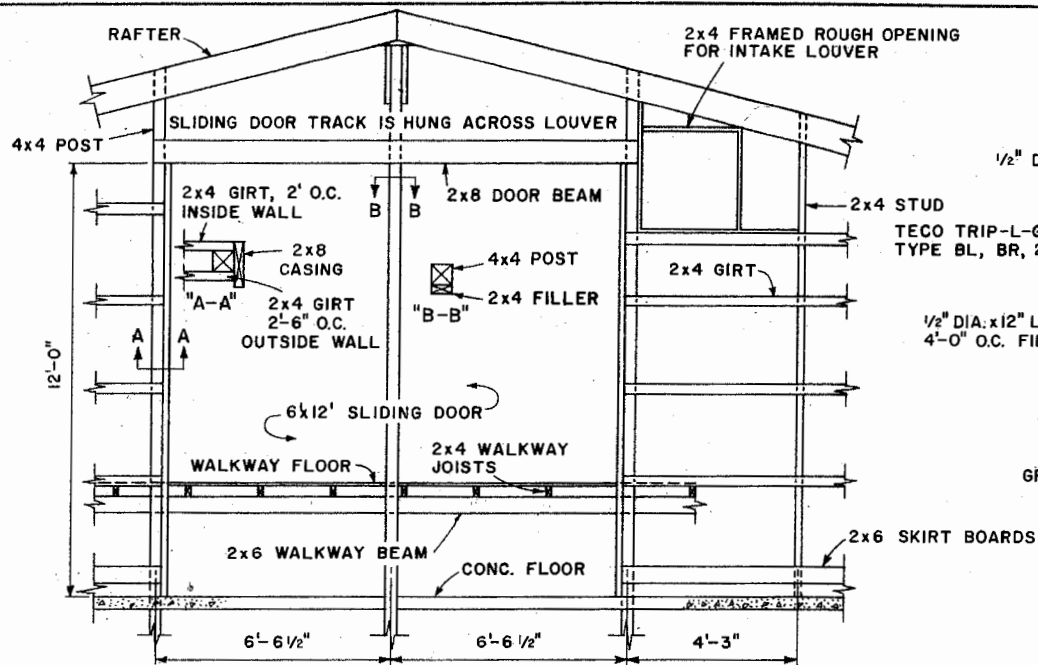


EMERGENCY KNOCKOUT PANEL DETAIL

SCALE: 1" = 1'-0" UNLESS
OTHERWISE NOTED
12" 9" 6" 3" 0 1'

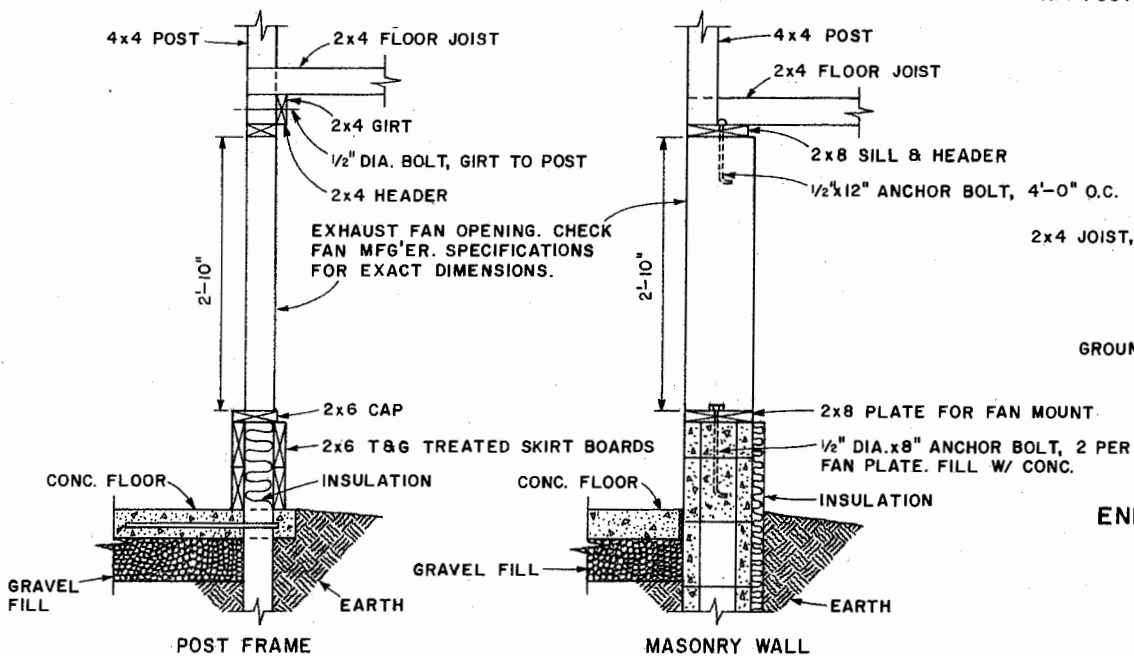


LAYER HOUSE
15,000 BIRDS



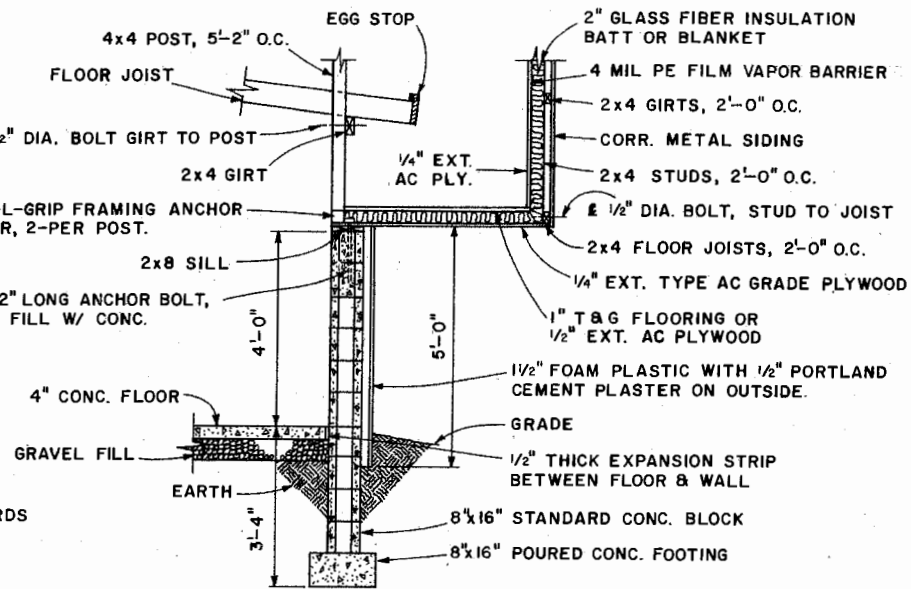
END & DOOR FRAMING

SCALE: $\frac{3}{8}" = 1'-0"$
 12" 6" 0" 1' 2' 3'

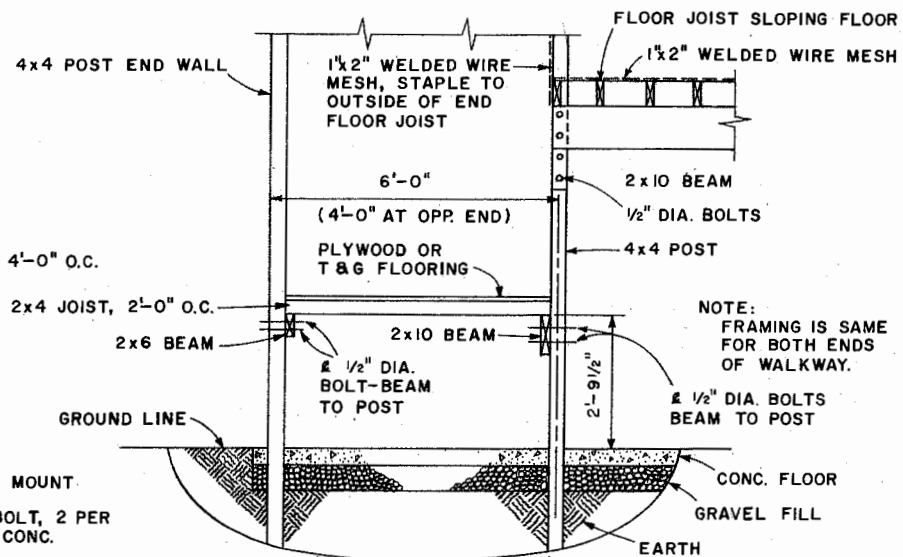


FAN OPENING DETAILS

SCALE: $1" = 1'-0"$
 12" 9" 6" 3" 0" 1'



MASONRY PIT WALL OPTION



END WALKWAY FRAMING DETAIL AT BUILDING



LAYER HOUSE
 15,000 BIRDS

SCALE: $\frac{1}{2}" = 1'-0"$ UNLESS OTHERWISE NOTED.
 12" 6" 0" 1' 2' 3'

Disclaimer

This site makes available conceptual plans that can be helpful in developing building layouts and selecting equipment for various agricultural applications. These plans do not necessarily represent the most current technology or construction codes. They are not construction plans and do not replace the need for competent design assistance in developing safe, legal and well-functioning agricultural building system. The LSU Agriculture Center, the Mid-West Plan Service, the United States Department of Agriculture and none of the cooperating land-grant universities warranty these plans.