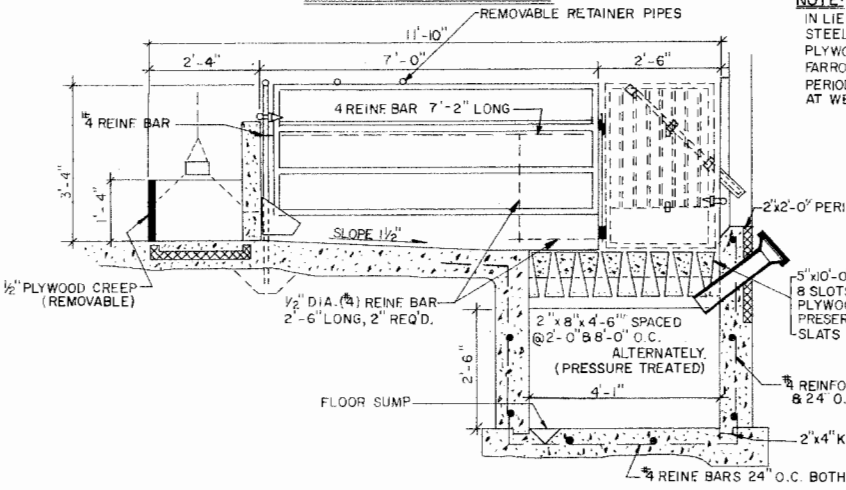


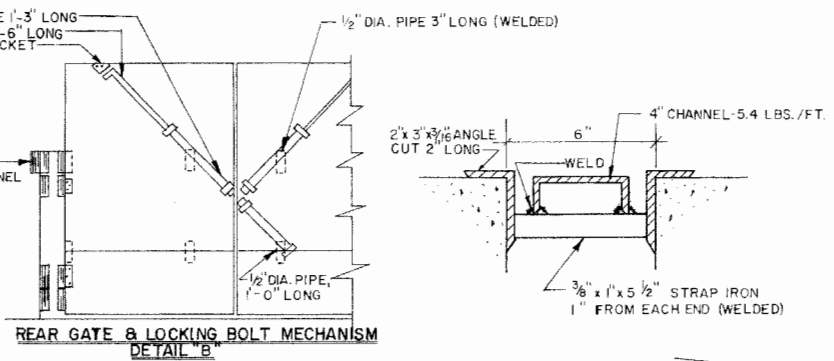
DEEP GUTTER DETAIL



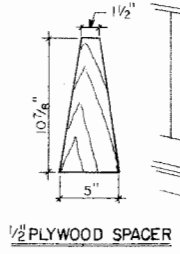
SLOTTED FLOOR DETAIL

NOTE:
IN LIEU OF STALL GATES, USE A STANDARD STEEL FARROWING CRATE BOLTED TO A 3/4" PLYWOOD PLATFORM. SET REMOVABLE FARROWING CRATE IN STALL FOR NURSING PERIOD, TO BE REMOVED WITH THE SOW AT WEANING.

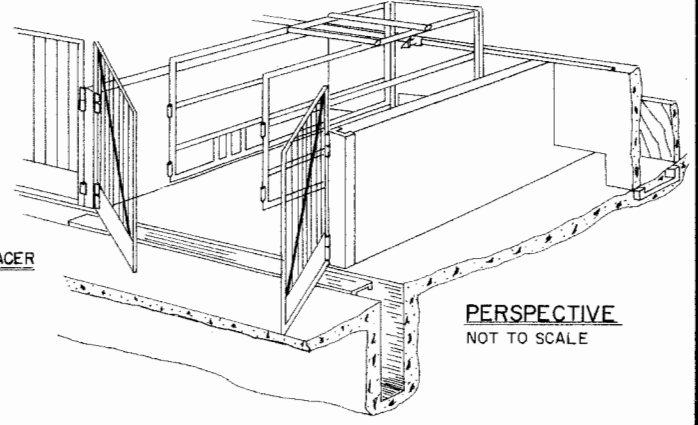
5" x 10'-0" REINFORCED CONCRETE SLATS
8 SLOTS @ 7/8" & 1 SLOT @ 1/2" AT WALL WITH 1/2" PLYWOOD SPACERS SOAKED IN WOOD PRESERVATIVE & NAILED TO JOISTS. AFTER SLATS ARE SPACED, USE 2" HOT-DIP GALV. NAILS.



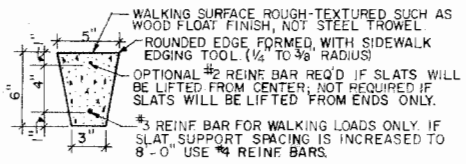
**REAR GATE & LOCKING BOLT MECHANISM
DETAIL "B"**



1/2" PLYWOOD SPACER

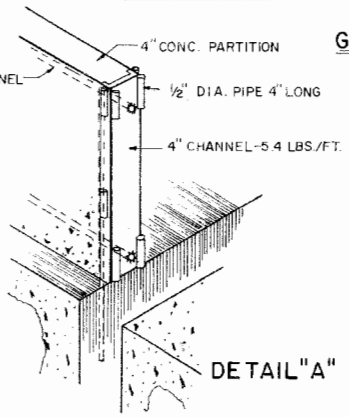


**PERSPECTIVE
NOT TO SCALE**

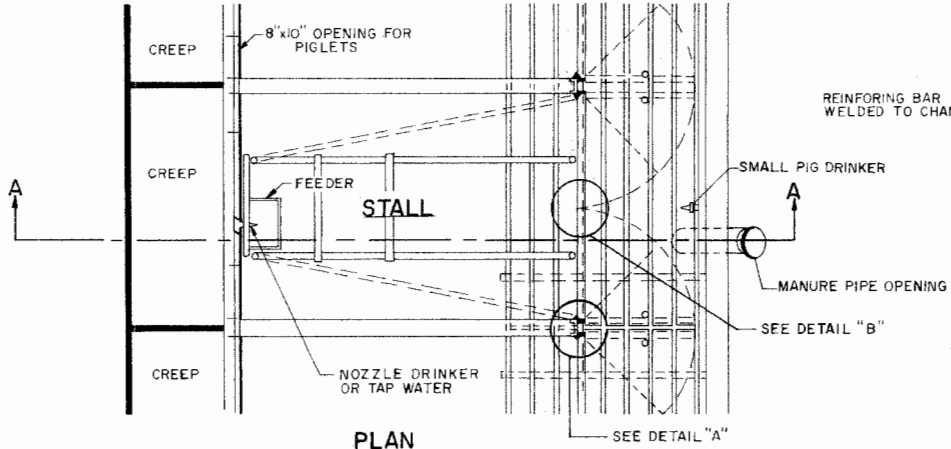


SLAT DETAIL

GUTTER CHANNEL DETAIL



DETAIL "A"



PLAN

SCALE: 1/4" = 1'-0" UNLESS OTHERWISE NOTED.

LSU AgCenter Research & Extension	
CONVERTIBLE FARROWING PEN WITH FRONT CREEP	
USDA 179	EX. 6320
SHEET 1 OF 1	

NOTE: BASED ON CANADA PLAN NO. 3008

Disclaimer

This site makes available conceptual plans that can be helpful in developing building layouts and selecting equipment for various agricultural applications. These plans do not necessarily represent the most current technology or construction codes. They are not construction plans and do not replace the need for competent design assistance in developing safe, legal and well-functioning agricultural building system. The LSU Agriculture Center, the Mid-West Plan Service, the United States Department of Agriculture and none of the cooperating land-grant universities warranty these plans.