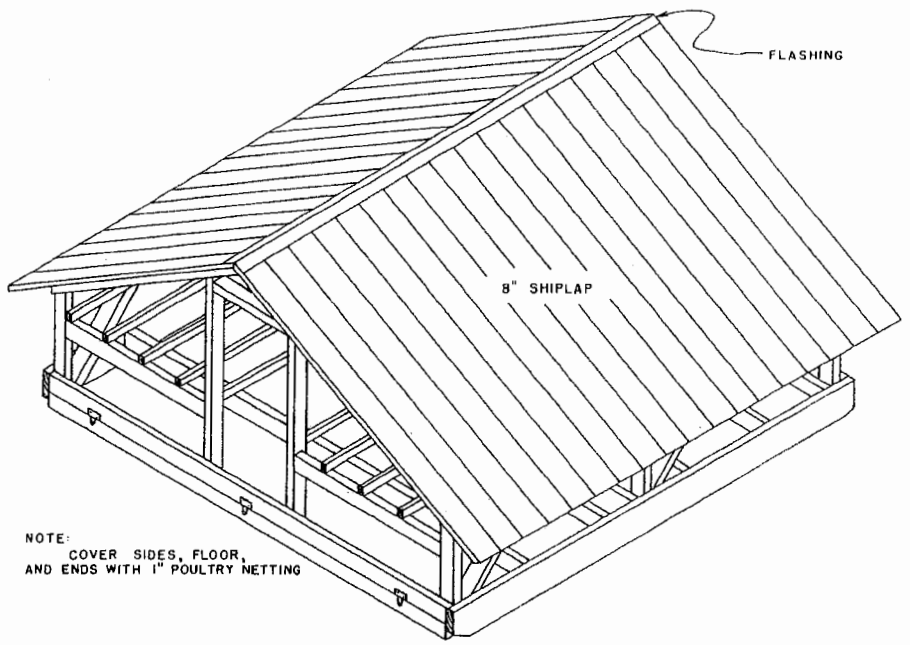
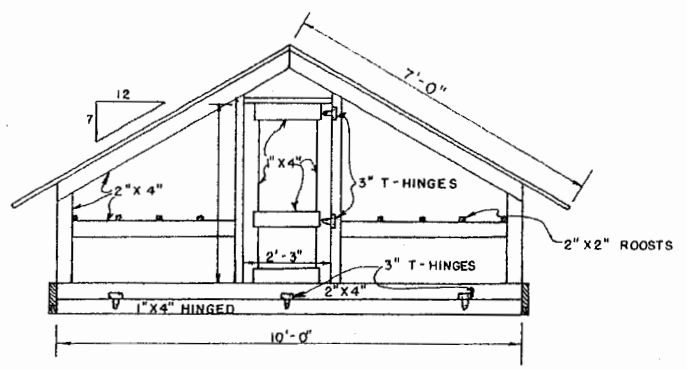


PLAN VIEW  
SCALE:  $\frac{1}{8}'' = 1' - 0''$

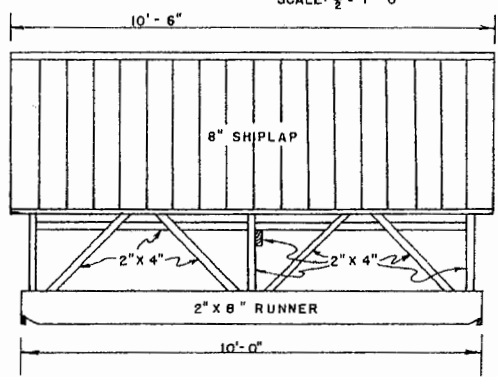


NOTE:  
COVER SIDES, FLOOR,  
AND ENDS WITH 1" POULTRY NETTING

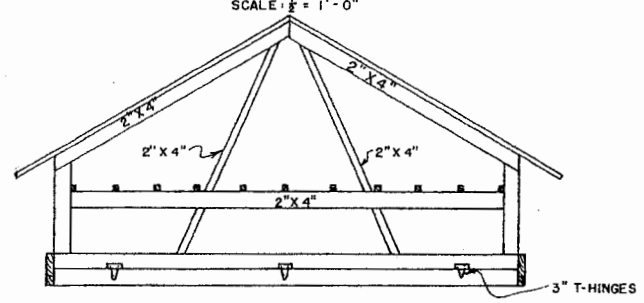
ISOMETRIC VIEW  
SCALE:  $\frac{1}{2}'' = 1' - 0''$



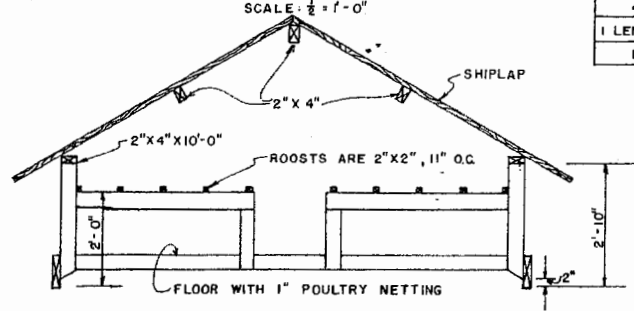
FRONT VIEW  
SCALE:  $\frac{1}{2}'' = 1' - 0''$



SIDE ELEVATION  
SCALE:  $\frac{1}{2}'' = 1' - 0''$



REAR VIEW  
SCALE:  $\frac{1}{2}'' = 1' - 0''$



SECTION  
SCALE:  $\frac{1}{2}'' = 1' - 0''$

BILL OF MATERIALS

NUMBER	SIZE	LENGTH	REMARKS
2	2" x 8"	10' - 0"	RUNNERS
10	2" x 2"	10' - 0"	ROOSTS
3	1" x 4"	10' - 0"	
12	2" x 4"	10' - 0"	
6	2" x 4"	6' - 0"	
6	2" x 4"	7' - 0"	
18	8"	14' - 0"	SHIPLAP
9	3"		T-HINGES
6 LBS.	8		WIRE NAILS
10 LBS.	16		WIRE NAILS
4 LBS.	SMALL		STAPLES
1 LENGTH	24" WIDE	10' - 0"	1" POULTRY NETTING
1	6" WIDE	10' - 6"	G.I. FLASHING



SUMMER RANGE POULTRY SHELTER

ENGINEER	M.W.	SCALE	AS SHOWN
DRAWN BY		SHEET	1 OF 1
TRACED BY	M.J.M.	DATE	6-2-59 NO. 74-7

## Disclaimer

This site makes available conceptual plans that can be helpful in developing building layouts and selecting equipment for various agricultural applications. These plans do not necessarily represent the most current technology or construction codes. They are not construction plans and do not replace the need for competent design assistance in developing safe, legal and well-functioning agricultural building system. The LSU Agriculture Center, the Mid-West Plan Service, the United States Department of Agriculture and none of the cooperating land-grant universities warranty these plans.