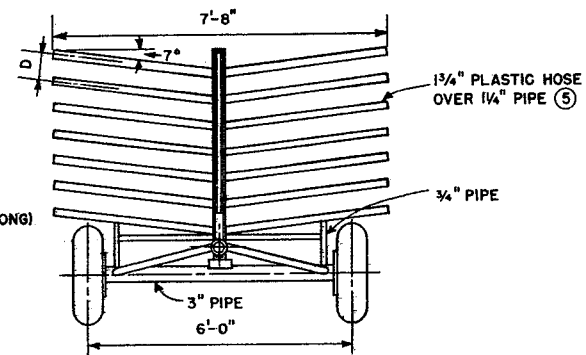


SIDE VIEW



TYPICAL SECTION

	PIPE LENGTH (FT.)			PIPE DIAMETER (IN.)					
	20	30	40	2	3	4	5	6	
A	14'	18'	22'						
B	6'	9'	12'						
C	7'-4"	9'-3"	11'-3"						
D				5 1/2"	6 1/2"	7 1/2"	8 1/2"	9 1/2"	

KEY:

1. RACK HEIGHT IS DETERMINED BY SPRINKLER PIPE SIZE AND THE NUMBER OF TIERS REQUIRED.
2. BASKET, FOR CARRYING SPRINKLER HEADS OR OTHER LOOSE OBJECTS, IS MADE FROM 1 1/2" ANGLE IRON AND EXPANDED METAL.
3. BAFFLE NEEDED ONLY FOR SPRINKLER PIPE USING CENTER RISERS.
4. POSITION HITCH SO THAT TRAILER RIDES LEVEL WHEN TOWED.
5. CUT 1/4" PIPE 7'-8" LONG, BEND 14° AT CENTER, AND WELD BETWEEN CHANNELS.



SPRINKLER PIPE TRAILER

CALIF. '68 EX. 6046 SHEET 1 OF 1

Disclaimer

This site makes available conceptual plans that can be helpful in developing building layouts and selecting equipment for various agricultural applications. These plans do not necessarily represent the most current technology or construction codes. They are not construction plans and do not replace the need for competent design assistance in developing safe, legal and well-functioning agricultural building system. The LSU Agriculture Center, the Mid-West Plan Service, the United States Department of Agriculture and none of the cooperating land-grant universities warranty these plans.