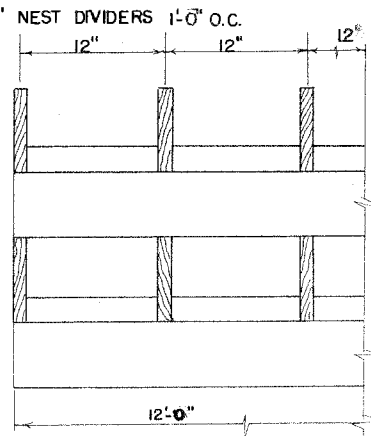
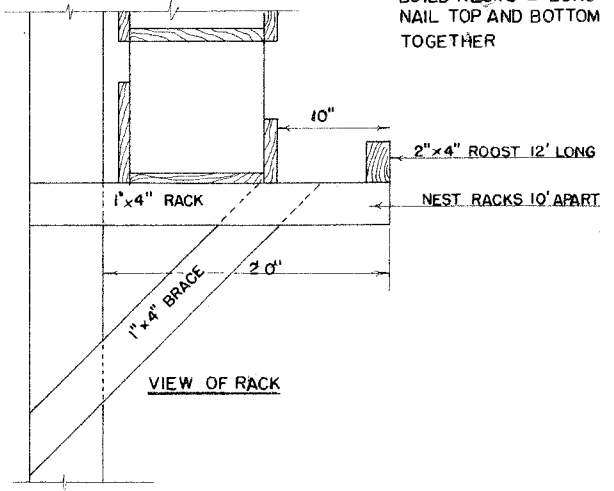


SECTION THROUGH NESTS



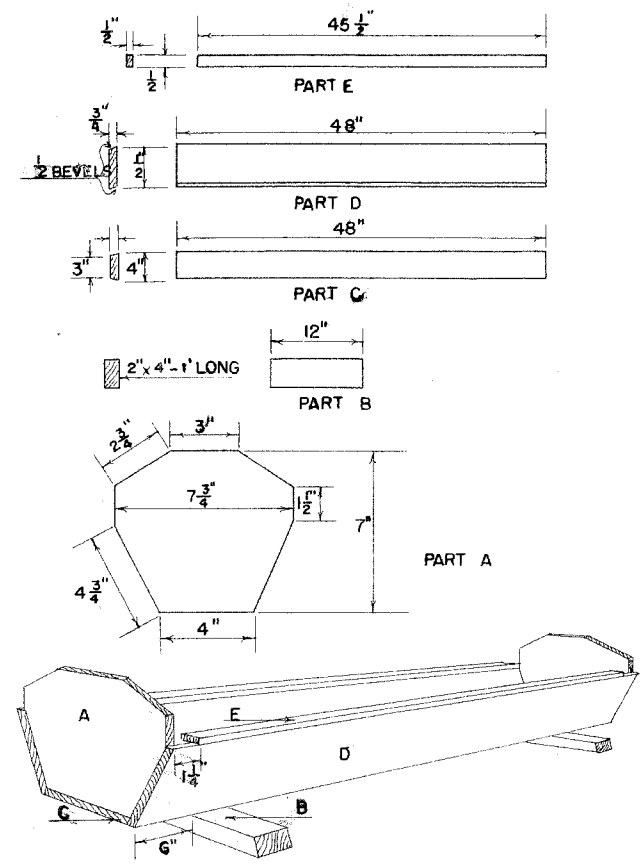
FRONT VIEW

NOTE
 BUILD NESTS 2' LONG - DO NOT
 NAIL TOP AND BOTTOM NESTS
 TOGETHER



VIEW OF RACK

CHICKEN NESTS



CHICKEN FEED TROUGH



CHICKEN NESTS & CHICKEN FEED TROUGH

ENGINEER	CES	SCALE	NONE
DRAWN BY	RWD	SHEET	1 OF 1
TRACED BY	DD	DATE	OCT-74 NO. 72-8

Disclaimer

This site makes available conceptual plans that can be helpful in developing building layouts and selecting equipment for various agricultural applications. These plans do not necessarily represent the most current technology or construction codes. They are not construction plans and do not replace the need for competent design assistance in developing safe, legal and well-functioning agricultural building system. The LSU Agriculture Center, the Mid-West Plan Service, the United States Department of Agriculture and none of the cooperating land-grant universities warranty these plans.