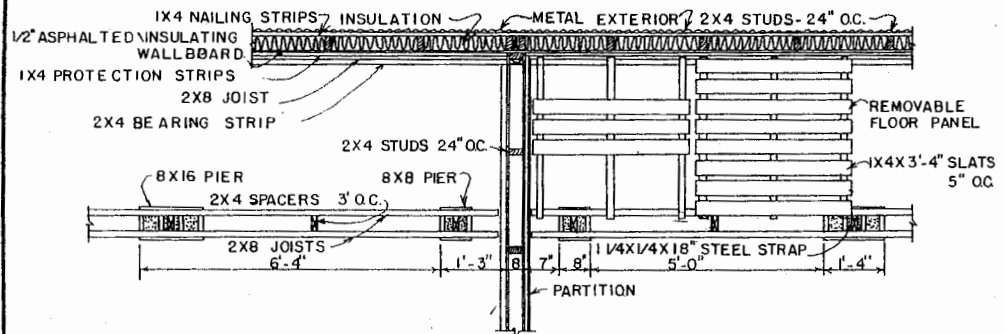
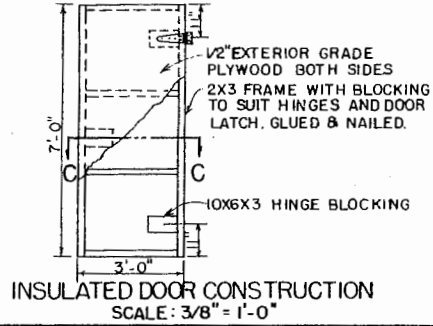


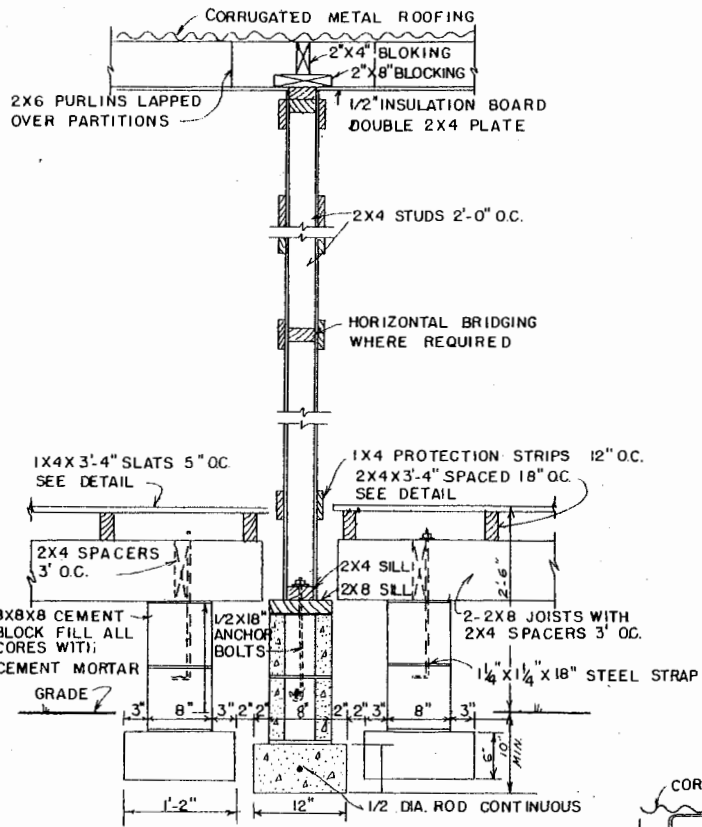
SPACED JOIST & FLOOR PANEL DETAILS
SCALE: 1/2" = 1'-0"



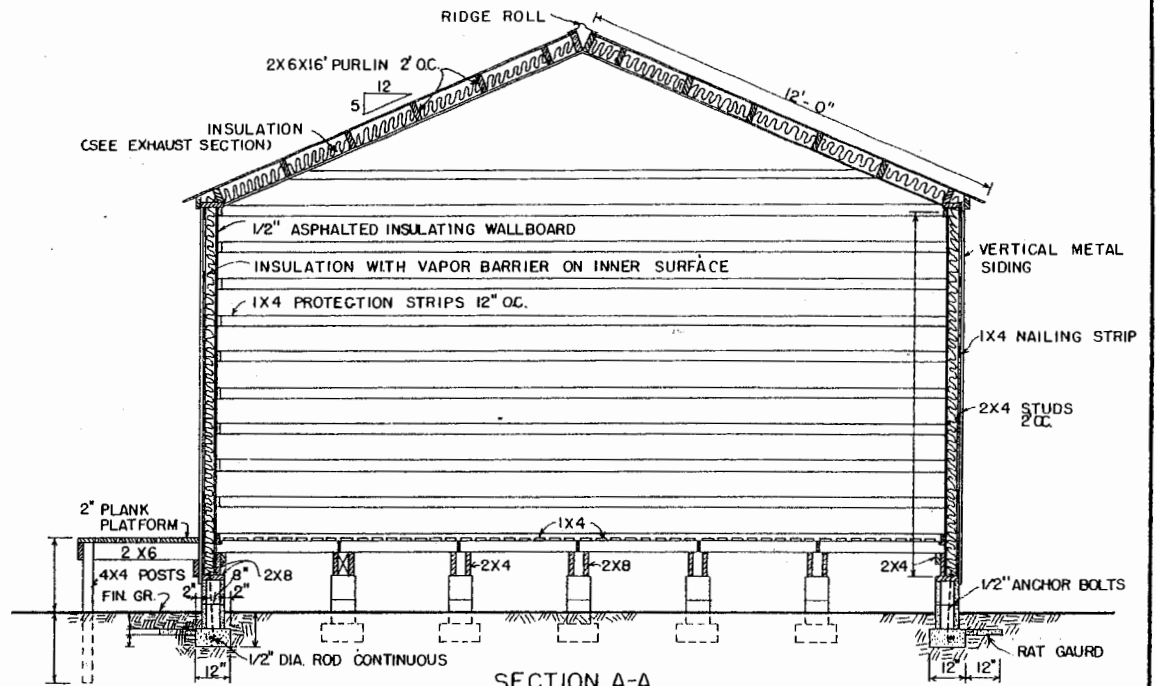
NOTE:
FILL CORES IN ALL PIER BLOCKS AND AROUND BOLTS WITH CEMENT MORTAR.
FOUNDATION WALLS AND PIER FOOTINGS MUST BE DEEP ENOUGH TO BEAR ON SOLID GROUND, BELOW FROST LINE.
ALL WOOD EXPOSED TO WEATHER OR IN CONTACT WITH THE GROUND TO BE IMPREGNATED WITH PRESERVATIVE. FOR INSULATION THICKNESS REQUIREMENTS TO SUIT LOCAL CONDITIONS, REFER TO USDA BULLETIN NO. 1442.
EQUIP BUILDING WITH ADEQUATE LIGHTING PROTECTION WHERE NEEDED.



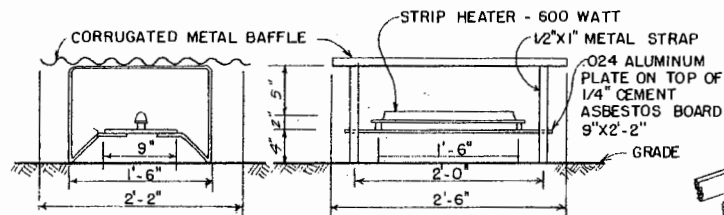
LSU AgCenter Research & Extension	
4000 BU. SWEETPOTATO HOUSE	
ENGINEER	SCALE
DRAWN BY	SHEET 1 OF 2
TRACED BY VRJ	DATE
	NO. 5648



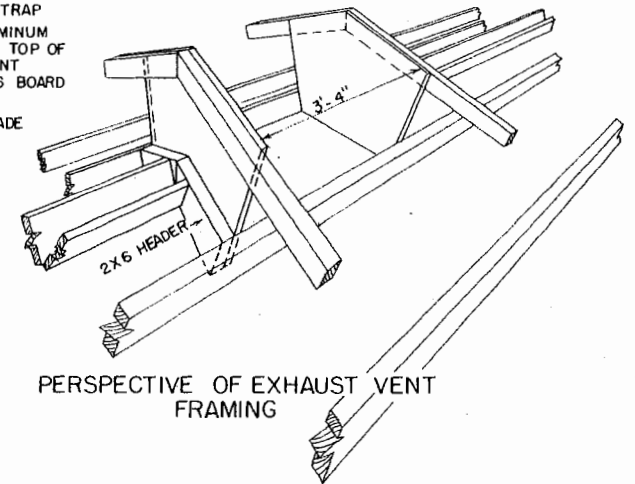
SECTION B-B
SCALE: 1"=1'-0"



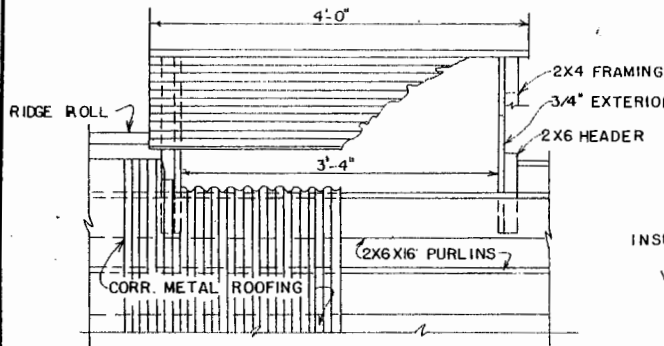
SECTION A-A
SCALE: 3/8"=1'-0"



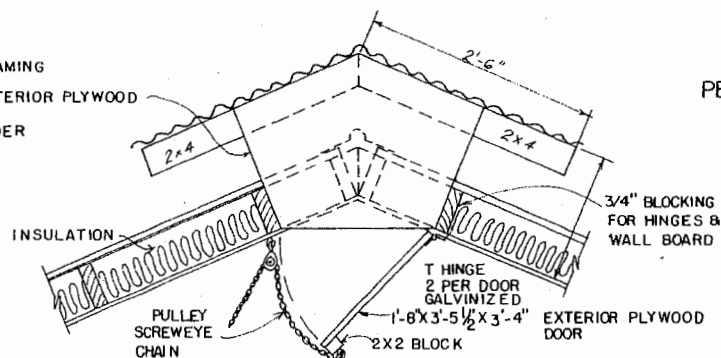
ELECTRIC HEATER DETAIL
SCALE: 1"=1'-0"



PERSPECTIVE OF EXHAUST VENT FRAMING



ELEVATION (CUTAWAY)



SECTION EXHAUST VENT



4000 BU. SWEETPOTATO HOUSE

ENGINEER	SCALE AS SHOWN
DRAWN BY	SHEET 2 OF 2
TRACED BY VRJ	DATE '59 NO. 5648

Disclaimer

This site makes available conceptual plans that can be helpful in developing building layouts and selecting equipment for various agricultural applications. These plans do not necessarily represent the most current technology or construction codes. They are not construction plans and do not replace the need for competent design assistance in developing safe, legal and well-functioning agricultural building system. The LSU Agriculture Center, the Mid-West Plan Service, the United States Department of Agriculture and none of the cooperating land-grant universities warranty these plans.