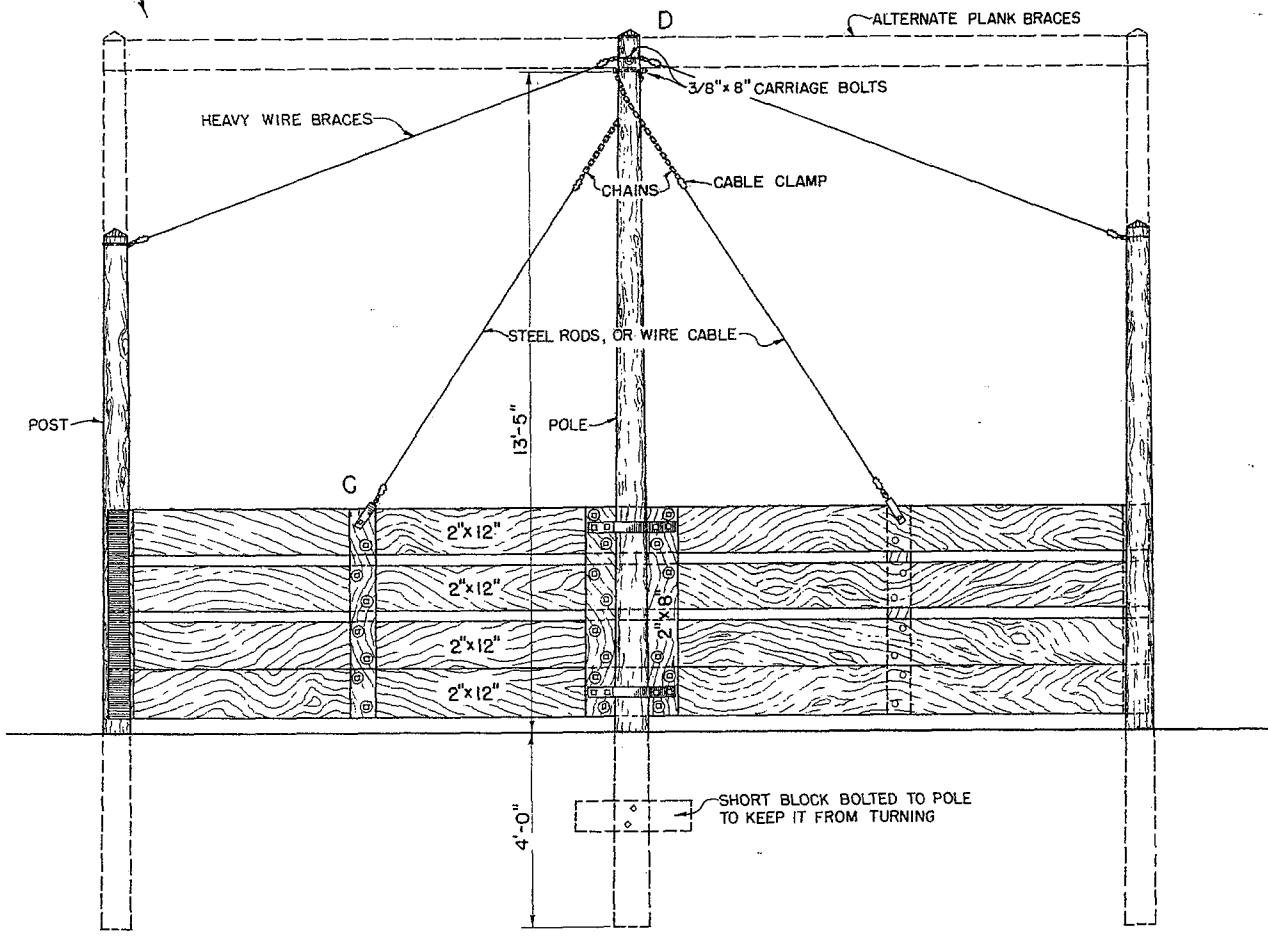
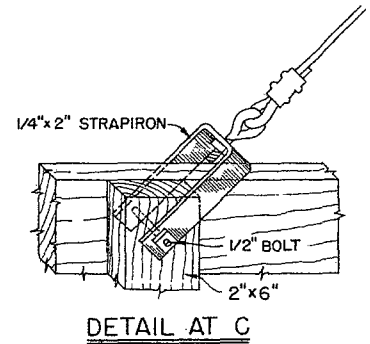


SCALE - 3/4" = 1'-0"



SCALE: 1/2" = 1'-0"

BILL OF MATERIALS

- 1 - 8" φ x 18'-0" POLE
- 2 - 6" φ x 15'-0" POSTS
- 4 - 2" x 12" x 22'-0" PLANKS
- 1 - 2" x 6" x 10'-0" CLEATS
- 2 - 2" x 6" x 10'-0" CLEATS
- 2 - 1/4" x 2" x 2'-6" BENT STRAPIRONS
- 2 - 1/4" x 2" x 2'-3" CLEAVISES
- 2 - 3/8" x 8" CARRIAGE BOLTS
- 58 - 3/8" x 4" CARRIAGE BOLTS
- 2 - 3/8" x 2" EYE BOLTS
- 58 - WASHERS TO FIT CARRIAGE BOLTS
- 5 - LINEAL FEET OF LINK CHAIN
- 50 - LINEAL FEET OF 1/2" WIRE CABLE
- 8 - CABLE CLAMPS
- OLD TIRE CASING

LSU AgCenter <small>Research & Extension</small>	
AUTO-BUMPER GATE	
ENGINEER	SCALE: AS SHOWN
DRAWN BY	SHEET 1 OF 1
TRACED BY A.C.W.D.	DATE NO. 5614

Disclaimer

This site makes available conceptual plans that can be helpful in developing building layouts and selecting equipment for various agricultural applications. These plans do not necessarily represent the most current technology or construction codes. They are not construction plans and do not replace the need for competent design assistance in developing safe, legal and well-functioning agricultural building system. The LSU Agriculture Center, the Mid-West Plan Service, the United States Department of Agriculture and none of the cooperating land-grant universities warranty these plans.