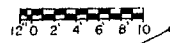


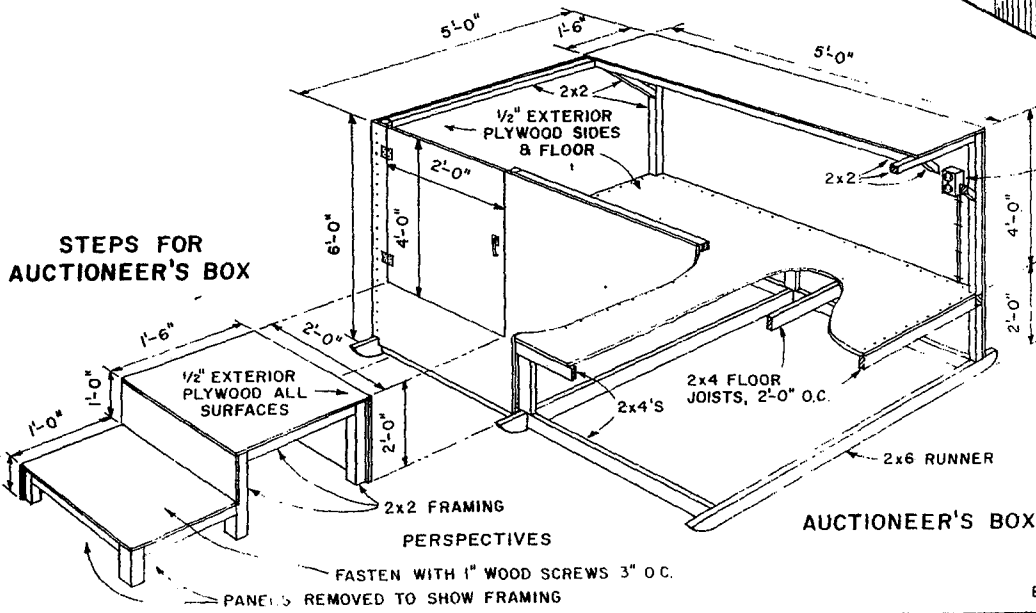
FLOOR PLAN

SCALE: 1/8" = 1'-0"



NOTE:
CONSULT LOCAL HEALTH AND
BUILDING CODE AUTHORITIES
BEFORE STARTING CONSTRUCTION.

SHED LENGTH CAN BE INCREASED IN 10'-0" UNITS



AUCTIONEER'S BOX

PLUG IN WITH
EXTENSION CORD

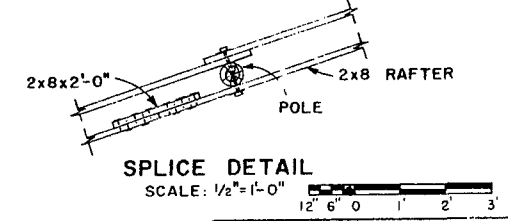
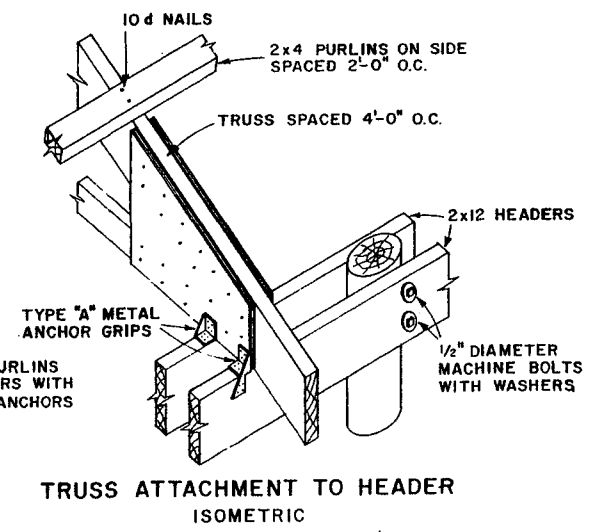
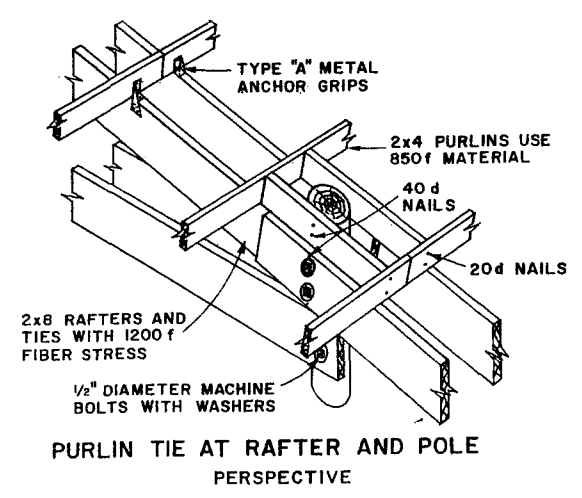
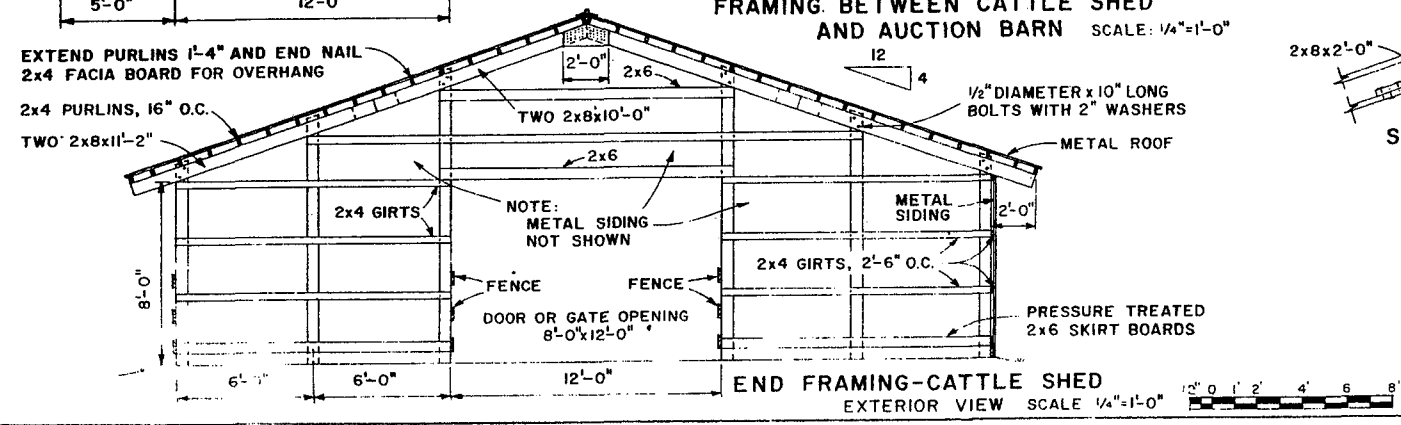
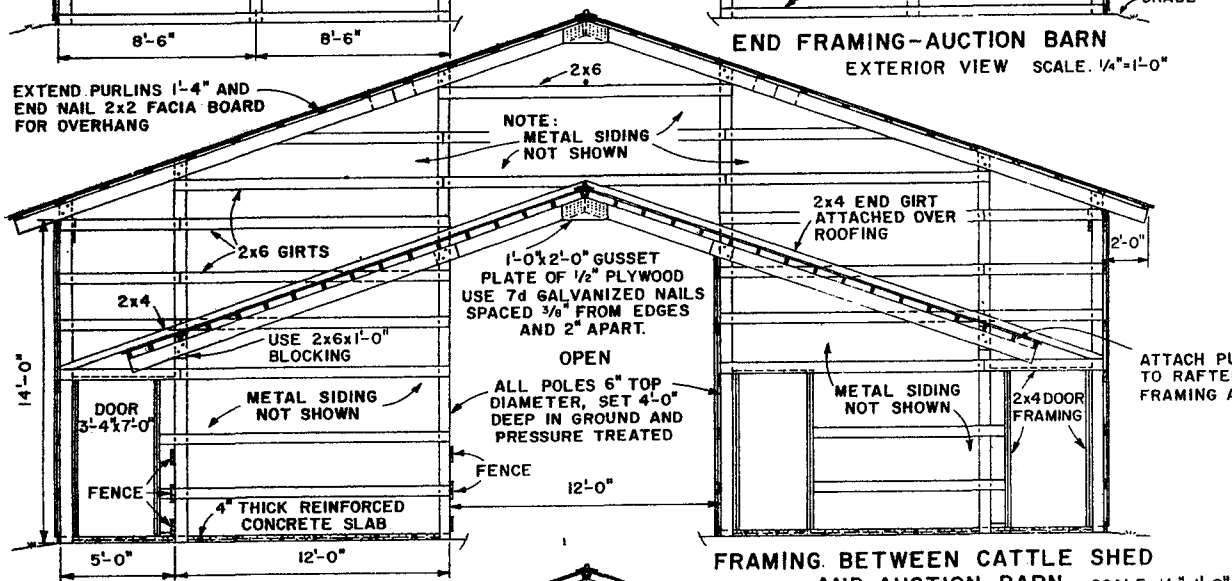
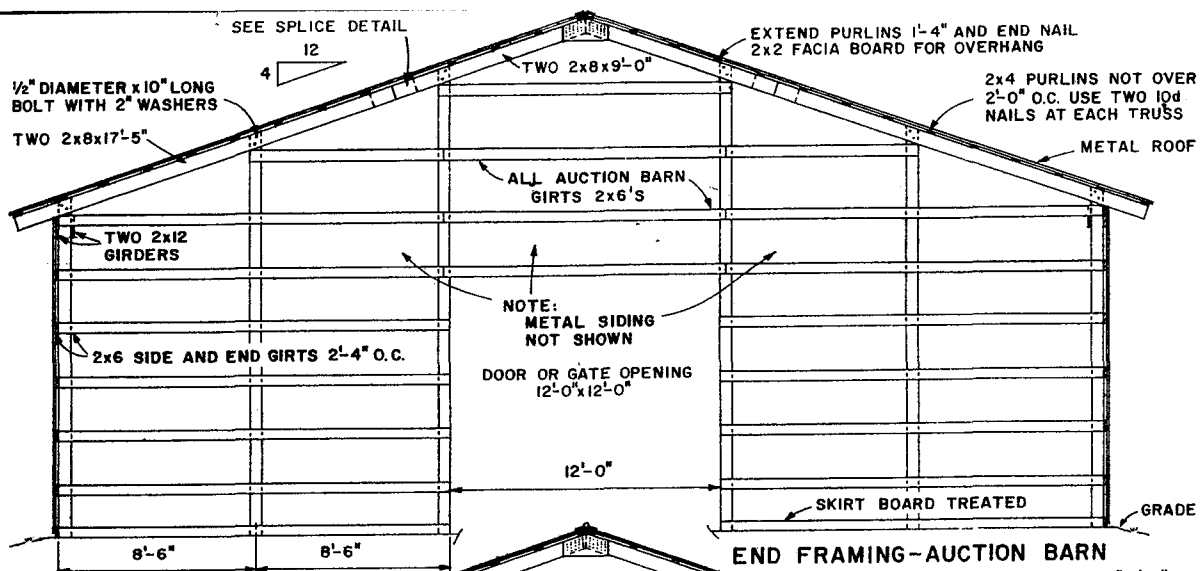
PERSPECTIVE



**CATTLE SHED AND
AUCTION BARN**

WYO. '73 6172 SHEET 1 OF 3

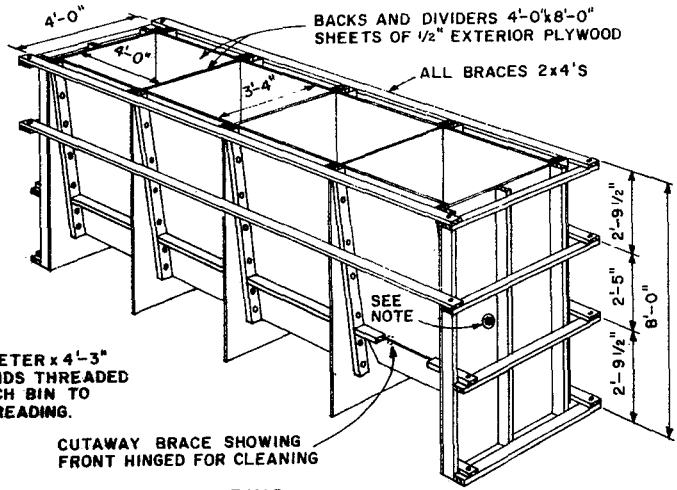
BASED ON: UNIV OF WYOMING PLAN NO. 69



LSU
AgCenter
RESEARCH & EXTENSION

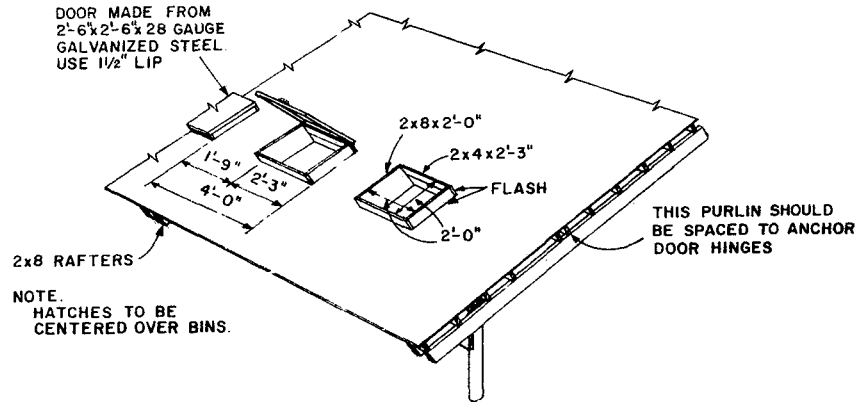
CATTLE SHED AND AUCTION BARN

WYO. '73 6172 SHEET 2 OF 3

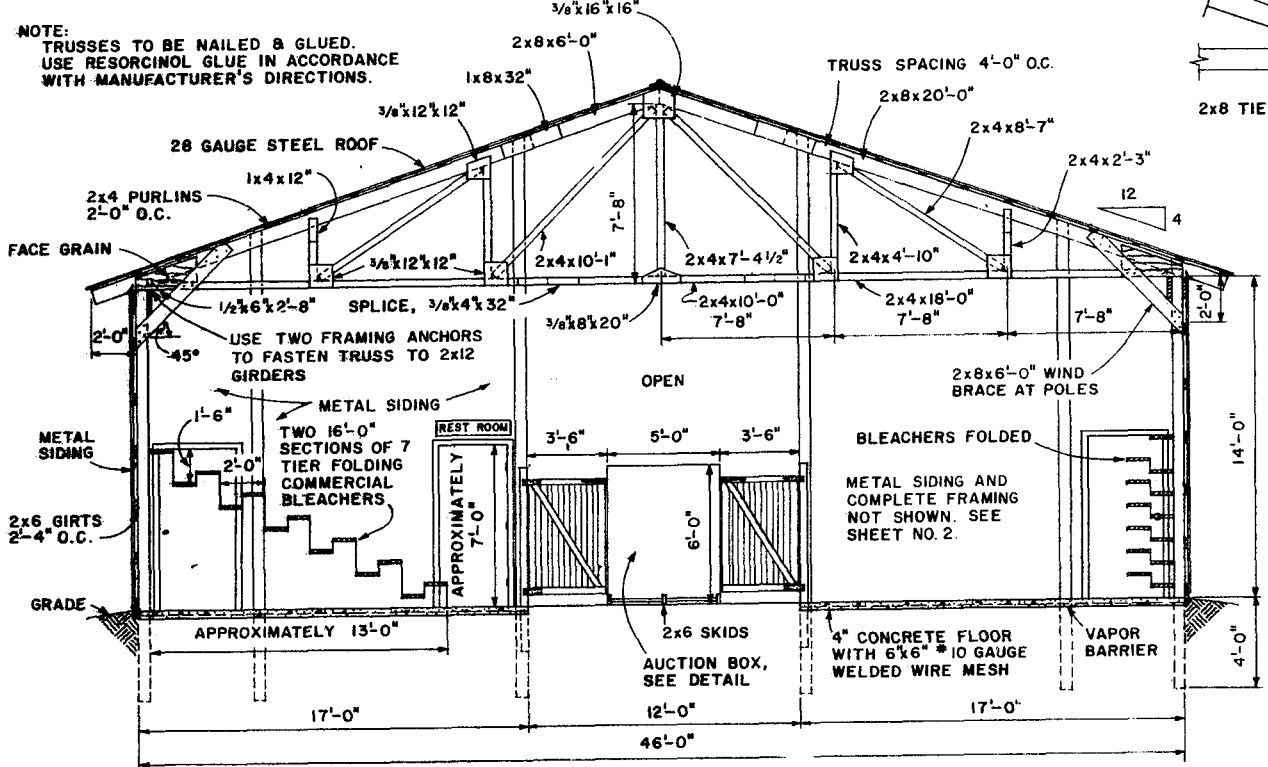


NOTE:
USE 1/2" DIAMETER x 4'-3" ROD WITH ENDS THREADED THROUGH EACH BIN TO PREVENT SPREADING.

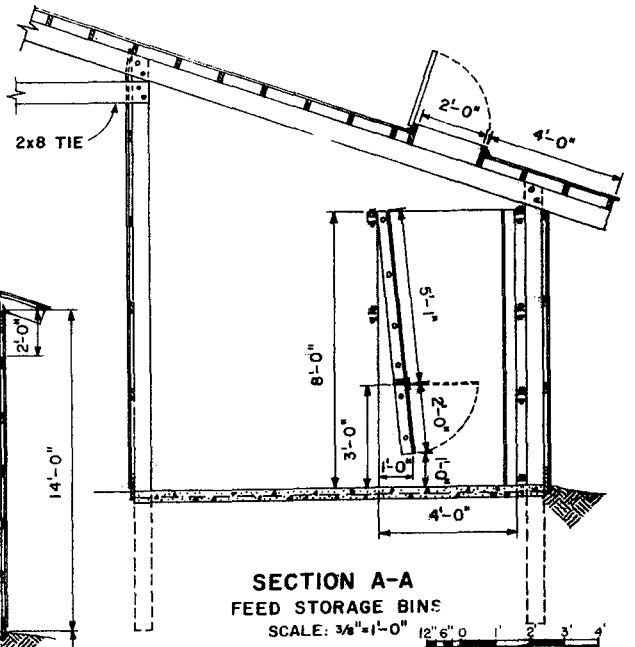
FEED BINS PERSPECTIVE



ROOF HATCHES FOR FILLING BINS PERSPECTIVE



ELEVATION "A"
SCALE: 1/4"=1'-0"
12 0 1 2 3 4 5 6



NOTE:
USE ARTIFICIAL LIGHTING OR TRANSLUCENT FIBERGLASS ROOF PANELS.

LSU
AgCenter
Louisiana State University

CATTLE SHED AND AUCTION BARN

| | | | |
|------|-----|------|--------------|
| WYO. | '73 | 6172 | SHEET 3 OF 3 |
|------|-----|------|--------------|

Disclaimer

This site makes available conceptual plans that can be helpful in developing building layouts and selecting equipment for various agricultural applications. These plans do not necessarily represent the most current technology or construction codes. They are not construction plans and do not replace the need for competent design assistance in developing safe, legal and well-functioning agricultural building system. The LSU Agriculture Center, the Mid-West Plan Service, the United States Department of Agriculture and none of the cooperating land-grant universities warranty these plans.