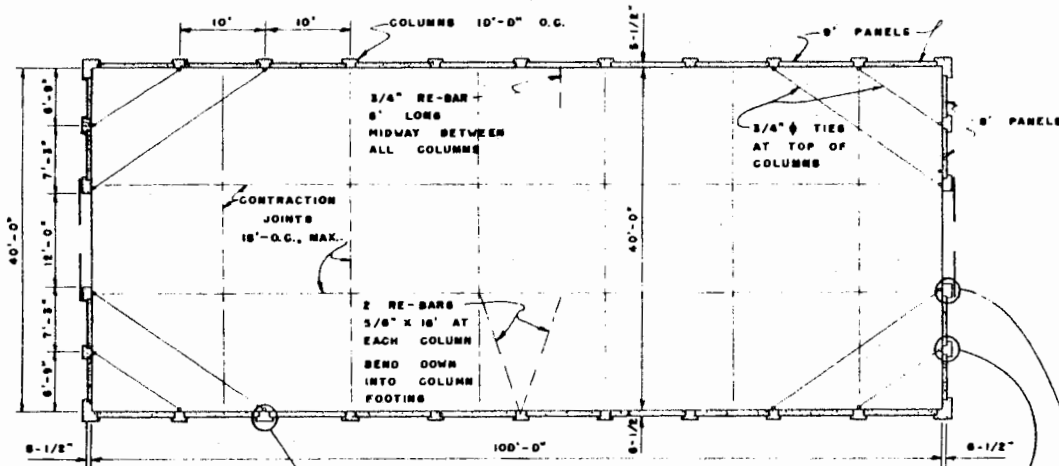


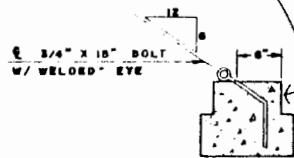
**PERSPECTIVE**

NOTE: OVER-ALL DIMENSIONS SHOWN ARE INSIDE TO INSIDE OF WALLS



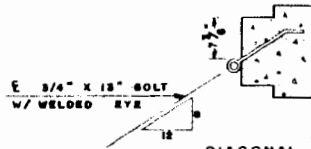
**FLOOR PLAN**

SCALE: 3/32" = 1'-0"



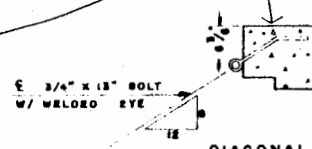
**DIAGONAL TIE**  
SIDE - WALL COLUMN  
PLACE JUST BELOW  
CROSS TIE SLEEVE

SCALE: 3/4" = 1'-0"



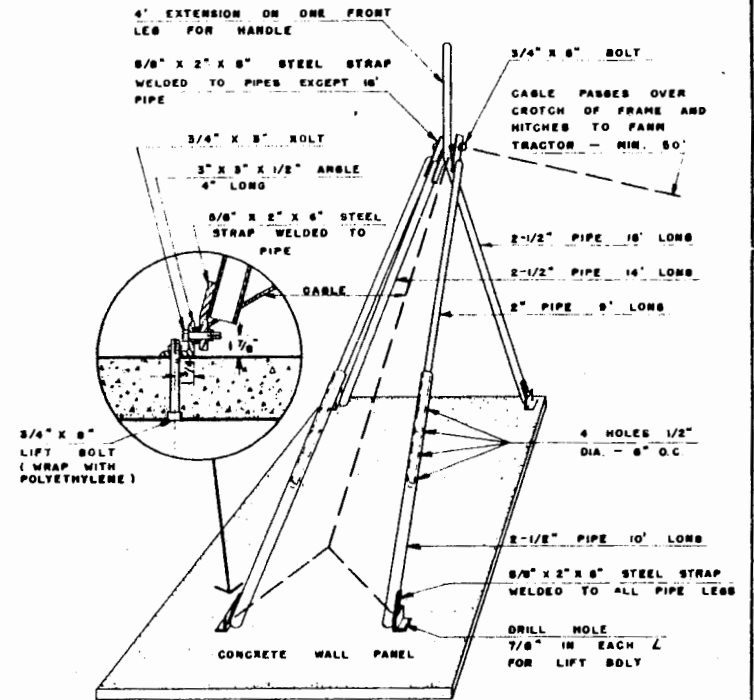
**DIAGONAL TIE**  
END - WALL COLUMN  
PLACE 3-1/2" FROM TOP

SCALE: 3/4" = 1'-0"



**DIAGONAL TIE**  
DOOR COLUMN  
PLACE 3-1/2" FROM TOP

SCALE: 3/4" = 1'-0"



**TILTING FRAME**

USED WITH FARM TRACTOR

**IMPORTANT**

WALL SLABS AND COLUMNS TO BE COMPOSED OF CONCRETE HAVING NOT MORE THAN 6 GAL. TOTAL MIXING WATER PER SACK OF CEMENT.

WALL PANELS MUST HAVE COMPRESSIVE STRENGTH OF 2000 LB./SQ. IN. BEFORE BEING TILTED UP.

THIS REQUIRES CONTINUOUS MOIST CURING FOR A PERIOD OF :

- 4 DAYS AT 70° or 6 DAYS AT 60°
- 8 DAYS AT 50° or 10 DAYS AT 40°

.....IN COOPERATION WITH THE PORTLAND CEMENT ASSOC.



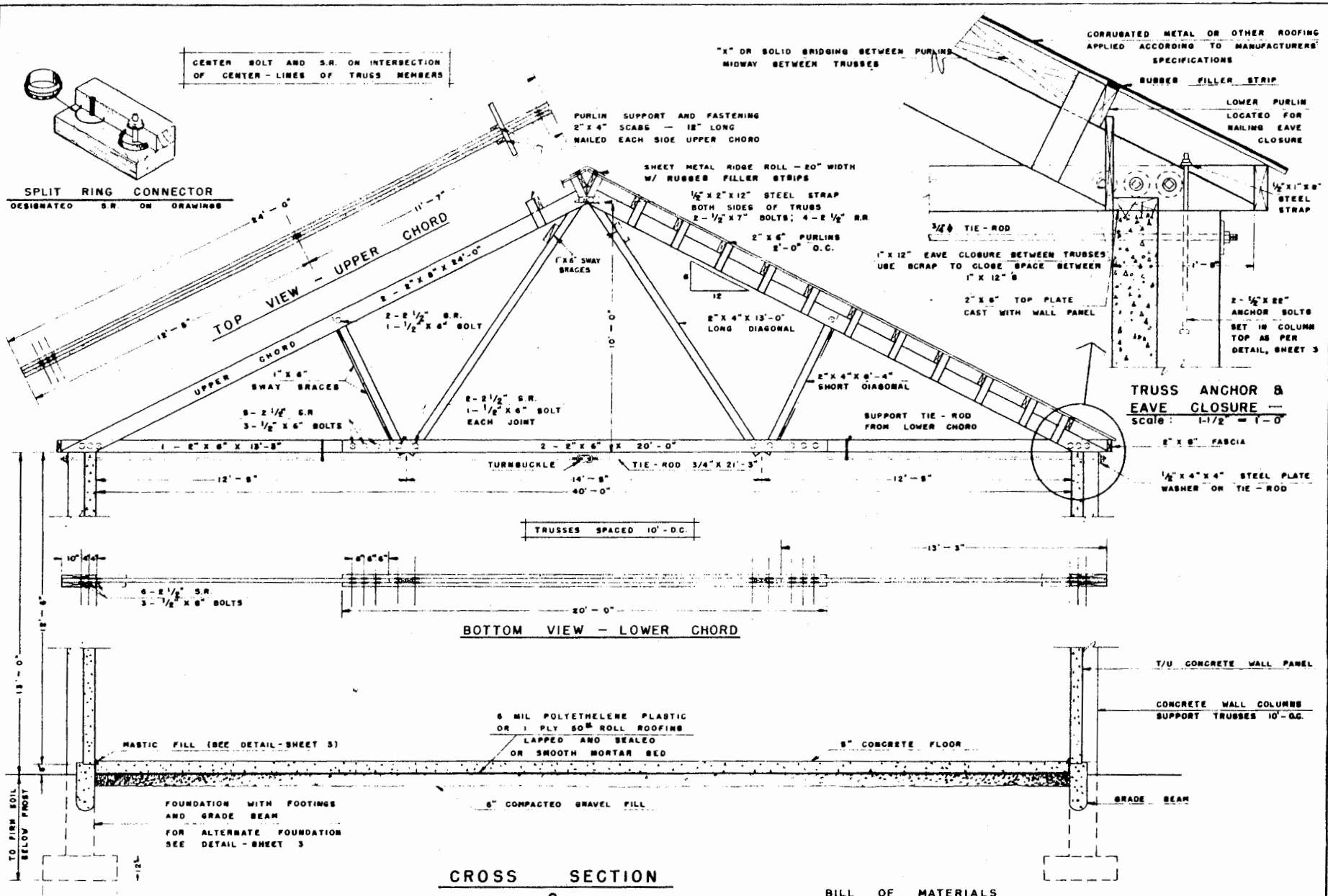
DESIGNED BY...  
G. M. PETERSEN

E. A. OLSON

**GRAIN STORAGE BUILDING**  
TILT-UP CONCRETE CONSTRUCTION

NEBR '68 EX. 6059 SHEET 1 OF 4

NEBR PLAN NO. 10.732-27  
M.W.P.S. 73265



**CROSS SECTION & TRUSS DETAIL**  
scale 3/8" = 1'-0"

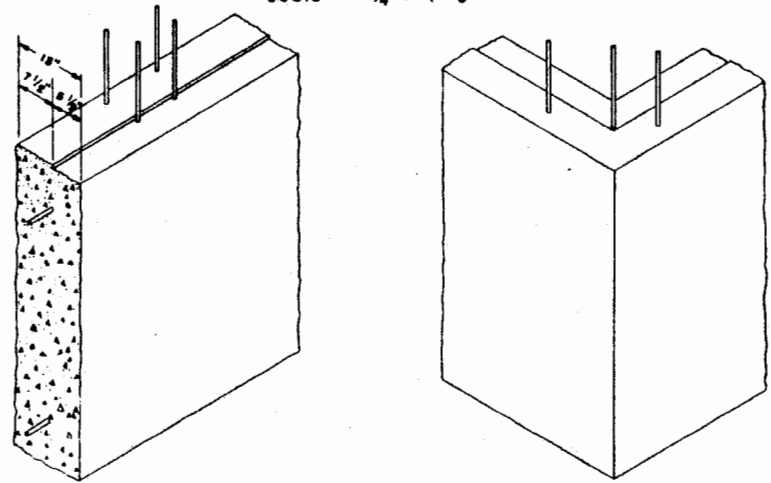
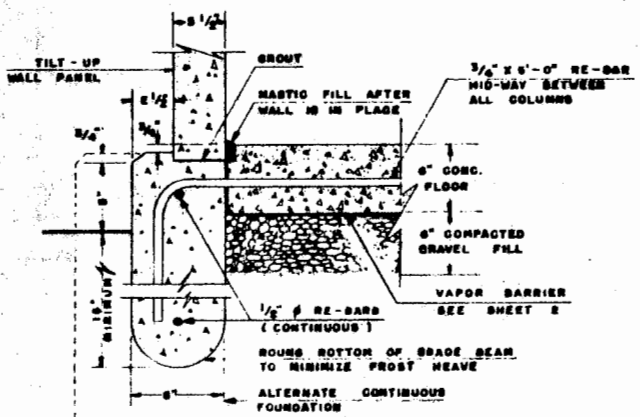
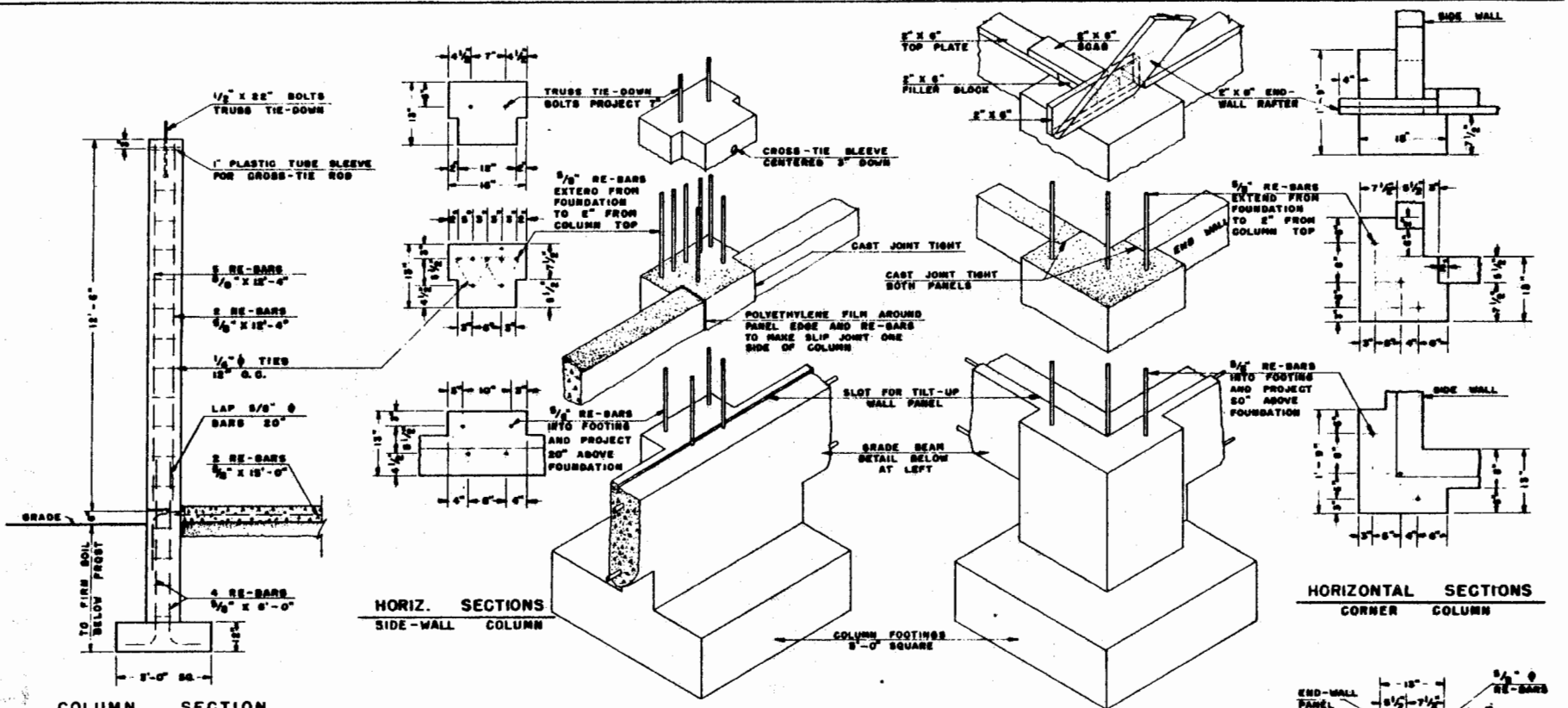
**BILL OF MATERIALS**


ITEM	NO.	DESCRIPTION	lbs
UPPER CHORD	4	2" X 6" X 24'-0"	120
LOWER CHORD	2	2" X 6" X 20'-0"	40
	2	2" X 6" X 14'-0"	28
LONG DIAGONAL	2	2" X 4" X 14'-0"	19 1/2
SHORT DIAGONAL	1	2" X 4" X 14'-0"	9 1/2
SPLIT RINGS	40	2 1/2"	
BOLTS & WASHERS	18	1/2" X 8"	
	2	1/2" X 7"	

**LSU**  
**AgCenter**  
RESEARCH & EXTENSION

**GRAIN STORAGE BUILDING  
TILT-UP CONCRETE CONSTRUCTION**

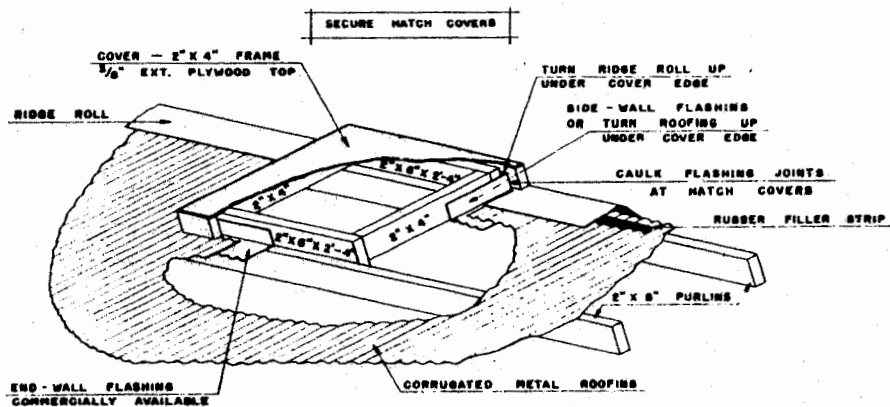
NEBR '68 EX. 6059 SHEET 2 OF 6



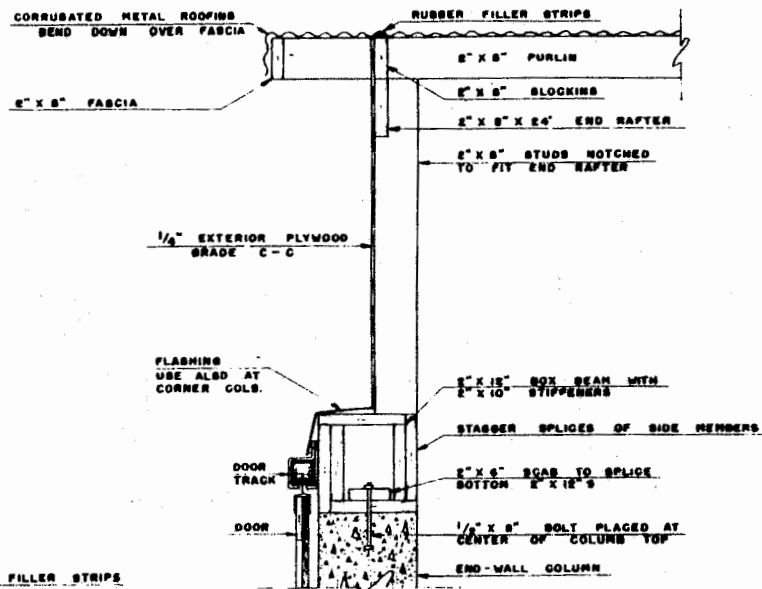


**LSU**  
**AgCenter**  
RESEARCH & EXTENSION

<b>GRAIN STORAGE BUILDING TILT-UP CONCRETE CONSTRUCTION</b>		
NEBR. '68	EX. 6059	SHEET 3 OF 6

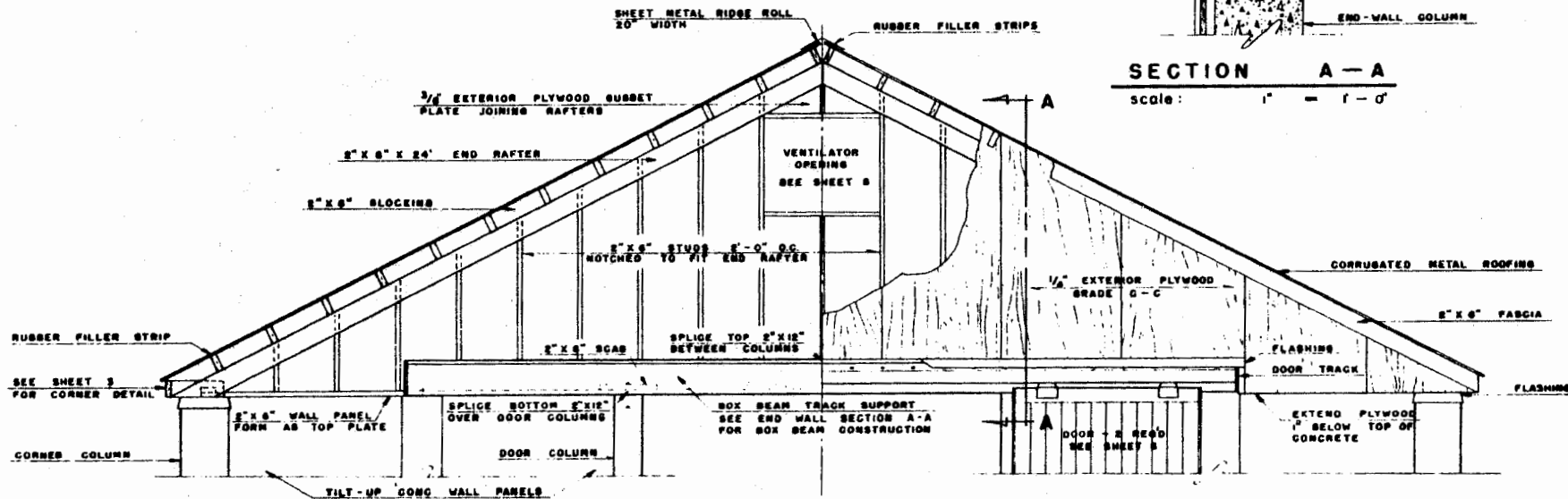


**ROOF HATCH DETAIL**



**SECTION A - A**

scale: 1" = 1'-0"



**END WALL DETAIL**

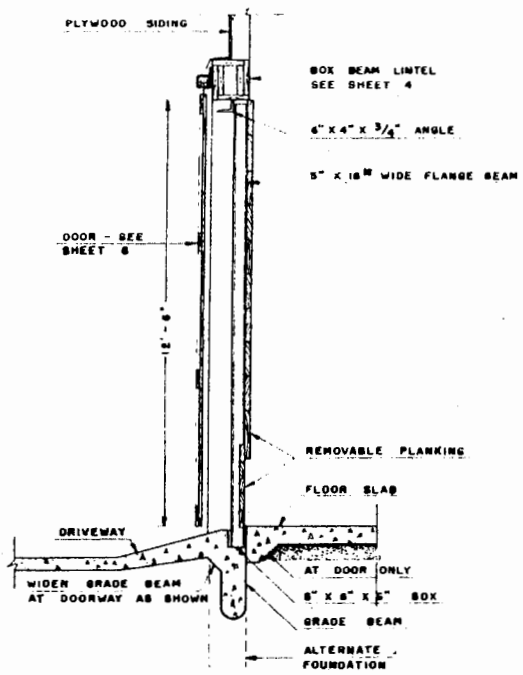
scale: 3/8" = 1'-0"

NOTE:  
ALL DIMENSIONS OF END WALL  
DETAIL SAME AS TRUSS DIMENSIONS  
UNLESS OTHERWISE NOTED  
SCAB TO FASTEN PURLIN TO  
RAFTER NOT REQUIRED AT END WALL

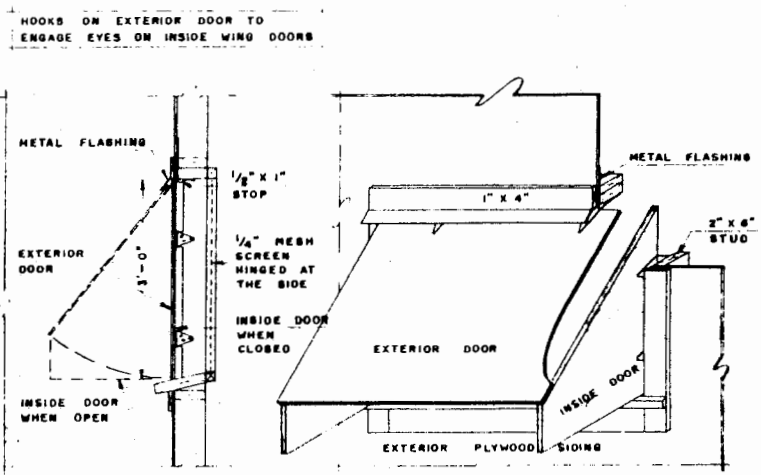
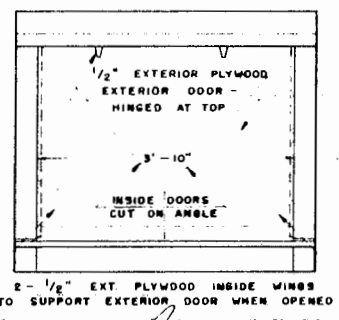


**GRAIN STORAGE BUILDING  
TILT-UP CONCRETE CONSTRUCTION**

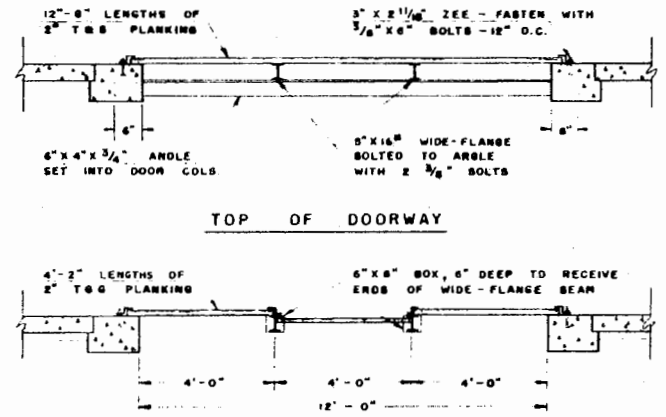
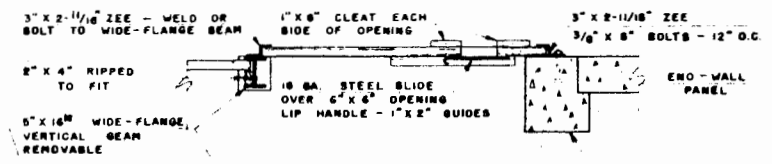
NEBR. '68 EX. 6059 SHEET 4 OF 6



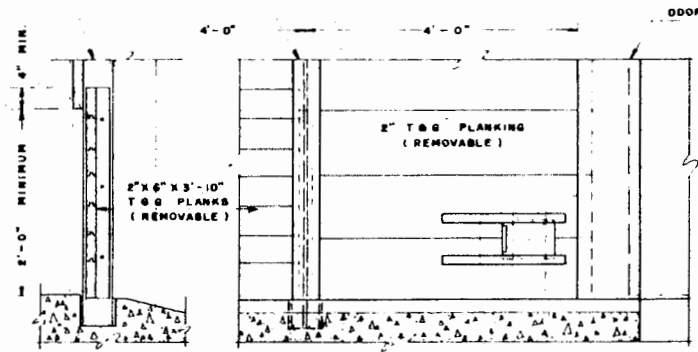
**SECTION AT DOORWAY**  
scale:  $\frac{3}{8}'' = 1'-0''$




**VENTILATOR DETAILS**  
scale:  $\frac{3}{4}'' = 1'-0''$



**HORIZONTAL DOORWAY SECTIONS**  
scale:  $\frac{3}{8}'' = 1'-0''$



**GRAIN OPENING DETAILS**  
scale:  $\frac{3}{4}'' = 1'-0''$

		
<b>GRAIN STORAGE BUILDING</b> TILT-UP CONCRETE CONSTRUCTION		
NEBR '68	EX. 6059	SHEET 5 OF 6



## Disclaimer

This site makes available conceptual plans that can be helpful in developing building layouts and selecting equipment for various agricultural applications. These plans do not necessarily represent the most current technology or construction codes. They are not construction plans and do not replace the need for competent design assistance in developing safe, legal and well-functioning agricultural building system. The LSU Agriculture Center, the Mid-West Plan Service, the United States Department of Agriculture and none of the cooperating land-grant universities warranty these plans.