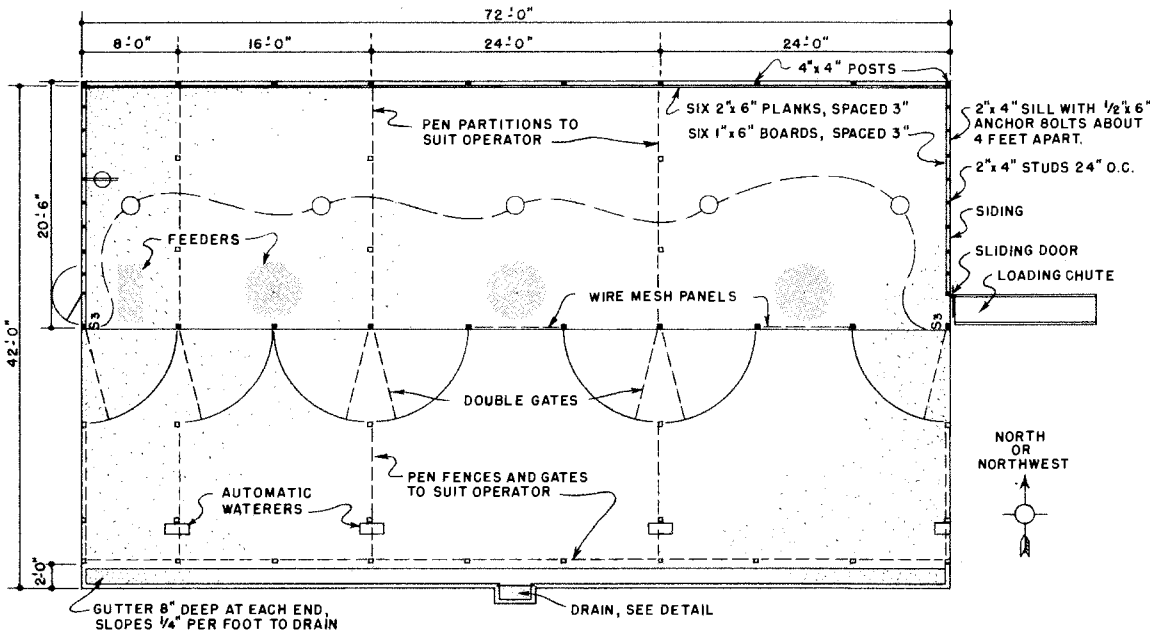


CROSS SECTION

SCALE: 3/8" = 1'-0"



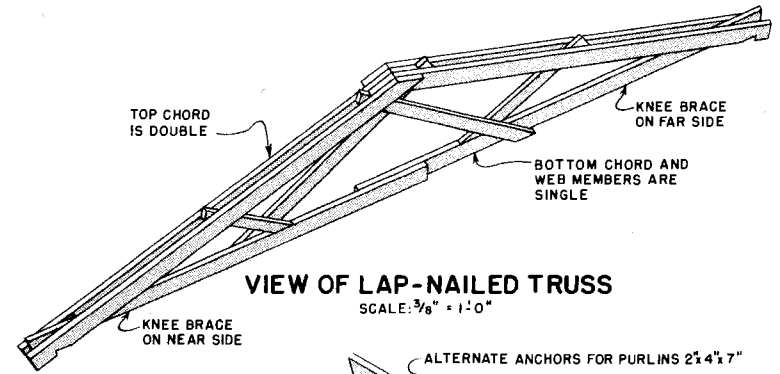
PLAN

SCALE: 1/8" = 1'-0"

ALL POSTS AND OTHER WOOD IN CONTACT WITH EARTH OR CONCRETE TO BE PRESSURE-TREATED.

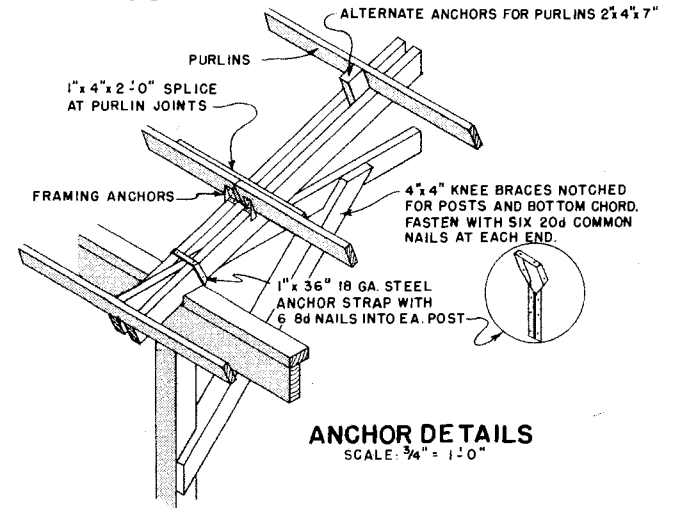
THE WIRE MESH PANELS ARE LOWERED ONLY WHEN THE ANIMALS ARE TO BE CONFINED UNDER SHELTER... WHEN THE FEEDERS ARE BEING FILLED, ETC.

TYPE OF WIRE AND GROUNDED MOISTURE PROOF SWITCHES, OUTLETS AND FIXTURES SHOULD BE USED.



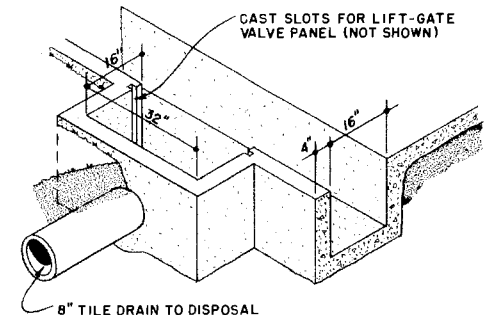
VIEW OF LAP-NAILED TRUSS

SCALE: 3/8" = 1'-0"



ANCHOR DETAILS

SCALE: 3/4" = 1'-0"



GUTTER DRAIN DETAIL

SCALE: 1/2" = 1'-0"



HOG FEEDING UNIT

USDA '62 EX 5945 SHEET 1 OF 1

Disclaimer

This site makes available conceptual plans that can be helpful in developing building layouts and selecting equipment for various agricultural applications. These plans do not necessarily represent the most current technology or construction codes. They are not construction plans and do not replace the need for competent design assistance in developing safe, legal and well-functioning agricultural building system. The LSU Agriculture Center, the Mid-West Plan Service, the United States Department of Agriculture and none of the cooperating land-grant universities warranty these plans.