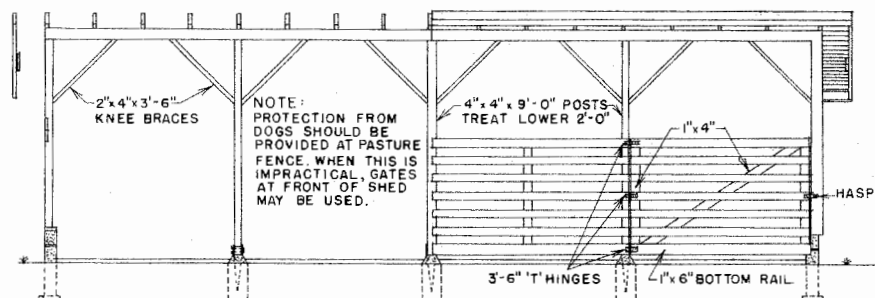


FRAMING

ELEVATION

END ELEVATION

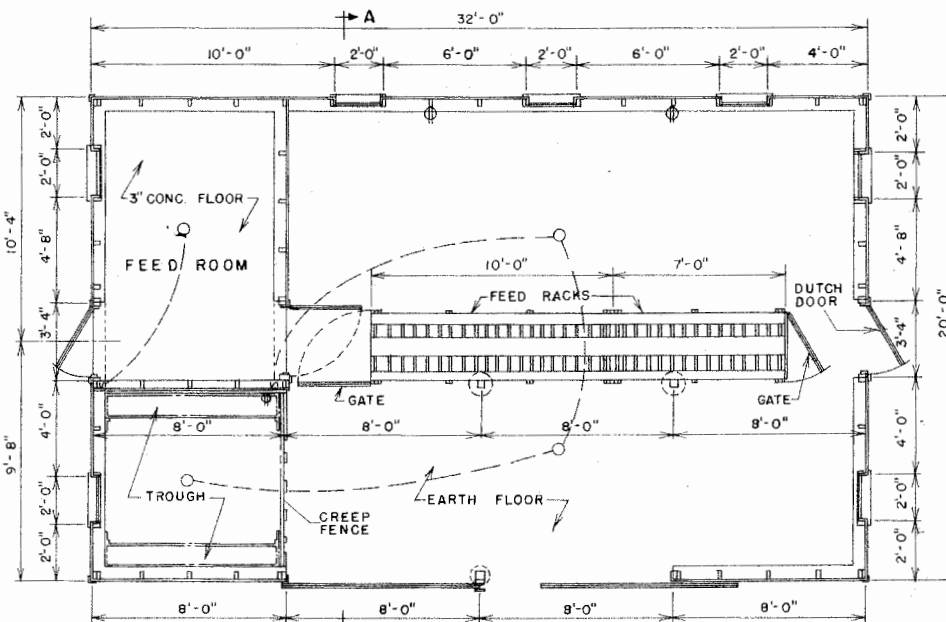
FRONT A
FOR COLDER CLIMATES



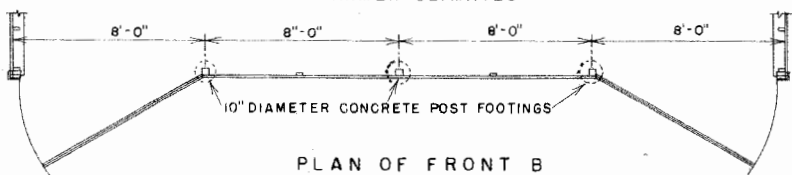
FRAMING

ELEVATION

FRONT B
FOR WARMER CLIMATES

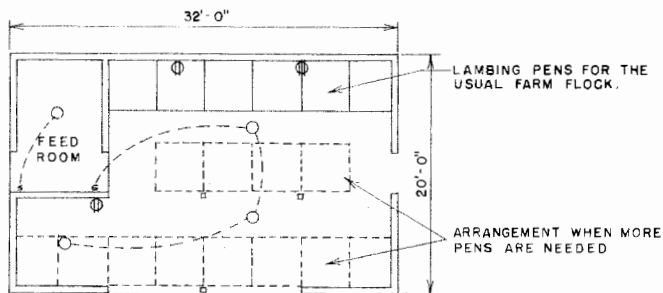


PLAN WITH FRONT A

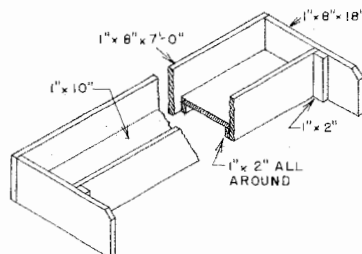


PLAN OF FRONT B

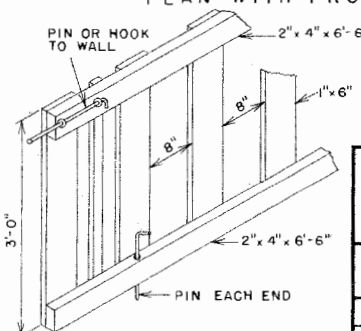
SCALE 1/4" = 1'-0"



PLAN SHOWING LAMBING PEN
ARRANGEMENT
NO SCALE

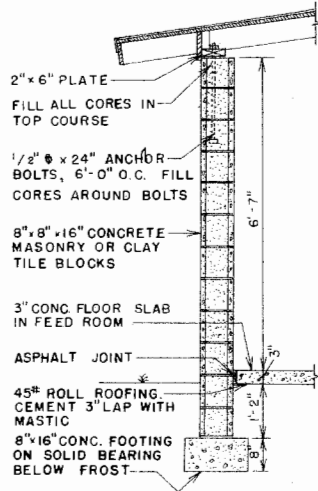


LAMB FEED TROUGH

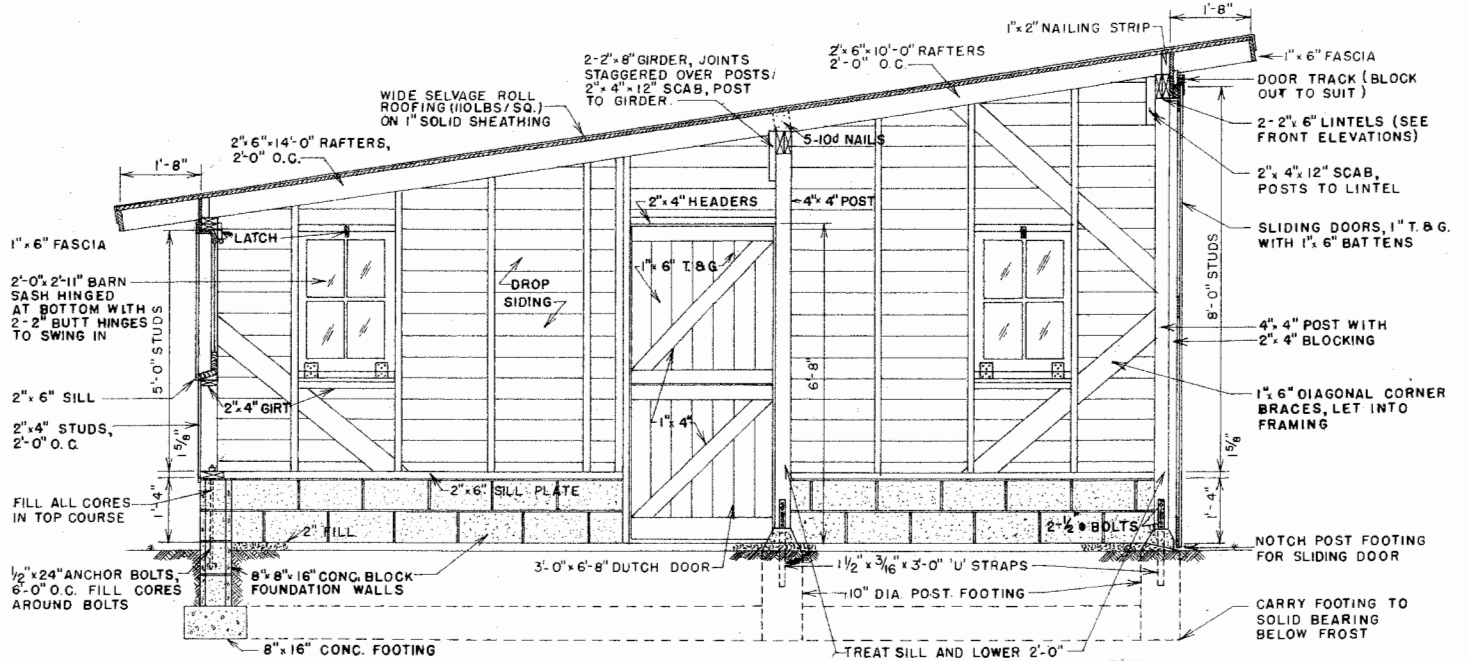


CREEP FENCE
REVISED 1954

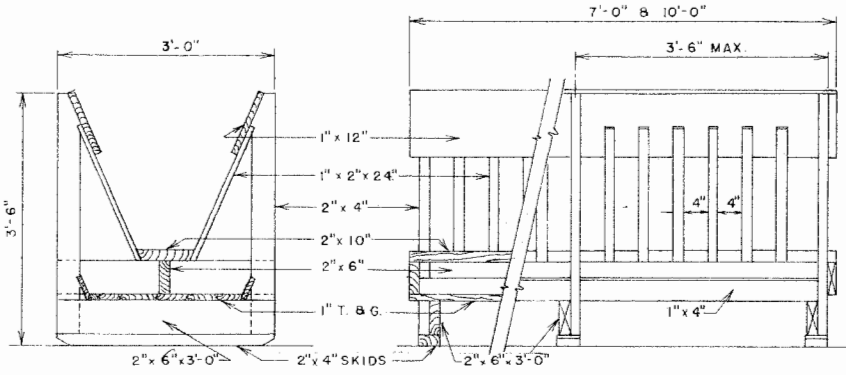
SHEEP SHED CAPACITY, 32 SHEEP OR 16 LAMBING PENS	
ENGINEER USDA '52	SCALE AS SHOWN
DRAWN BY	SHEET 1 OF 2
TRACED BY RKL	DATE
	NO. 5753



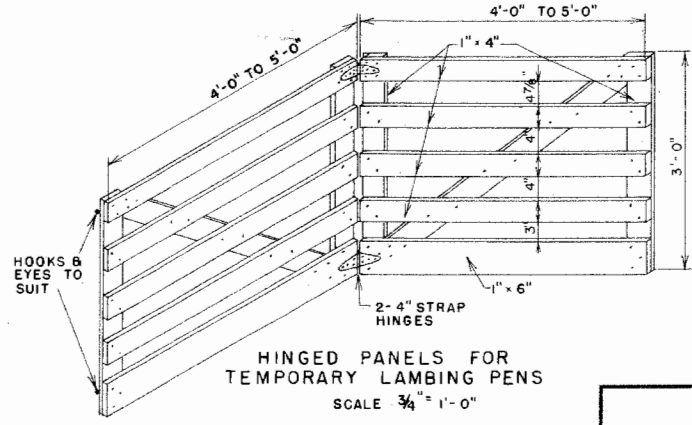
ALTERNATE CONCRETE
MASONRY WALL
SCALE $\frac{1}{2}'' = 1'-0''$



SECTION A-A
SCALE $\frac{1}{2}'' = 1'-0''$



SECTION CUT-AWAY ELEVATION
MOVABLE FEED RACKS
SCALE $\frac{3}{4}'' = 1'-0''$



HINGED PANELS FOR
TEMPORARY LAMBING PENS
SCALE $\frac{3}{4}'' = 1'-0''$



SHEEP SHED
CAPACITY, 32 SHEEP OR 18 LAMBING PENS

ENGINEER USDA '52	SCALE AS SHOWN
DRAWN BY	SHEET 2 OF 2
TRACED BY RKL	DATE
	NO. 5753

Disclaimer

This site makes available conceptual plans that can be helpful in developing building layouts and selecting equipment for various agricultural applications. These plans do not necessarily represent the most current technology or construction codes. They are not construction plans and do not replace the need for competent design assistance in developing safe, legal and well-functioning agricultural building system. The LSU Agriculture Center, the Mid-West Plan Service, the United States Department of Agriculture and none of the cooperating land-grant universities warranty these plans.