

CROSS SECTION A-A
SCALE: 3/4" = 1'-0"

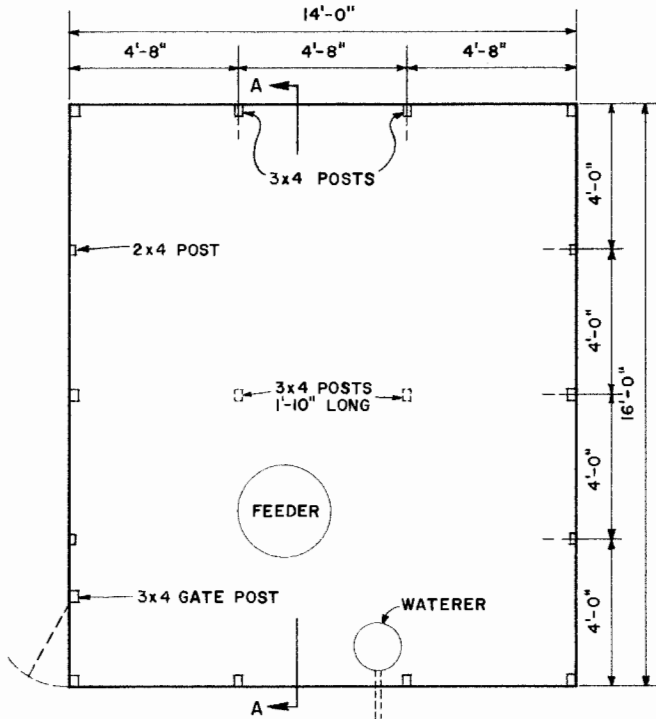
LIST OF MATERIALS:

- BRACES - 6 PCS. 2x6x5'-0"
 - GATE MATERIAL - 2 PCS. 1x4x10'-0"
 - 2-4" T-HINGES
 - GIRDERS AND TOP RAILING - 1 PC. 2x10x16'-0"
 - 2 PCS. 2x6x14'-0"
 - 2 PCS. 2x4x16'-0"
 - HARDWARE - 22-1/2" x 7 1/2" BOLTS
 - 36-1/2" x 5 1/2" BOLTS
 - 8-1/2" x 4 1/2" BOLTS
 - NAILS
 - JOISTS - 4 PCS. 2x6x16'-0"
 - POSTS - 4 PCS. 3x4x5'-0"
 - 2 PCS. 3x4x7'-0"
 - 5 PCS. 3x4x4'-10"
 - 4 PCS. 2x4x4'-10"
 - 2 PCS. 3x4x2'-0"
 - 4 PCS. 2x4x12'-0"
 - RAFTERS - 4 PCS. 2x4x12'-0"
 - ROOFING MATERIAL - 195 SQ. FT. METAL ROOFING
 - RUNNERS - 6 PCS. 2x6x16'-0"
 - PURLINS - 7 PCS. 2x4x16'-0"
 - SLATS - 41 PCS. 2x4x14'-0"
 - WATERER - HOG, WITH ELECTRIC HEATING ELEMENT AND PIPE
 - WIRE - 3'-0" x 60'-0" OF 1" CHAIN LINK WIRE FENCING OR EQUIVALENT
- * PRESSURE TREATED

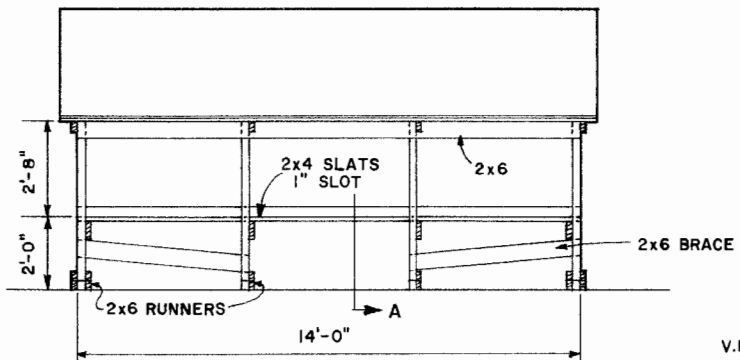
NOTE:
GREEN OAK SLATS SPACED 3/4" APART. WHEN DRIED, SLOT WILL BE 1".
ALL LUMBER EXCEPT RAFTERS, PURLINS, & SLATS TO BE PRESSURE TREATED.

ALTERNATE ROOF

HEIGHT OF ROOF MAY BE INCREASED BY ALTERING LENGTH OF 3x4 POSTS SUPPORTING ROOF, SO THAT A MAN CAN STAND UPRIGHT & SO THAT A LARGE FEEDER CAN BE OPENED & REFILLED UNDER THE ROOF.



FLOOR PLAN
SCALE: 3/8" = 1'-0"



REAR FRAMING
SCALE: 3/8" = 1'-0"

NOTE:
AFTER EACH GROUP OF HOGS IS FINISHED, MOVE UNIT TO NEW POSITION. CLEAN WASTE FROM OLD POSITION. CAPACITY 30 HOGS AND FOR FINISHING MORE HOGS, PROVIDE ADDITIONAL UNITS.
PROVIDE ONE WATERER WITH HEATING ELEMENT.

V.P.I. PLAN G-1.12

LSU AgCenter <small>Research & Extension</small>		
FEEDING UNIT FOR SWINE MOVABLE		
VA. '71	6114	SHEET 1 OF 1

Disclaimer

This site makes available conceptual plans that can be helpful in developing building layouts and selecting equipment for various agricultural applications. These plans do not necessarily represent the most current technology or construction codes. They are not construction plans and do not replace the need for competent design assistance in developing safe, legal and well-functioning agricultural building system. The LSU Agriculture Center, the Mid-West Plan Service, the United States Department of Agriculture and none of the cooperating land-grant universities warranty these plans.