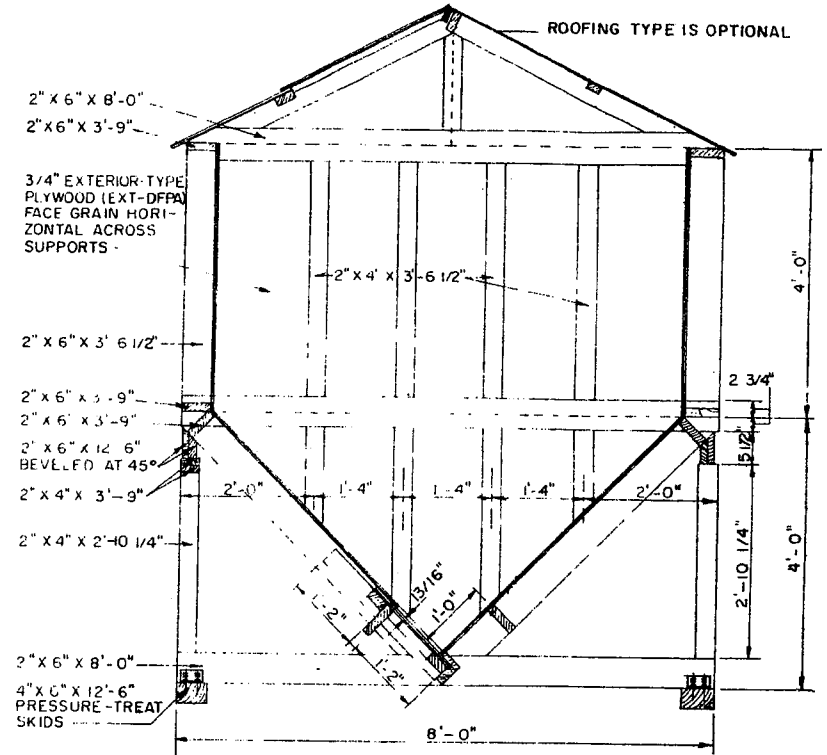


PERSPECTIVE

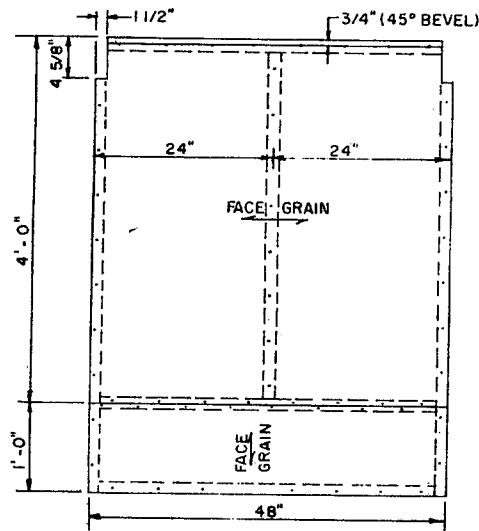


TYPICAL CROSS SECTION

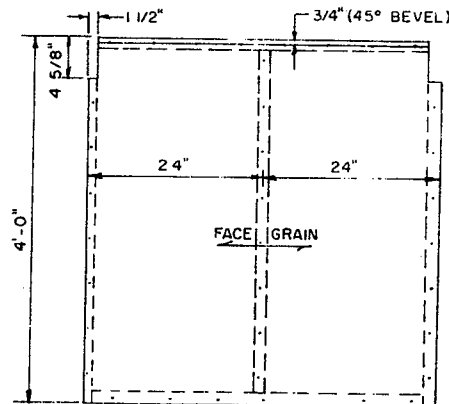
ALL PLYWOOD IS EXTERIOR-TYPE (EXT-DFPA) ROOF AND ROOF DOOR PLYWOOD IS 1/2" THICK ALL OTHER PLYWOOD IS 3/4" THICK.

NOTES:

- ALL FASTENERS SHOULD BE CORROSION RESISTANT OR STAINLESS STEEL.
- NAILS USE 8d NAILS 6" O.C. WHEN NAILING PLYWOOD TO SUPPORTS, ON ENDS OF BINS, 16d @ 6" O.C. (BULKHEADS)
- BULKHEADS ARE TIED TOGETHER WITH 1/2" RODS
- THE BIN MAY BE USED ON ANY SUPPORT SYSTEM SUCH AS PIER FOOTINGS, WELL BRACED LEGS OR LOW WALLS WITH FOOTINGS.
- EACH OF THE COMPARTMENTS HOLDS 5 TONS OF 60 PCF FERTILIZER
- THIS SHEET SHOWS A THREE COMPARTMENT BIN FOR BINS WITH MORE OR LESS, THE LENGTHS OF SKIDS AND SIDE MEMBERS SHOULD BE ADJUSTED.



BIN FLOOR DETAIL CLOSED SIDE



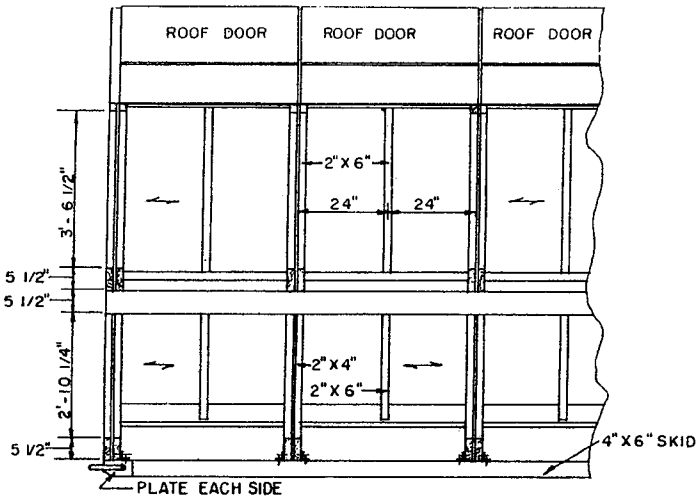
BIN FLOOR DETAIL DOOR OPENING SIDE

DESIGNED:  
AMERICAN PLYWOOD ASSOCIATION  
TACOMA, WASHINGTON

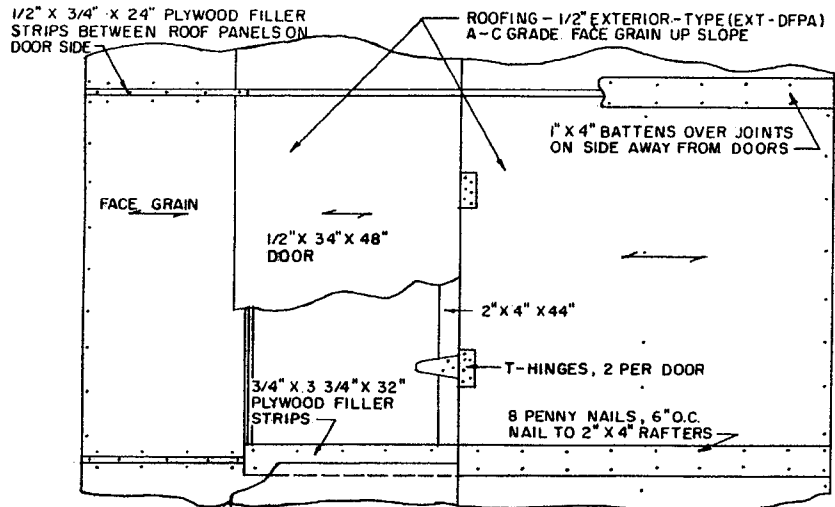


TRANSPORTABLE STORAGE BIN FOR FERTILIZER IN BULK

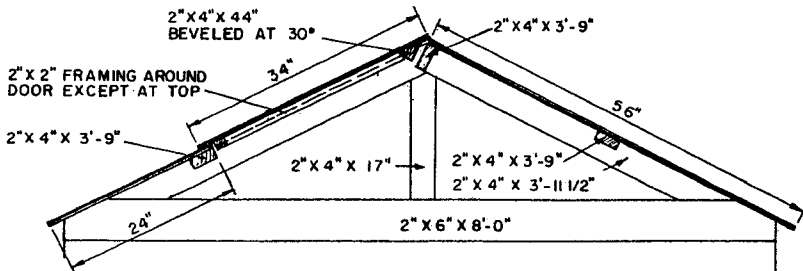
APA '69 6072 SHEET 1 OF 3



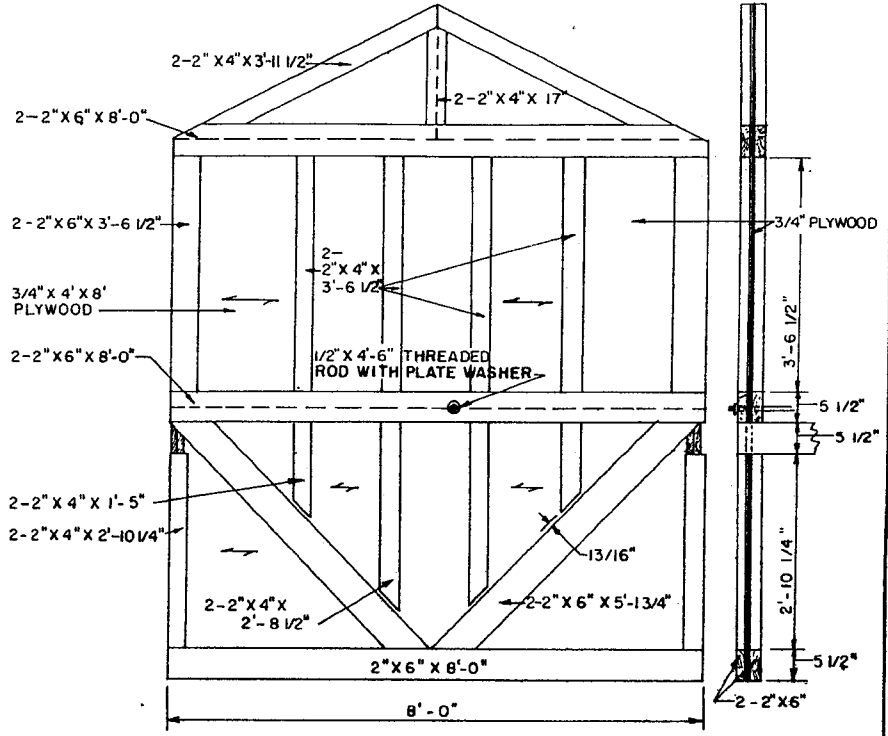
SIDE VIEW



ROOF PLAN




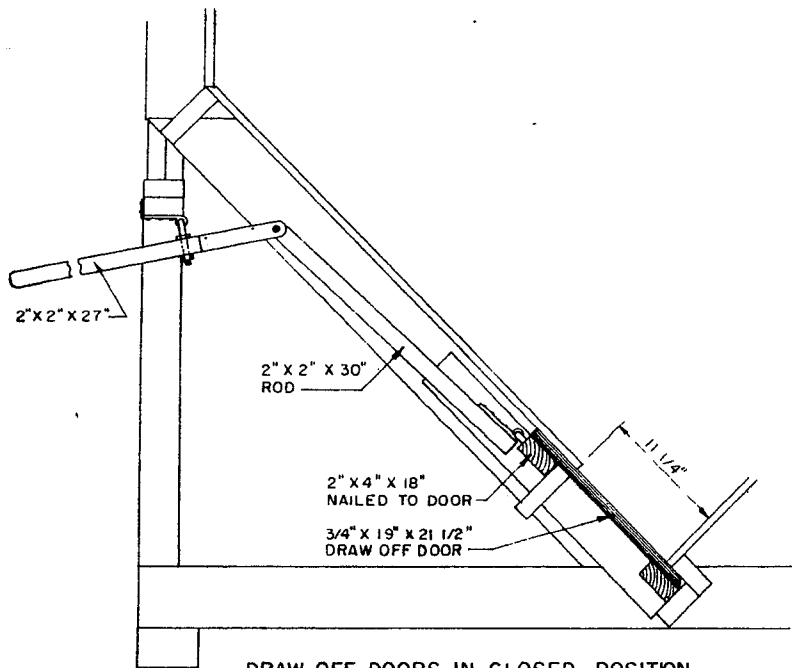
ROOF SECTION



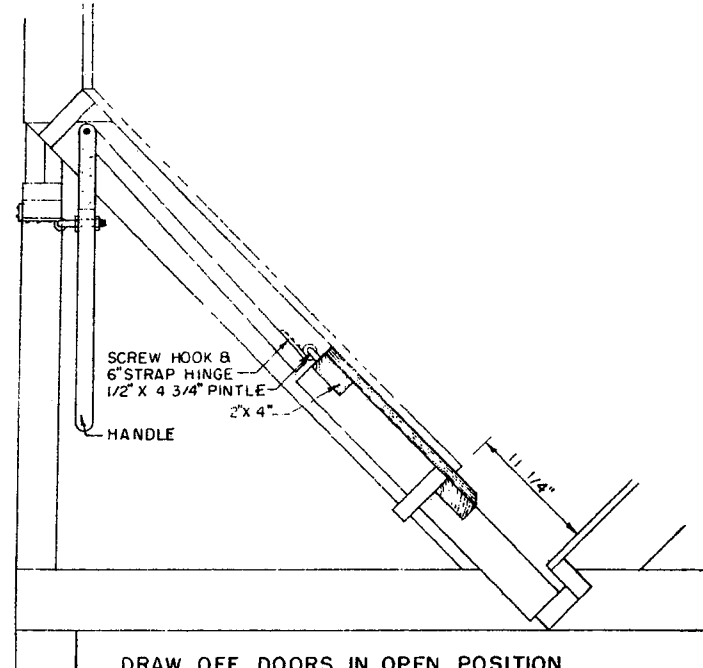
TYPICAL BULKHEAD

NOTES: USE 16 PENNY NAILS, 6" O.C. IN 2 ROWS, STAGGERED FOR BULKHEAD CONSTRUCTION.  
STAGGER THREADED RODS IN ADJACENT BINS

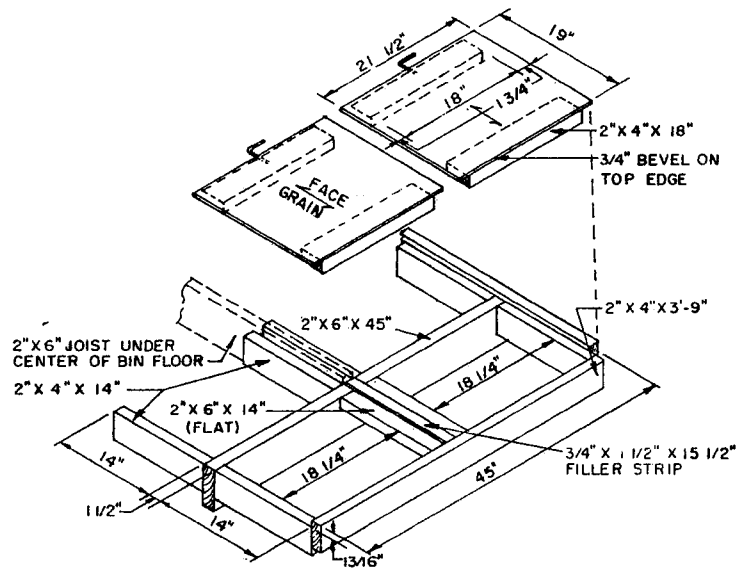
		
<b>TRANSPORTABLE STORAGE BIN FOR FERTILIZER IN BULK</b>		
APA	'69	6072
		SHEET 2 OF 3



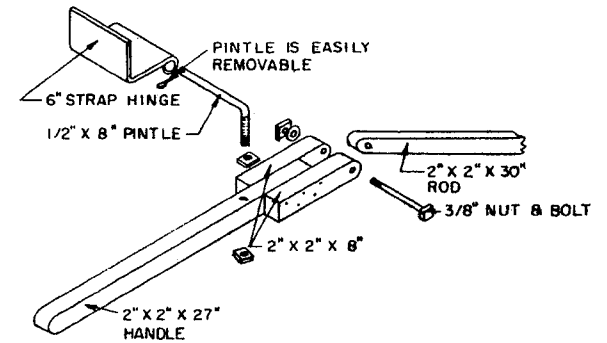
DRAW OFF DOORS IN CLOSED POSITION



DRAW OFF DOORS IN OPEN POSITION



DRAW OFF DOORS AND FRAMING SUPPORTS



HANDLE AND ROD ASSEMBLY FOR DRAW OFF DOORS

NOTES:  
HANDLE AND ROD ASSEMBLY IS INTENDED FOR EASY REMOVAL AND ONE OR TWO MAY BE ALL THAT IS REQUIRED FOR MULTIPLE UNITS



TRANSPORTABLE STORAGE BIN FOR FERTILIZER IN BULK

APA '69 6072 SHEET 3 OF 3

## Disclaimer

This site makes available conceptual plans that can be helpful in developing building layouts and selecting equipment for various agricultural applications. These plans do not necessarily represent the most current technology or construction codes. They are not construction plans and do not replace the need for competent design assistance in developing safe, legal and well-functioning agricultural building system. The LSU Agriculture Center, the Mid-West Plan Service, the United States Department of Agriculture and none of the cooperating land-grant universities warranty these plans.