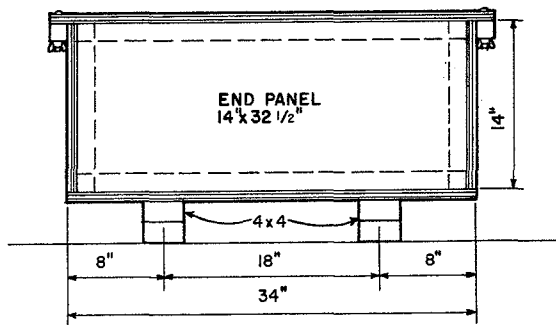
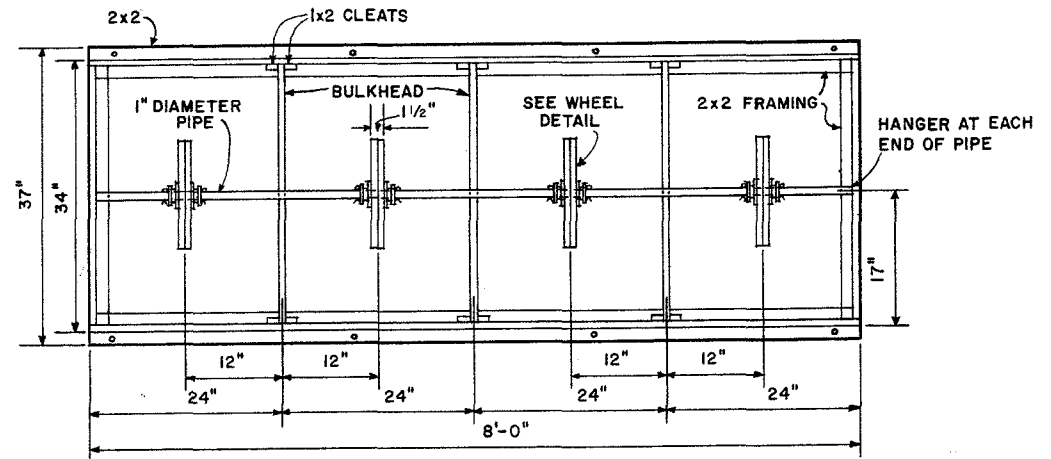


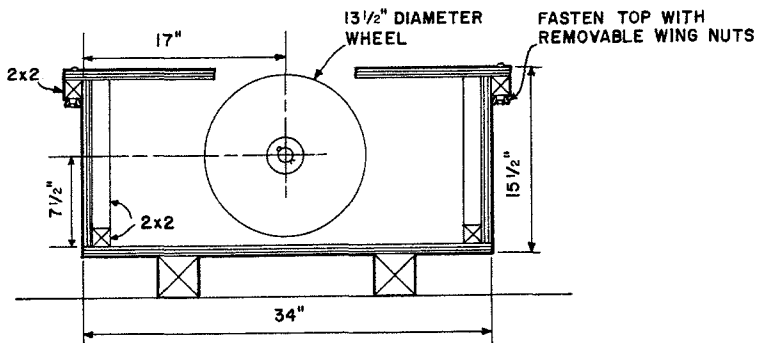
NOTE: ENDS, SIDES, TOP AND BOTTOM - 3/4" EXTERIOR DFPA PLYWOOD



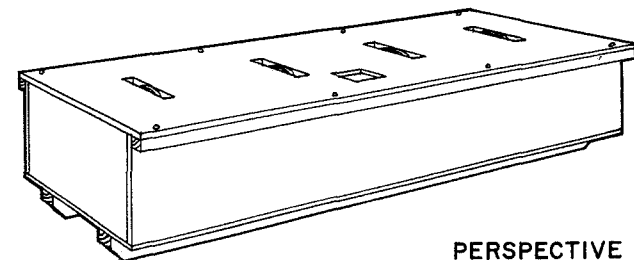
END VIEW  
SCALE: 1/2"=1'-0"



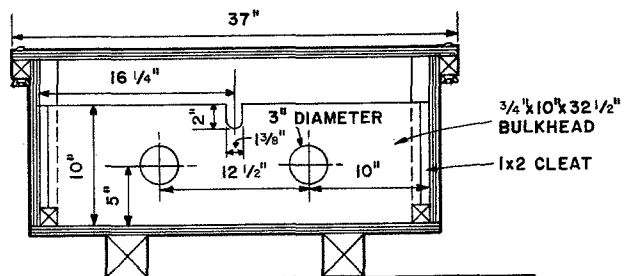
PLAN VIEW WITH TOP REMOVED  
SCALE: 1"=1'-0"



SECTION AT WHEEL  
SCALE: 1/2"=1'-0"



PERSPECTIVE



SECTION AT BULKHEAD  
SCALE: 1/2"=1'-0"

THE PLYWOOD USE RECOMMENDATIONS CONTAINED IN THIS PUBLICATION ARE BASED UPON THE ASSOCIATION'S CONTINUING PROGRAM OF LABORATORY TESTING, PRODUCT RESEARCH AND COMPREHENSIVE FIELD EXPERIENCE.

BEST PERFORMANCE DEPENDS UPON THE USE OF QUALITY PLYWOOD, IDENTIFIED BY AMERICAN PLYWOOD ASSOCIATION GRADE-TRADEMARKS, PROPERLY APPLIED IN ACCORDANCE WITH THESE RECOMMENDATIONS.

This design is based on the use of American Plywood Association Grade-Trademarked plywood. Structural deficiencies may result with the substitution of materials. Because erection of the structure cannot be supervised no liability can be assumed by the designer or the American Plywood Association. Mention of a trade name does not constitute a guarantee or warranty of the product by the U.S. Department of Agriculture or an endorsement by the Department over other products not mentioned.

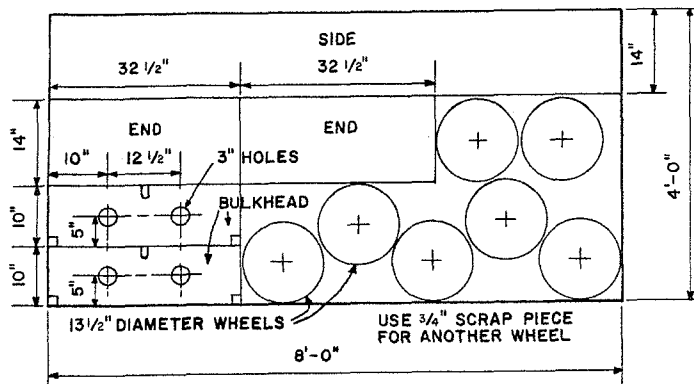
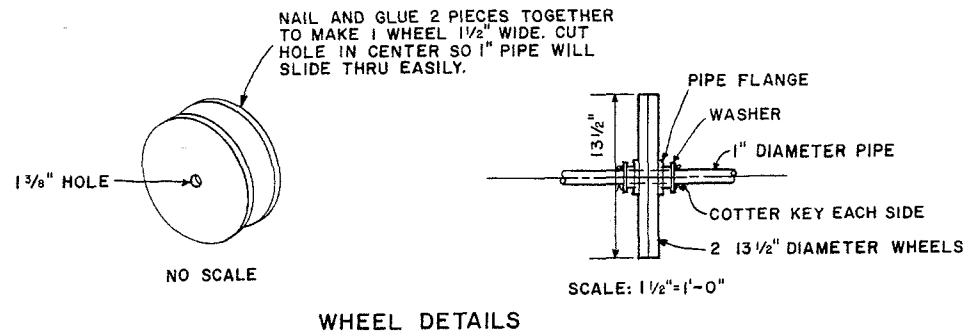
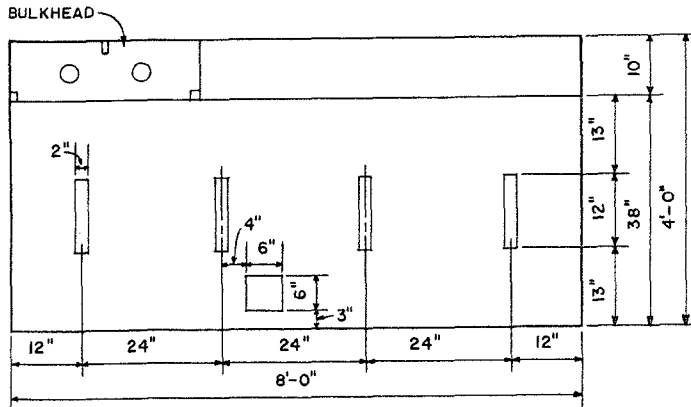
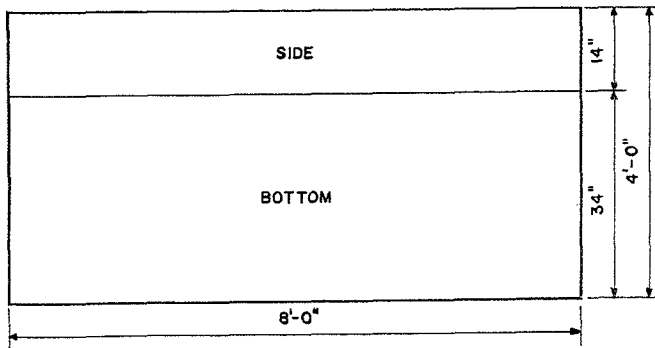


CATTLE FEEDER  
LIQUID SUPPLEMENT

A.P.A. '71 6124 SHEET 1 OF 2

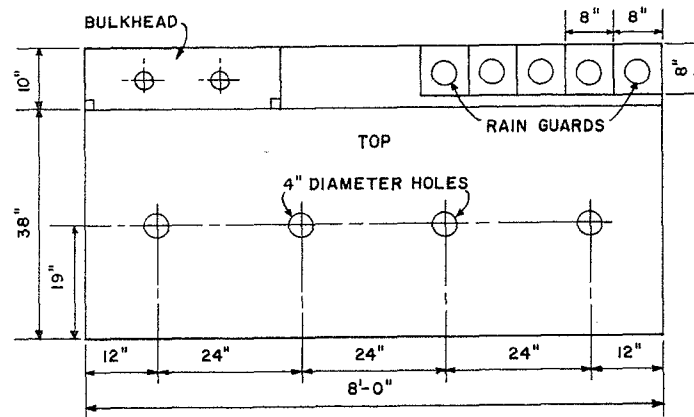
### MATERIALS LIST

LUMBER	ITEM & USE	PIECES	SIZE	LENGTH	FBM
SKIDS-PRESERVATIVE TREATED FRAMING		2	4x4	8'-0"	21 1/3
		4	2x2	1'-0 1/2"	1 1/3
		4	2x2	2'-5 1/2"	3 2/3
		2	2x2	7'-10 1/2"	10 2/3
		2	2x2	8'-0"	
CLEATS		12	1x2	11"	2
PLYWOOD	ALL EXTERIOR - TYPE (EXTERIOR-DFPA)	3 PIECES	3/4"	4'x8'	96 SQ. FT.
HARDWARE AND MISCELLANEOUS		PIECES	DESCRIPTION		
PIPE		1	1" DIAMETER x 7'-10 3/8"		
BOLTS		8	3/8" x 3" CARRIAGE		
NAILS		10 LBS.	8 d COMMON, GALVANIZED		
GLUE		1 PINT	RECORSINOL RESIN		
HANGERS		2	1"		
WASHERS & COTTER KEYS		8			
PIPE FLANGES		8			




CUTTING DIAGRAMS

SCALE: 3/4" = 1'-0"



ALTERNATE TOP

3/4" EXTERIOR AC OR BC DFPA PLYWOOD



**LSU**  
AgCenter  
Research & Extension

<b>CATTLE FEEDER</b>			
<b>LIQUID SUPPLEMENT</b>			
A.P.A.	'71	<b>6124</b>	SHEET 2 OF 2

## Disclaimer

This site makes available conceptual plans that can be helpful in developing building layouts and selecting equipment for various agricultural applications. These plans do not necessarily represent the most current technology or construction codes. They are not construction plans and do not replace the need for competent design assistance in developing safe, legal and well-functioning agricultural building system. The LSU Agriculture Center, the Mid-West Plan Service, the United States Department of Agriculture and none of the cooperating land-grant universities warranty these plans.