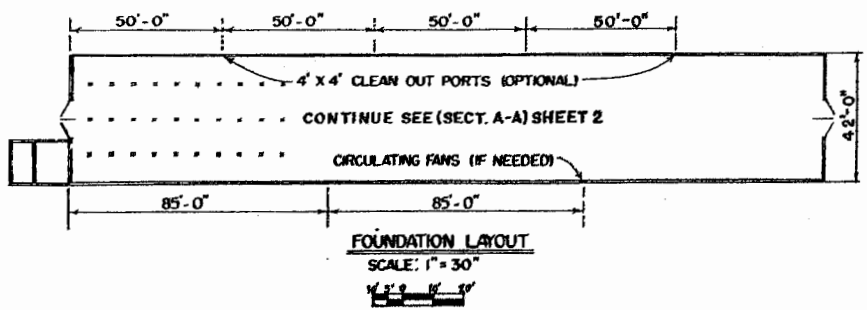
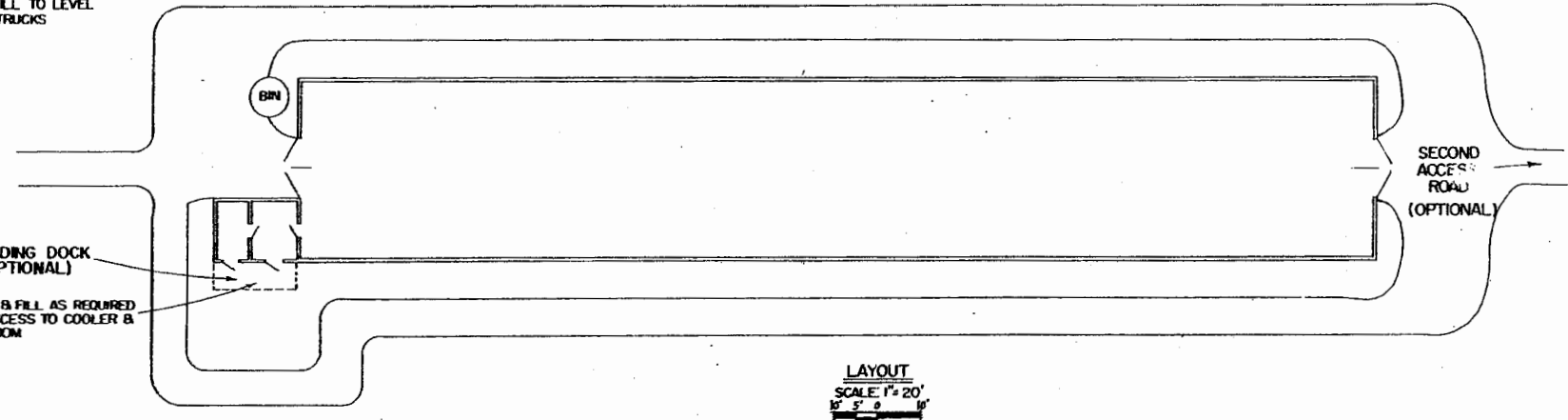
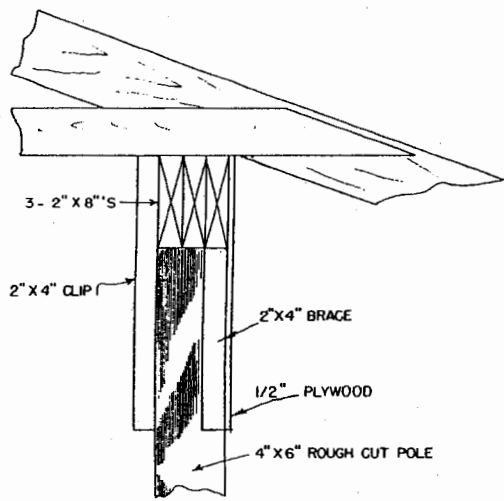


CONSTRUCT LOADING DOCK (IF DESIRED) & FILL TO LEVEL REQUIRED FOR TRUCKS

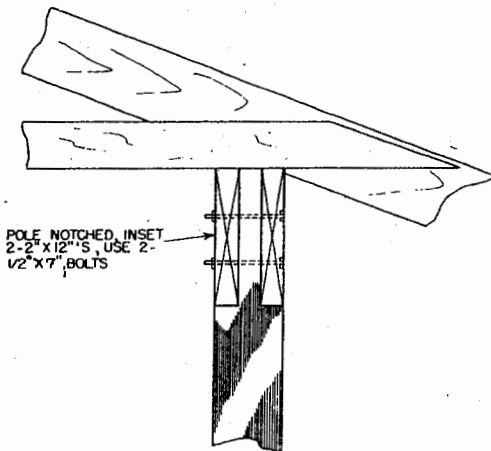


CONSULT LOCAL HEALTH AND BUILDING CODE AUTHORITIES BEFORE STARTING CONSTRUCTION.
BASED ON: VPI & SU PLAN NO. F-250

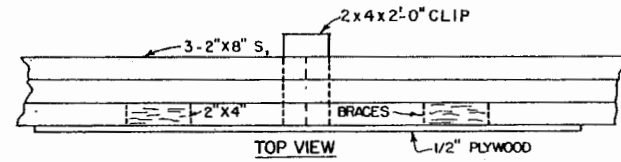
LSU AgCenter <small>RESEARCH & EXTENSION</small>			
BROILER BREEDER HOUSE DEEP PIT			
VA.	'75	6235	SHEET 1 OF 3



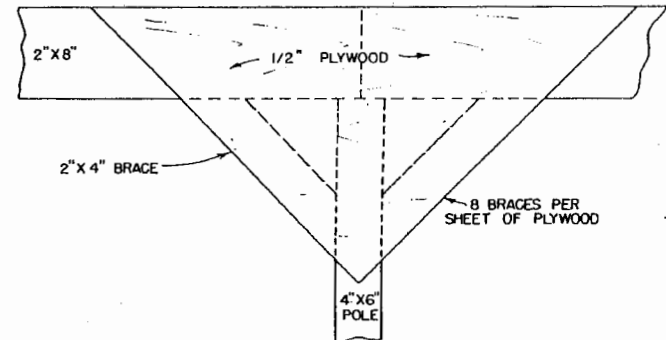
QUARTER POLE TOP



ALTERNATE QUARTER POLE TOP



TOP VIEW

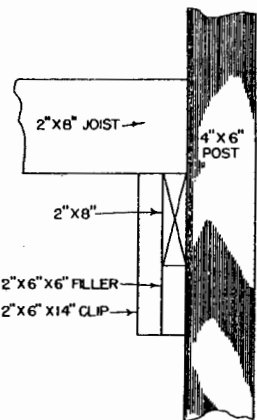


SIDE VIEW

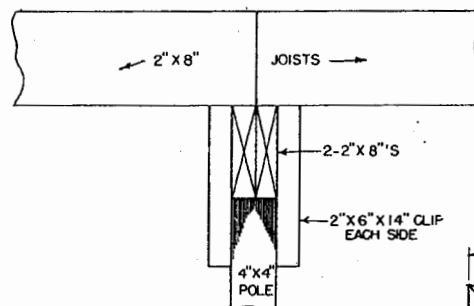
PLYWOOD BRACE SYSTEM



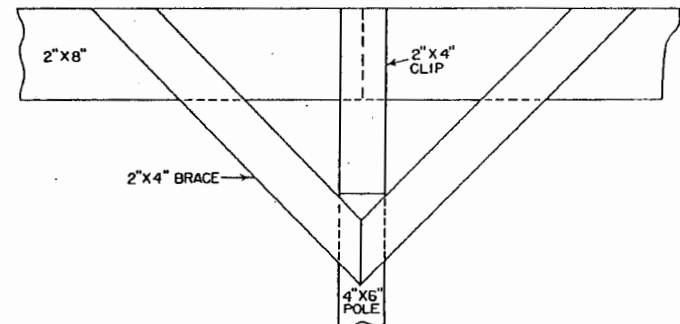
ALL SCALES THIS SHEET, 1 1/2" = 1'-0" UNLESS OTHERWISE NOTED.



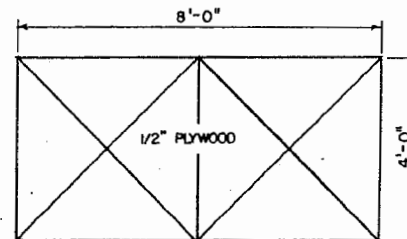
QUARTER SUPPORT



CENTER SUPPORT



ALTERNATE BRACE SYSTEM



CUTTING DIAGRAM FOR BRACES

SCALE: 1/2" = 1'-0"



BROILER BREEDER HOUSE
DEEP PIT

VA. '75 6235 SHEET 3 OF 3

Disclaimer

This site makes available conceptual plans that can be helpful in developing building layouts and selecting equipment for various agricultural applications. These plans do not necessarily represent the most current technology or construction codes. They are not construction plans and do not replace the need for competent design assistance in developing safe, legal and well-functioning agricultural building system. The LSU Agriculture Center, the Mid-West Plan Service, the United States Department of Agriculture and none of the cooperating land-grant universities warranty these plans.