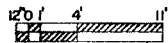
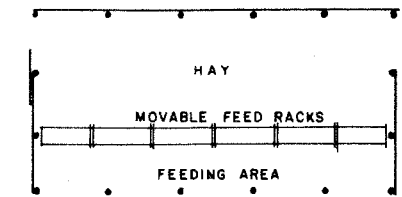


**SHEEP BARN**

(SEE PLAN NO. 5733 FOR INTERIOR DETAIL)

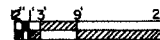


SCALE 1/8" = 1'-0"

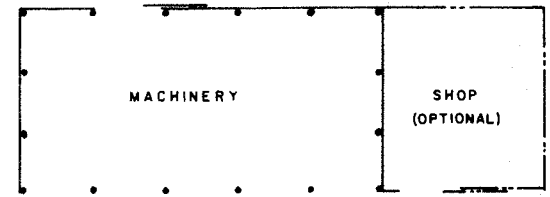


**CATTLE & HAY BARN**

CAPACITY 24 TO 32 HEAD  
(SEE PLAN NO. 5794 FOR INTERIOR DETAIL)



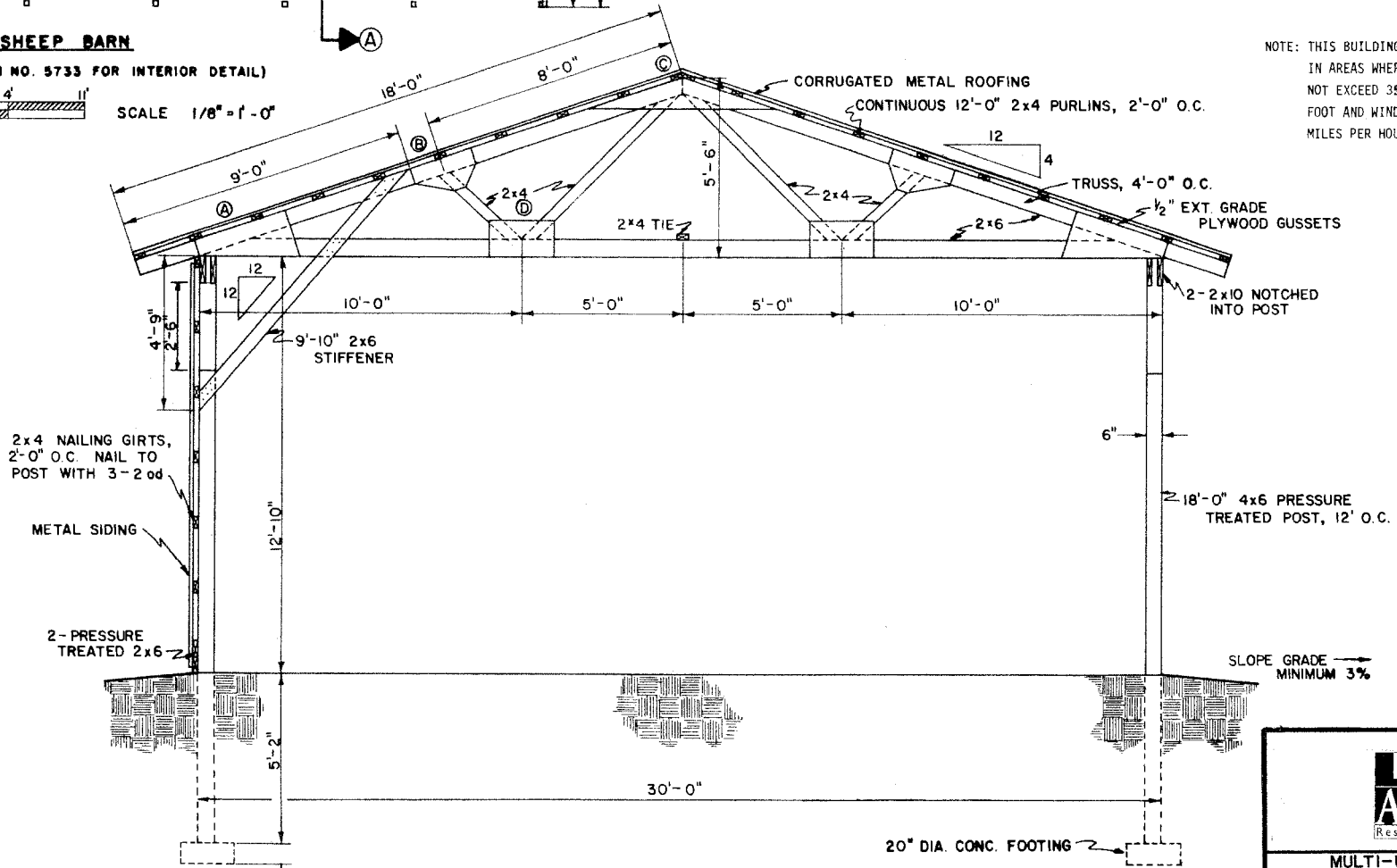
SCALE 1/16" = 1'-0"



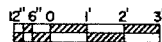
**MACHINERY STORAGE**

(SEE PLAN NO. 5734 FOR INTERIOR DETAIL)

NOTE: THIS BUILDING IS DESIGNED FOR USE IN AREAS WHERE THE SNOW LOAD DOES NOT EXCEED 35 POUNDS PER SQUARE FOOT AND WINDS ARE NOT ABOVE 80 MILES PER HOUR.



**SECTION A-A**

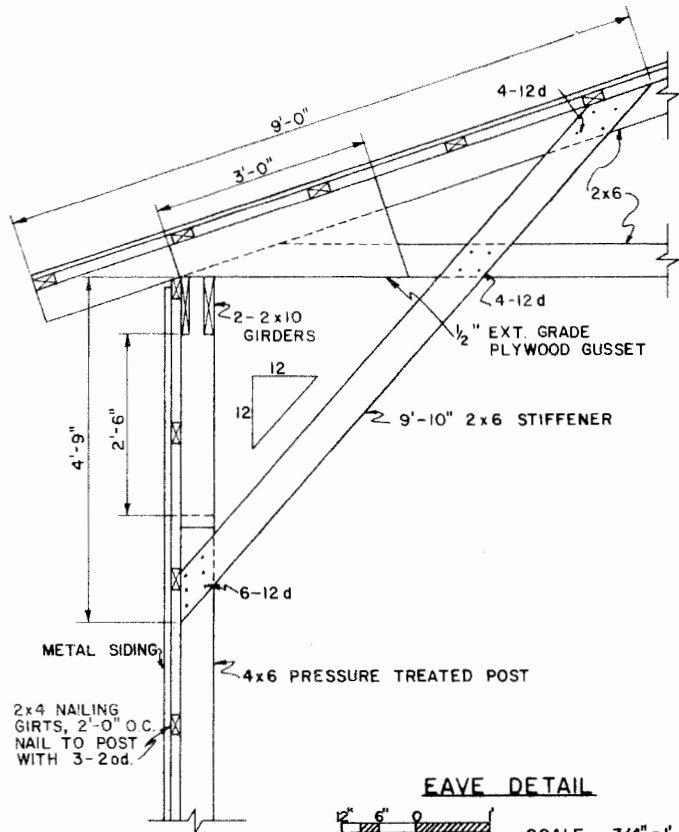


SCALE 3/8" = 1'-0"



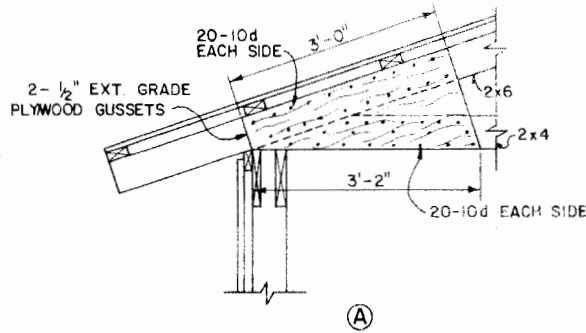
MULTI-USE POLE BARN FOR HEAVY SNOW AREAS

USDA '84 6362 SHEET 1 OF 3

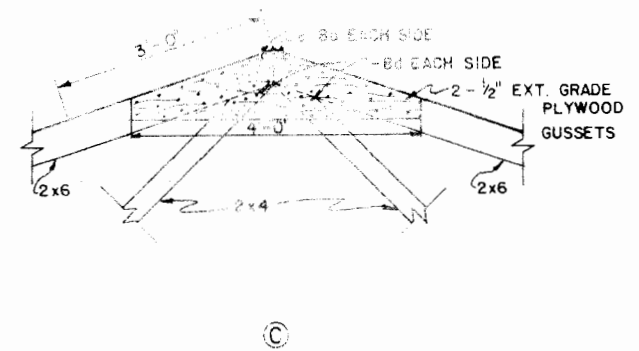


**EAVE DETAIL**

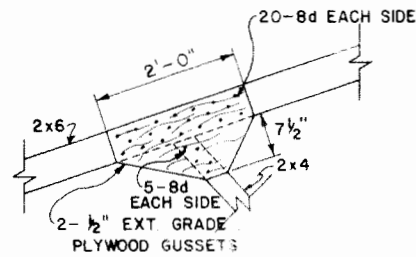
SCALE 3/4" = 1'-0"



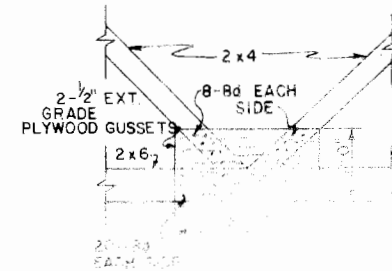
(A)



(C)

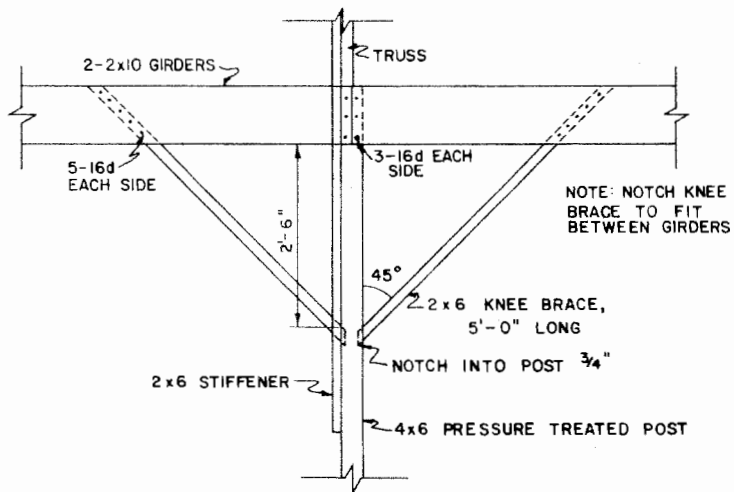


(B)



**GUSSET DETAILS**

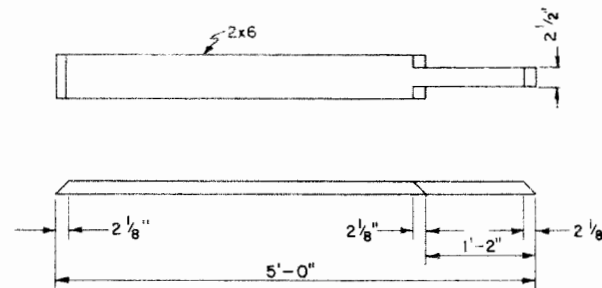
SCALE 3/4" = 1'-0"



**KNEE BRACE DETAIL**

SCALE 3/4" = 1'-0"

NOTE: NOTCH KNEE BRACE TO FIT BETWEEN GIRDERS.



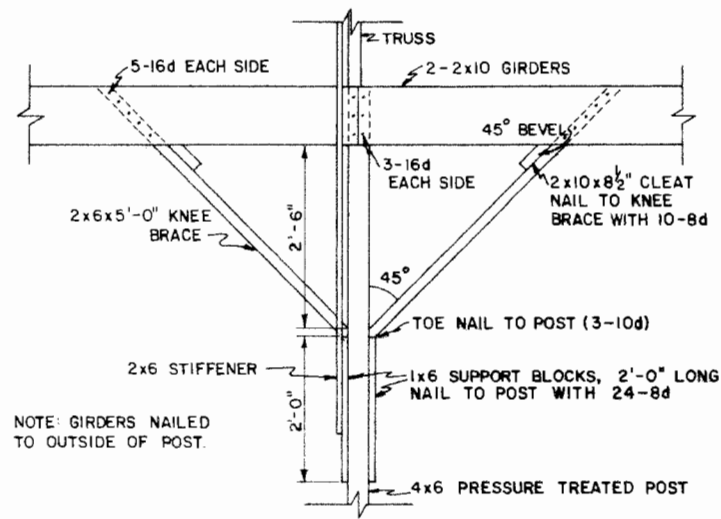
**KNEE BRACE CUTTING DIAGRAM**

SCALE 1" = 1'-0"

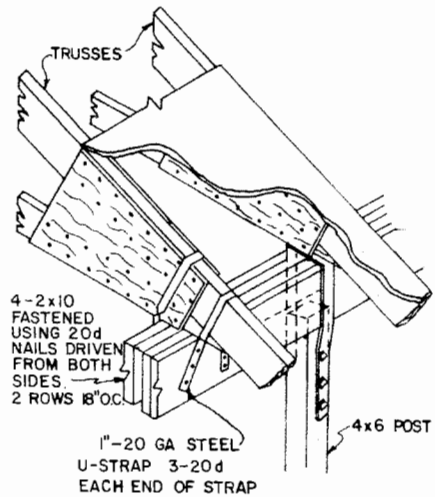


MULTI-USE POLE BARN FOR HEAVY SNOW AREAS

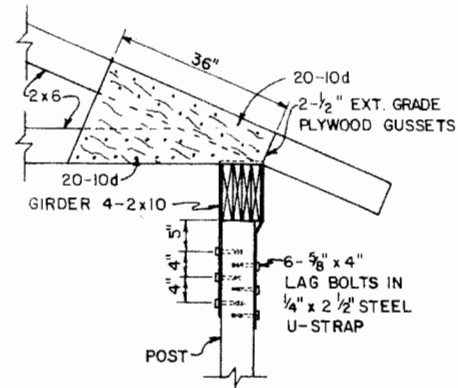
USDA '84 6362 SHEET 2 OF 3



KNEE BRACES



ISOMETRIC



EAVE DETAIL

**ALTERNATIVE  
DETAILS**

SCALE 3/4" = 1'-0"

CONSTRUCTION WITHOUT  
KNEE BRACES



MULTI-USE POLE BARN  
FOR HEAVY SNOW AREAS

USDA '84 6362 SHEET 3 OF 3

## Disclaimer

This site makes available conceptual plans that can be helpful in developing building layouts and selecting equipment for various agricultural applications. These plans do not necessarily represent the most current technology or construction codes. They are not construction plans and do not replace the need for competent design assistance in developing safe, legal and well-functioning agricultural building system. The LSU Agriculture Center, the Mid-West Plan Service, the United States Department of Agriculture and none of the cooperating land-grant universities warranty these plans.