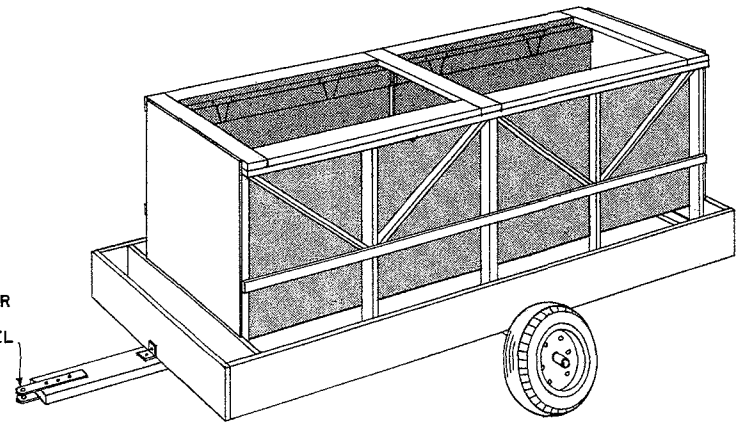


TOP VIEW OF BED FRAME

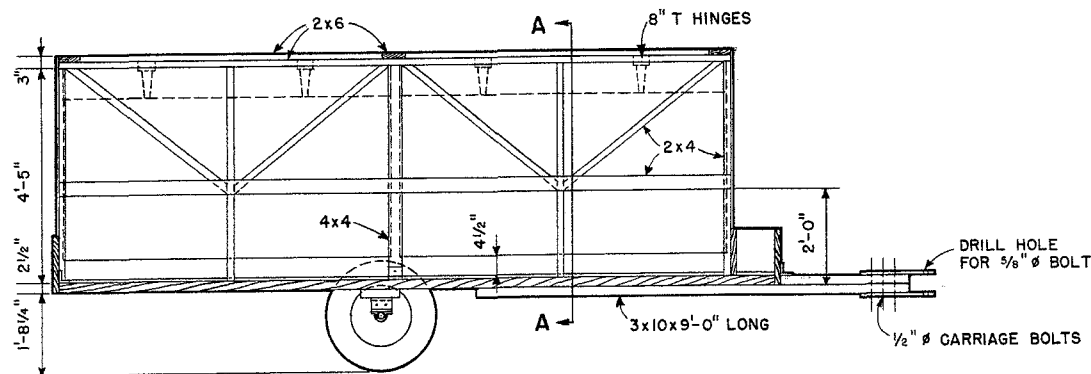
TOWING BAR
1/2" x 3" x 18"
FLAT STEEL

SCALE: 1/2" = 1'-0"

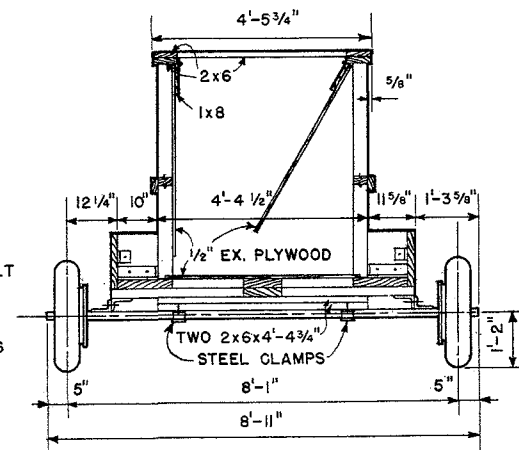


PERSPECTIVE

CONSTRUCTION DETAILS MAY BE MODIFIED TO USE LUMBER AT HAND. JOINTS SHOULD BE WELL NAILED. BOLT THE METAL ANGLE IRON. THIS CONSTRUCTION CAN BE ADAPTED FOR TRAILER MOUNTING, SKIDS, OR PERMANENT, IN-PLACE FEEDERS.



SIDE VIEW WITH THE 2x14 BOARD OFF



SECTION A-A



SELF-FEEDER FOR CATTLE

ORE. '68 EX. 6045 SHEET 1 OF 1

Disclaimer

This site makes available conceptual plans that can be helpful in developing building layouts and selecting equipment for various agricultural applications. These plans do not necessarily represent the most current technology or construction codes. They are not construction plans and do not replace the need for competent design assistance in developing safe, legal and well-functioning agricultural building system. The LSU Agriculture Center, the Mid-West Plan Service, the United States Department of Agriculture and none of the cooperating land-grant universities warranty these plans.