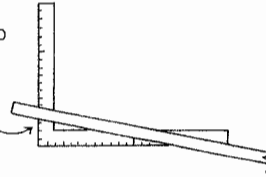


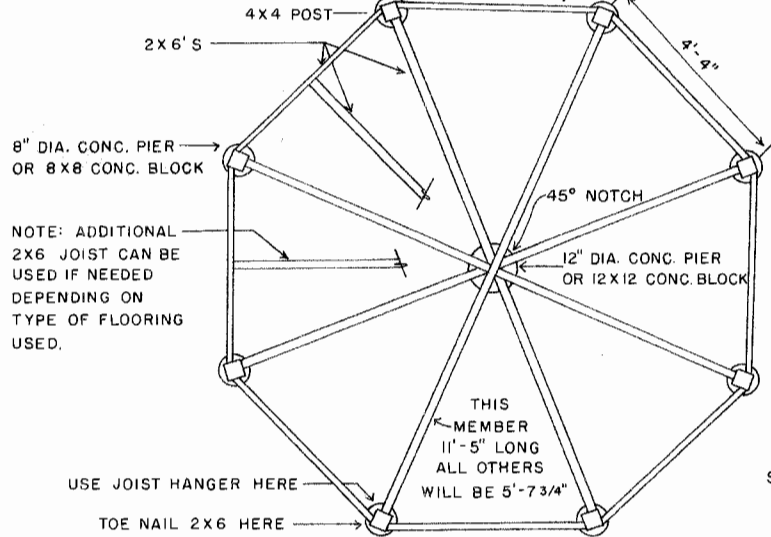
HOW TO CUT OUTER FLOOR JOIST:

USING A FRAMING SQUARE, SET BOARD ON 3" MARK AND 17 1/2" MARK

CUT HERE



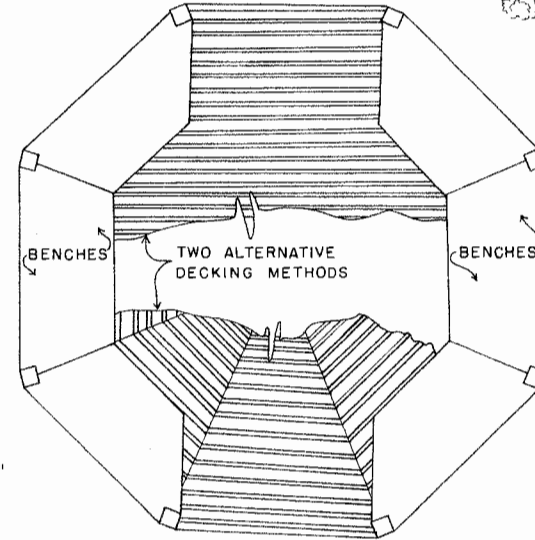
12'-0" DIA. OCTAGON



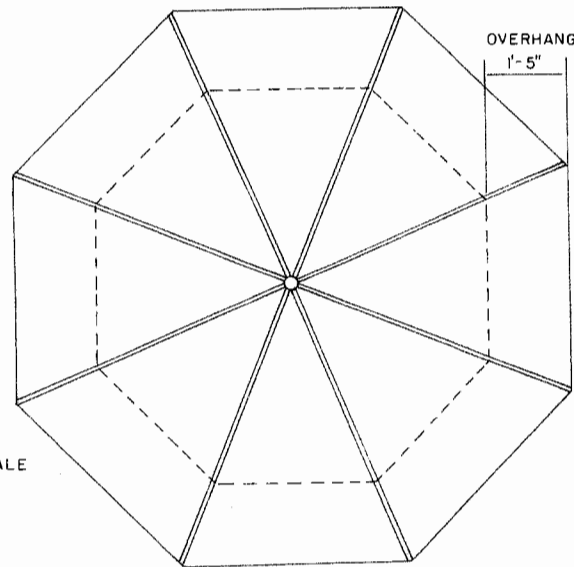
NOTE: ADDITIONAL 2x6 JOIST CAN BE USED IF NEEDED DEPENDING ON TYPE OF FLOORING USED.

FLOOR JOISTS

SCALE: 1/2" = 1'-0"

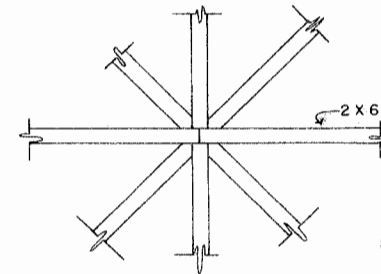


FLOOR PLAN



NOT TO SCALE

ROOF PLAN



SCALE: 1" = 1'-0"

RAFTER JOINING
DETAIL

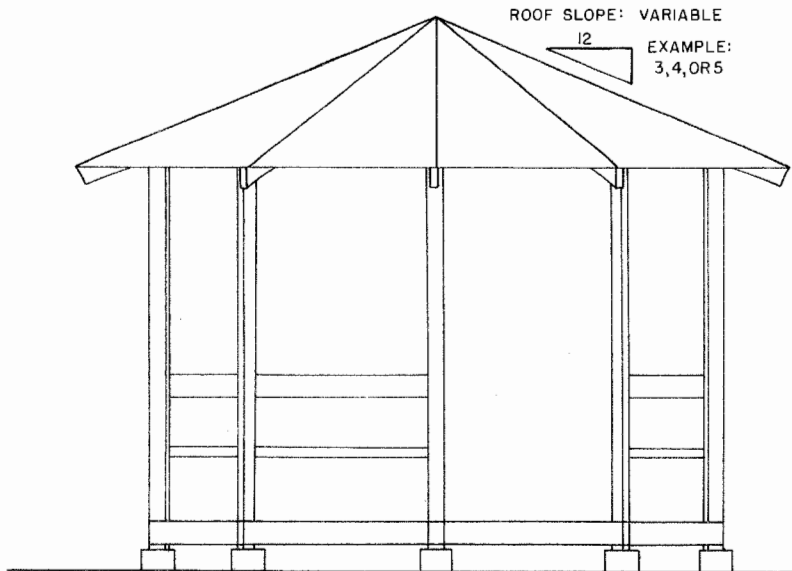


OCTAGONAL GAZEBO

ENGINEER COVINGTON & DOUGHTY	SCALE AS NOTED
DRAWN BY K.E.M.	SHEET 1 OF 2
TRACED BY E.L.N.	DATE 3-10-85 NO. 26-4

NOTE:

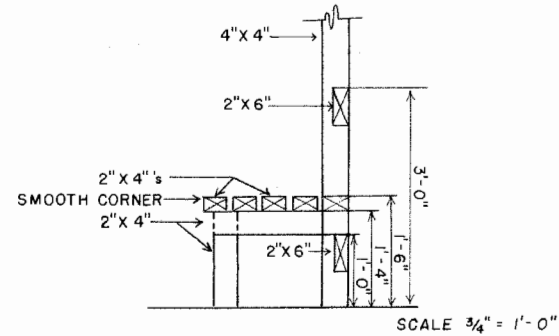
IF STEPS ARE NEEDED, USE EITHER STONE OR BRICK SEPERATED FROM FLOOR. AVOID WOODEN STEPS ATTACHED TO FLOOR TO MINIMIZE TERMITE INFESTATION.



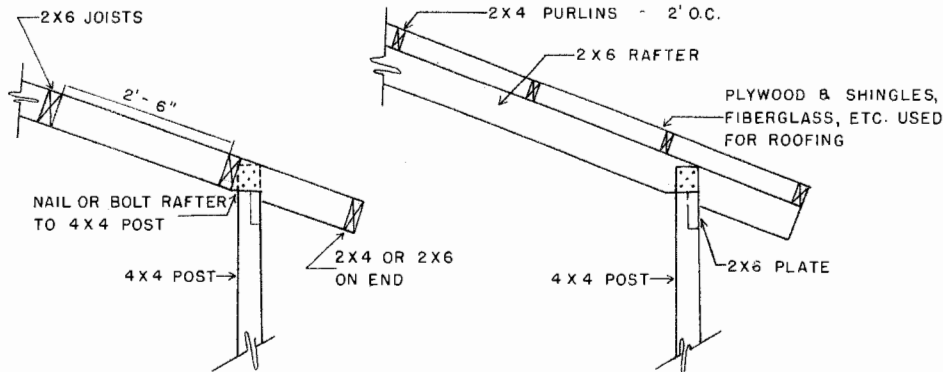
ELEVATION

BILL OF MATERIALS

- 8 - 8" DIA. X 18" DEPTH CONCRETE PIERS
- 1 - 12" DIA. X 18" DEPTH CONCRETE PIERS
(TOTAL - 1/2 CU. YD. OR 10 - 60 LB. SACKS PRE MIX)
- 8 - 4"x4" POST ANCHORS
- 8 - 4"x4"x8' POSTS
- 4 - 2"x6"x12' FOR FLOOR JOISTS
- 4 - 2"x6"x10' FOR FLOOR JOISTS
- 8 SHEETS - 3/8" X4'X8' PLYWOOD SHEATHING } FLOOR OPTIONS
- 300 LINEAR FEET 2"x4" DECKING } FLOOR OPTIONS
- 6 - 2"x6"x10' FOR BENCH
- 14 - 2"x4"x12' FOR BENCH
- 4 - 2"x6"x10' FOR PLATES
- 8 - 2"x4"x8' FOR PURLINS
- 8 SHEETS - 3/8" X4'X8' PLYWOOD SHEATHING } ROOF OPTIONS
- 176 FT² ROOFING MATERIAL } ROOF OPTIONS
- 8 - 2"x6"x8' FOR RAFTERS



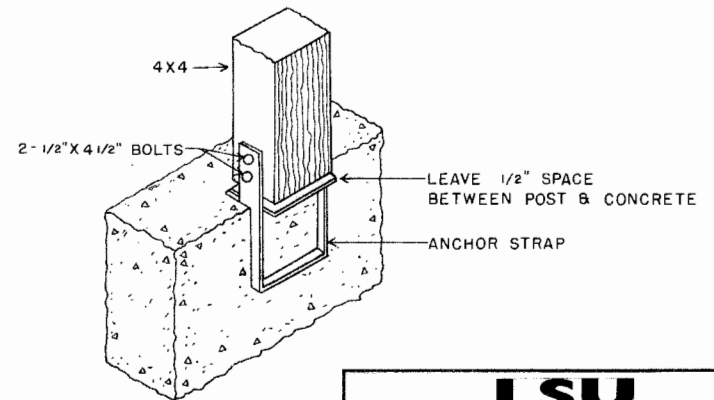
BENCH CROSS SECTION



WITHOUT PURLINS

WITH PURLINS

ALTERNATE ROOFING METHODS



POST ANCHOR



OCTAGONAL GAZEBO

ENGINEER COVINGTON/DOUGHTY	SCALE AS NOTED
DRAWN BY K.E.M.	SHEET 2 OF 2
TRACED BY E.L.N.	DATE 3-10-83 NO. 26-4

Disclaimer

This site makes available conceptual plans that can be helpful in developing building layouts and selecting equipment for various agricultural applications. These plans do not necessarily represent the most current technology or construction codes. They are not construction plans and do not replace the need for competent design assistance in developing safe, legal and well-functioning agricultural building system. The LSU Agriculture Center, the Mid-West Plan Service, the United States Department of Agriculture and none of the cooperating land-grant universities warranty these plans.