

NOTES:
 FOR DETAILS OF:
 CUTTING TOWER & CUTTING CHUTE, SEE SHEET 2.
 LOADING RAMP & SORTING TRAP, SEE SHEET 3.
 FENCING & GATES, SEE SHEET 4.
 GATE POSTS FOR ALL 10' & 12' GATES TO BE 5" ϕ STEEL PIPE.

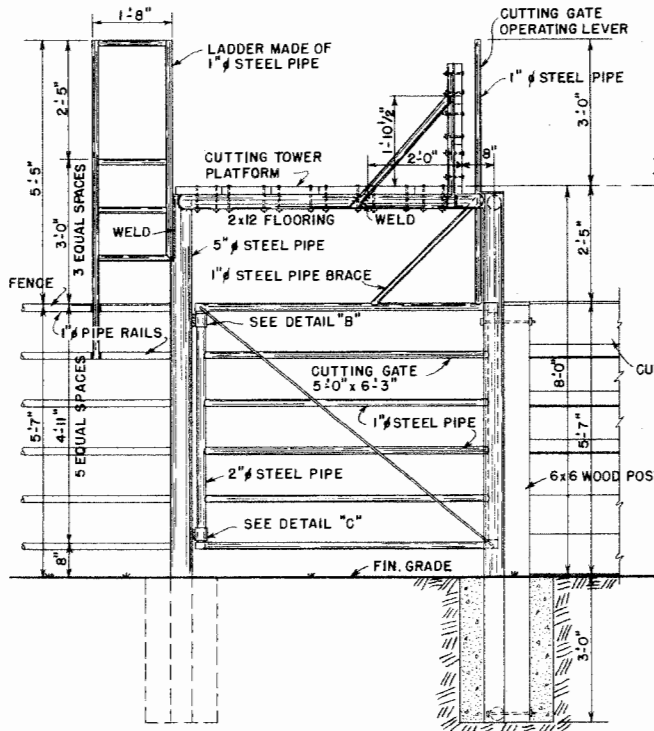
CORRAL LAYOUT FOR RANGE CATTLE

SCALE: 1" = 20'-0"

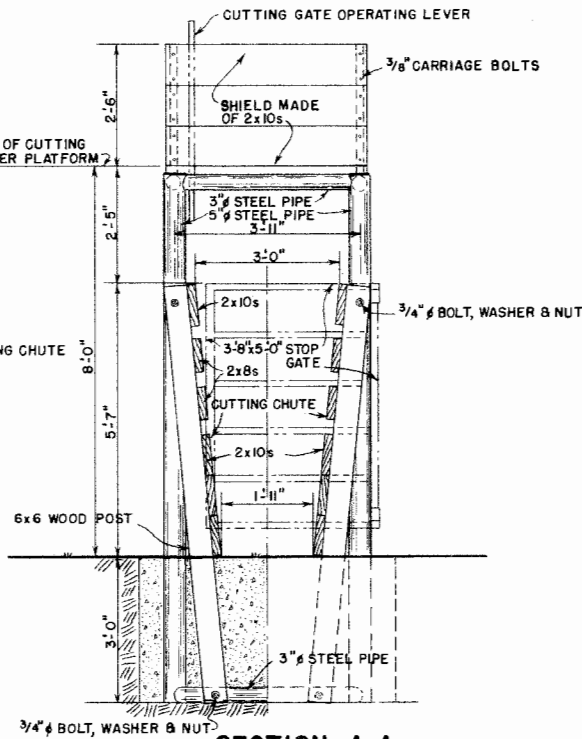


RANGE CORRAL

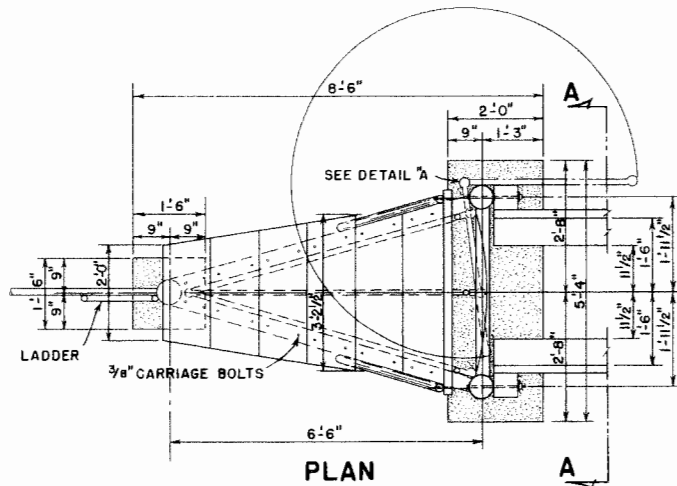
USDA '63 EX. 5952 SHEET 1 OF 4



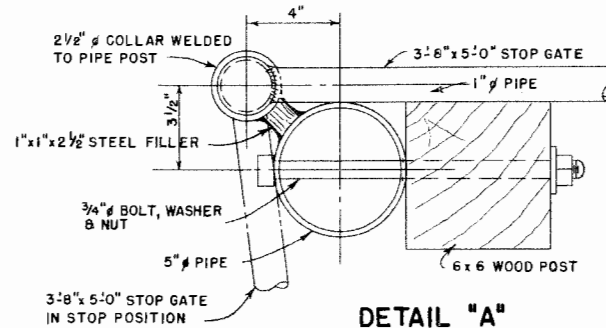
ELEVATION



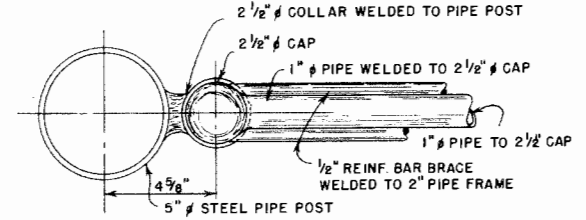
SECTION A-A



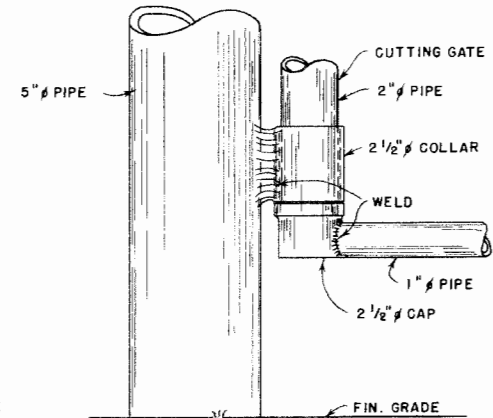
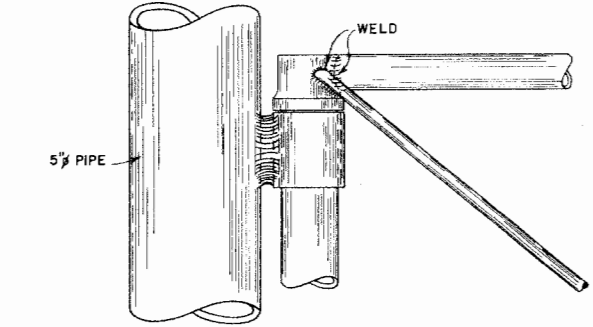
PLAN



DETAIL "A"
SCALE: 3"=1'-0"



DETAIL "B"
SCALE: 3"=1'-0"



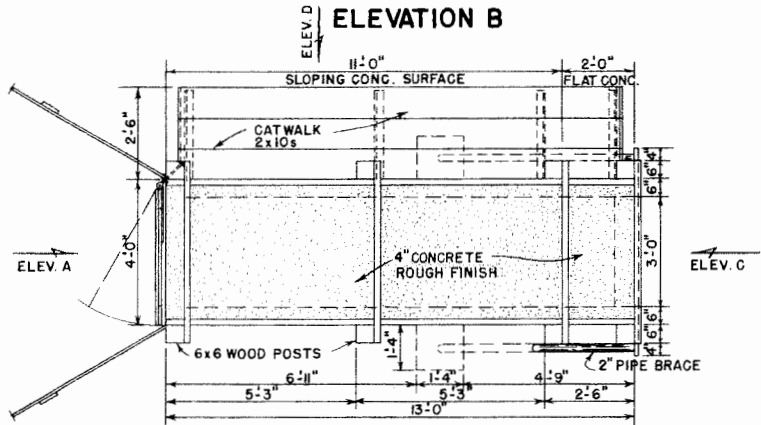
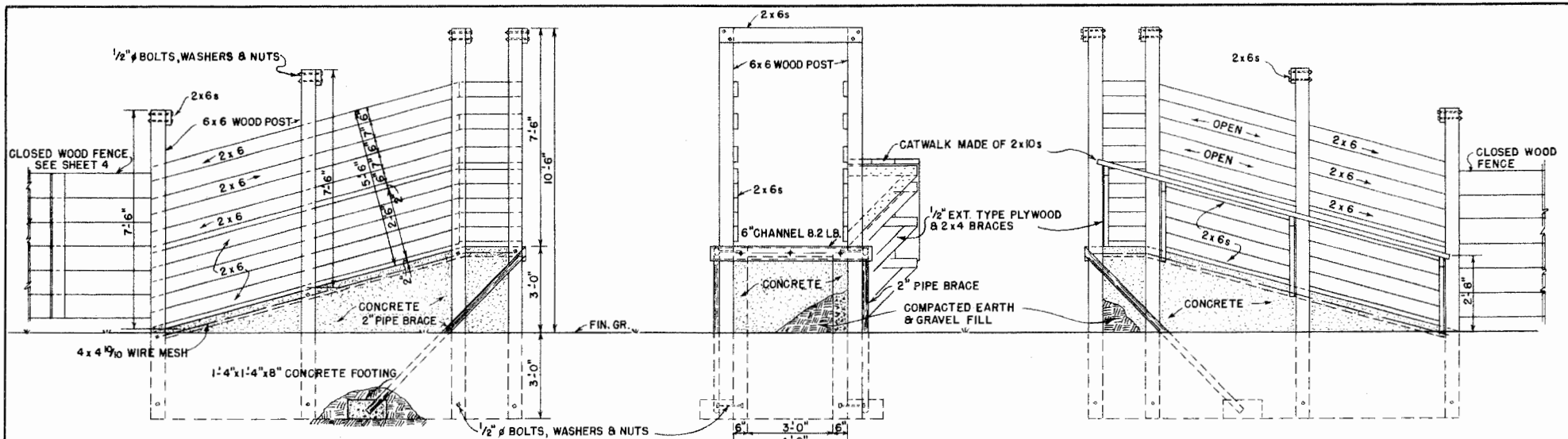
DETAIL "C"
SCALE: 3"=1'-0"

SCALE: 1/2"=1'-0" UNLESS OTHERWISE NOTED.

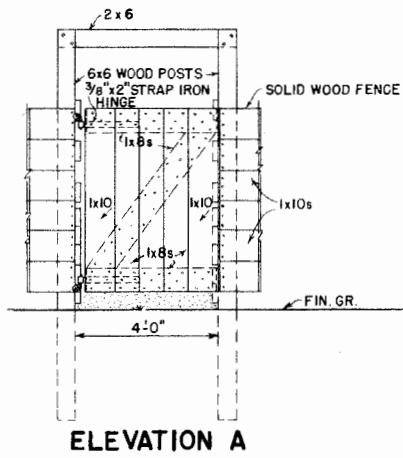
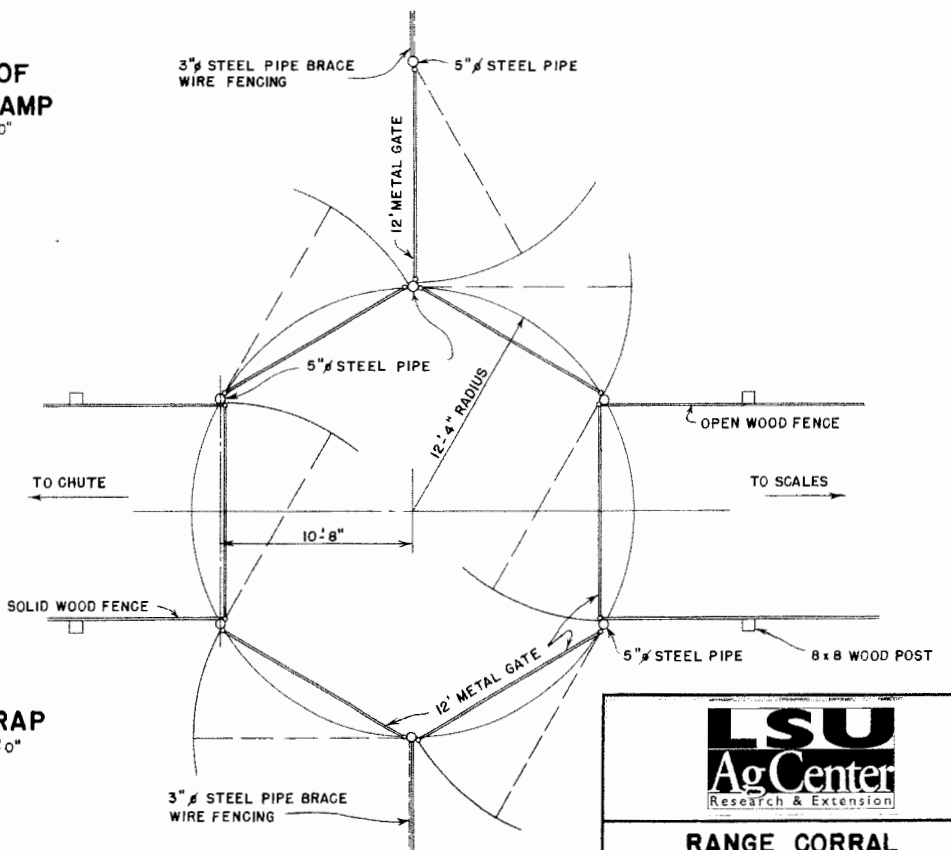
LSU
AgCenter
Research & Extension

RANGE CORRAL

USDA '63 EX. 5952 SHEET 2 OF 4



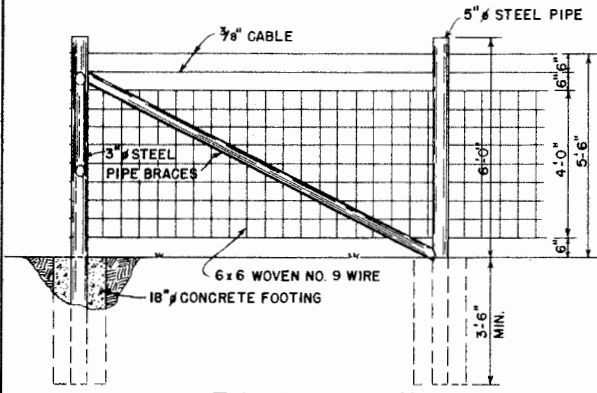
DETAILS OF LOADING RAMP
SCALE: $\frac{3}{8}'' = 1'-0''$



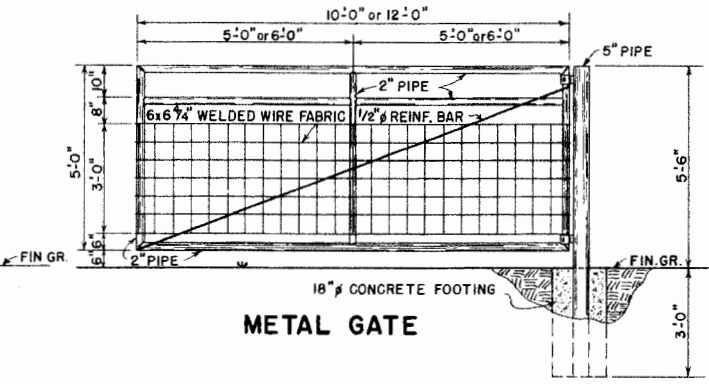
LSU AgCenter
Research & Extension

RANGE CORRAL

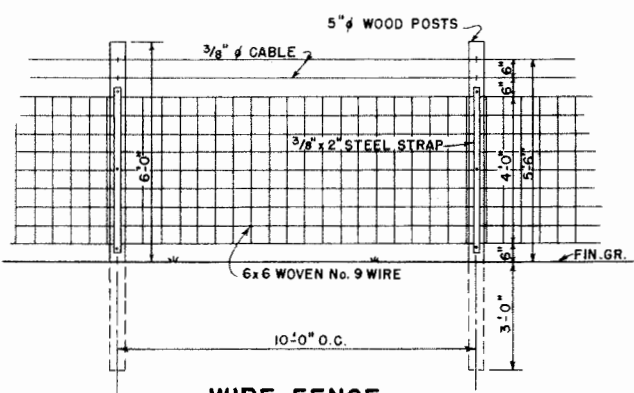
USDA '63 EX. 5952 SHEET 3 OF 4



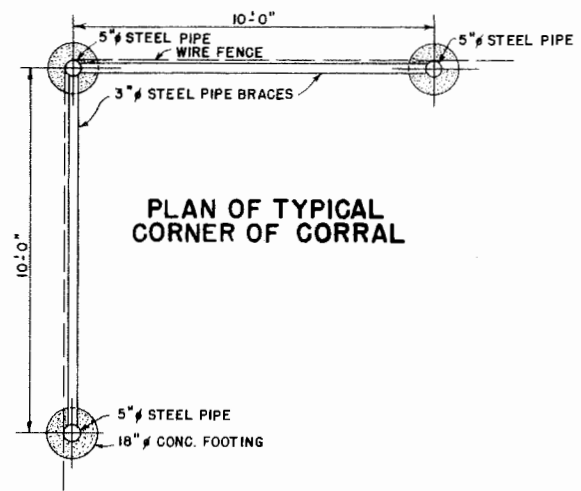
**ELEVATION OF FENCING
TYPICAL CORNER**



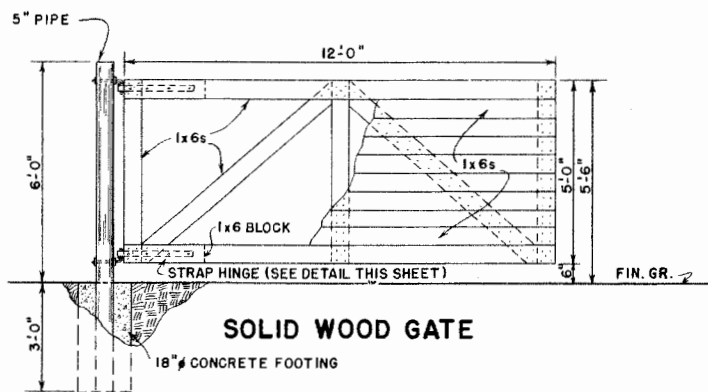
METAL GATE



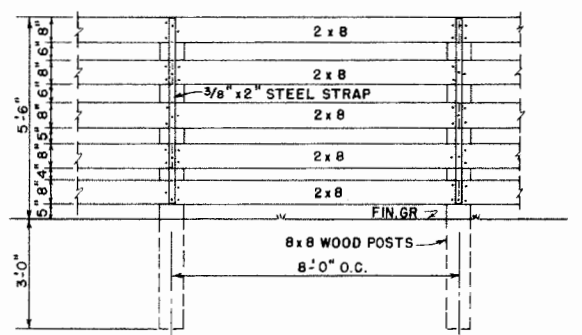
WIRE FENCE



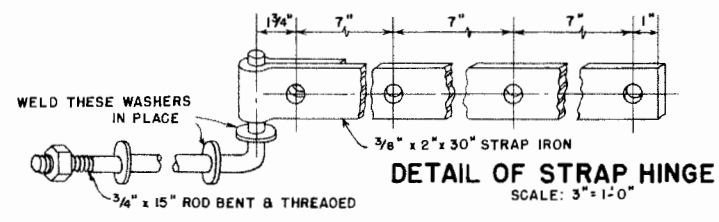
**PLAN OF TYPICAL
CORNER OF CORRAL**



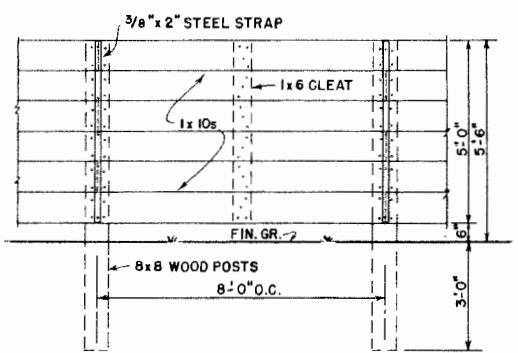
SOLID WOOD GATE



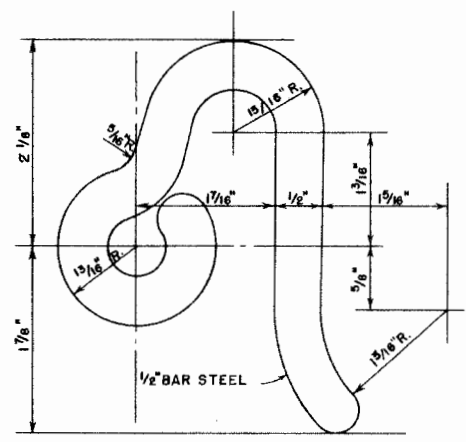
OPEN WOOD FENCE



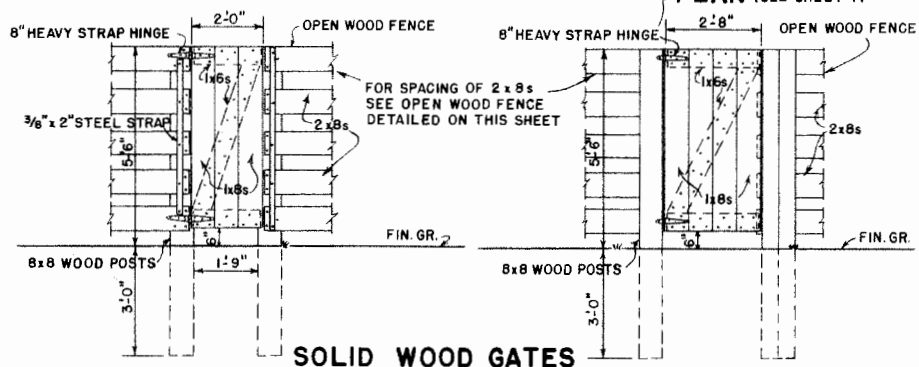
DETAIL OF STRAP HINGE



SOLID WOOD FENCE



**GATE HOOK
SCALE: FULL SIZE**



SOLID WOOD GATES

PLAN (SEE SHEET 1)

SCALE: 3/8" = 1'-0" UNLESS OTHERWISE NOTED.

**LSU
AgCenter**
Research & Extension

RANGE CORRAL

USDA '63 EX. 5952 SHEET 4 OF 4

Disclaimer

This site makes available conceptual plans that can be helpful in developing building layouts and selecting equipment for various agricultural applications. These plans do not necessarily represent the most current technology or construction codes. They are not construction plans and do not replace the need for competent design assistance in developing safe, legal and well-functioning agricultural building system. The LSU Agriculture Center, the Mid-West Plan Service, the United States Department of Agriculture and none of the cooperating land-grant universities warranty these plans.