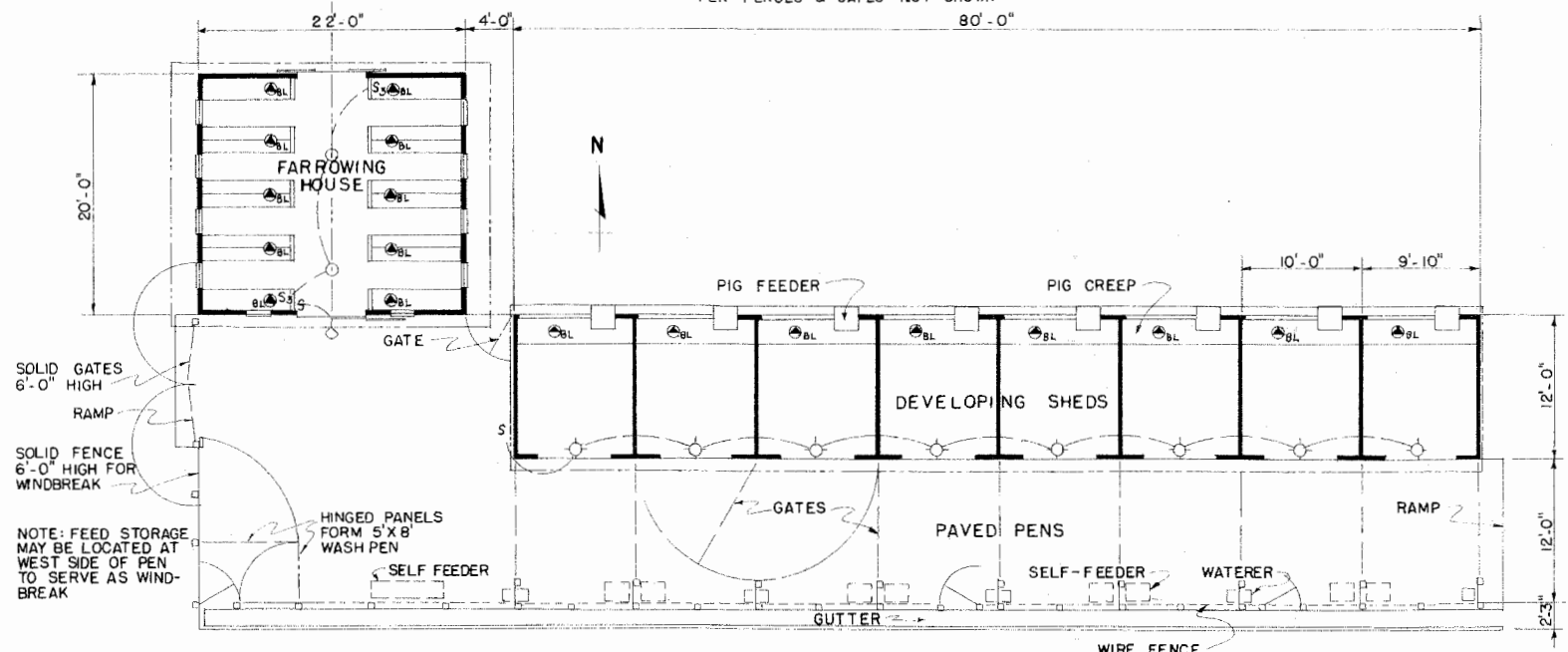


SOUTH ELEVATION
PEN FENCES & GATES NOT SHOWN

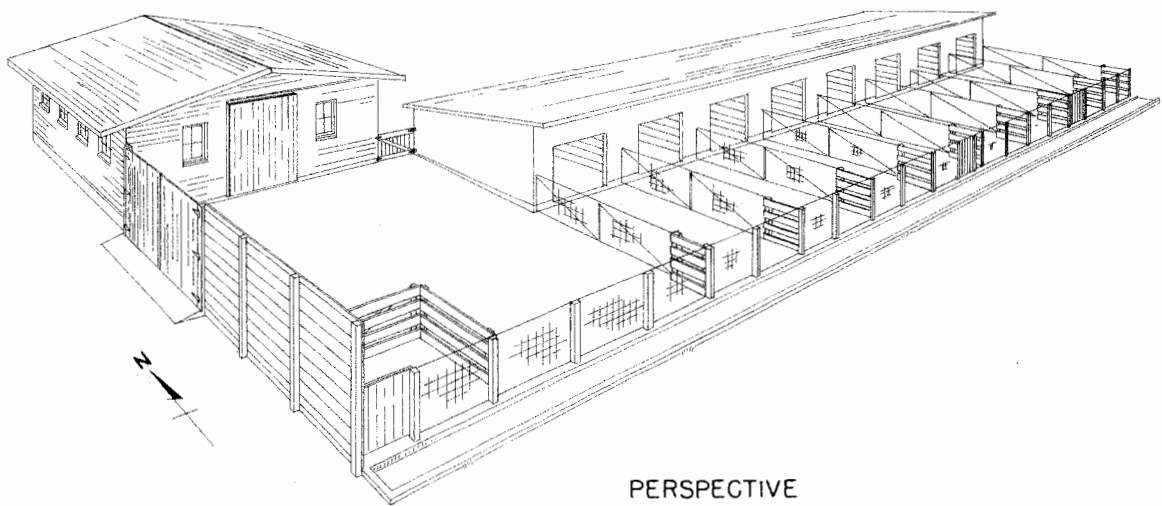


SOLID GATES
6'-0" HIGH
RAMP

SOLID FENCE
6'-0" HIGH FOR
WINDBREAK

NOTE: FEED STORAGE
MAY BE LOCATED AT
WEST SIDE OF PEN
TO SERVE AS WIND-
BREAK

ARRANGEMENT PLAN
SCALE 1/8" = 1'-0"



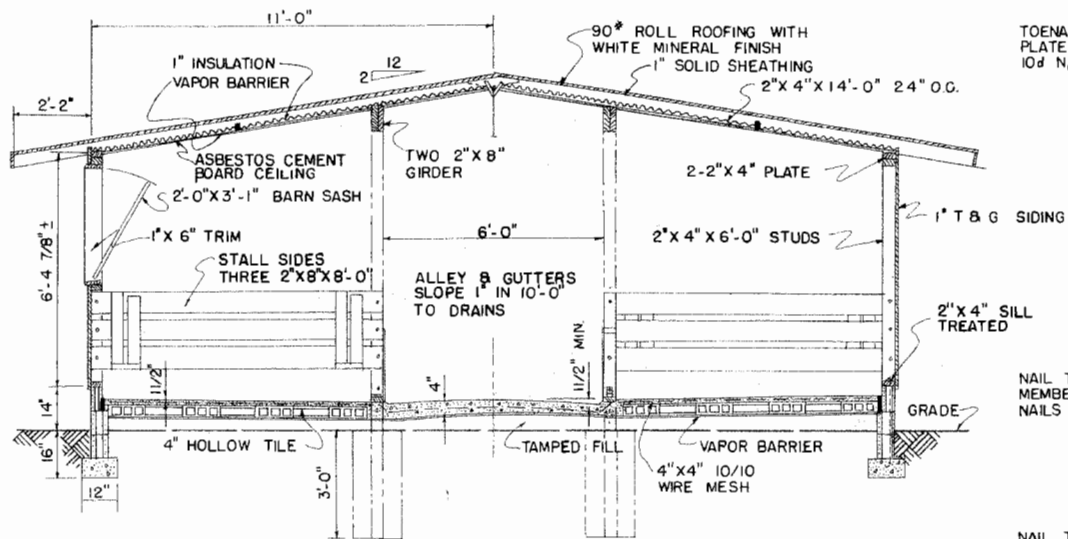
PERSPECTIVE

- WIRING LEGEND**
- LIGHT OUTLET
 - ⊙_{BL} BROODER LAMP OUTLET
 - ⊙_W WALL LIGHT OUTLET
 - _{FL} OUTDOOR FLOOD LIGHTS
 - S SWITCH
 - S₃ 3 WAY SWITCH

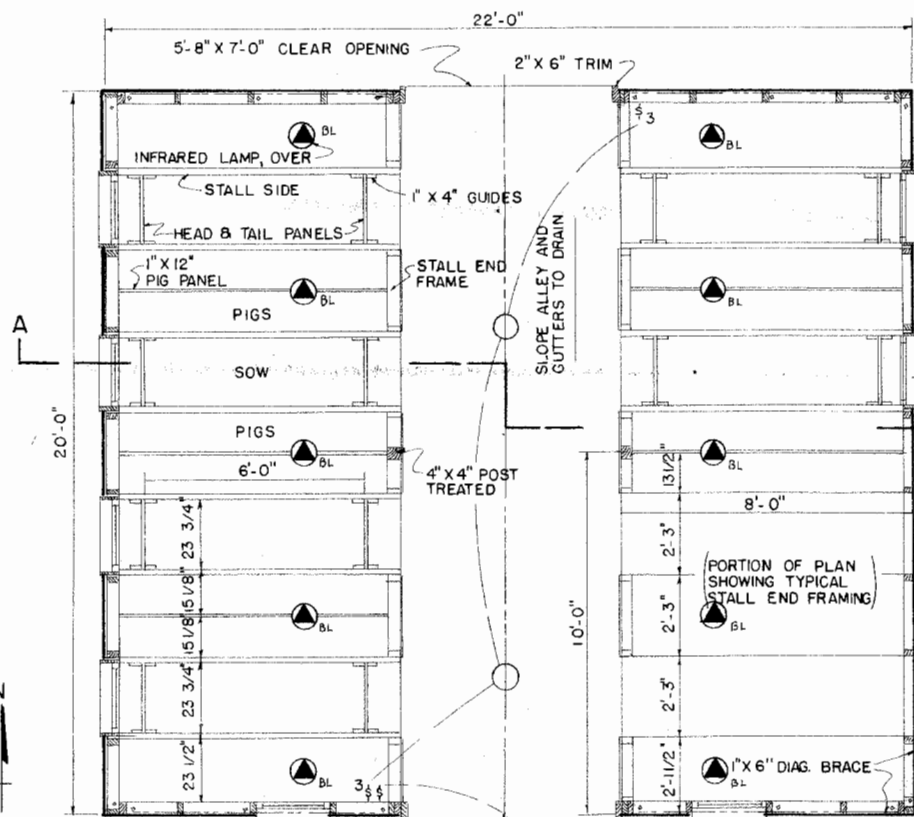


PIG PRODUCTION PLANT

ENGINEER	SCALE
DRAWN BY	SHEET 1 OF 3
TRACED BY	DATE
	NO. 5825

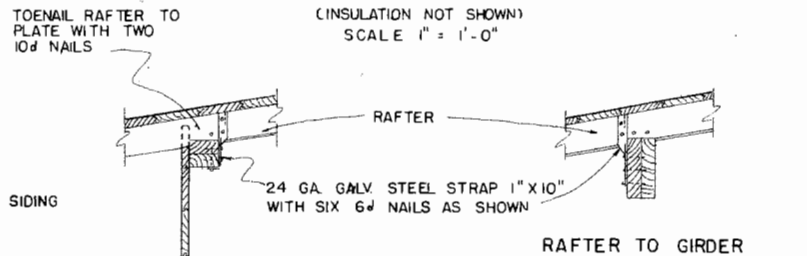


SECTION A-A



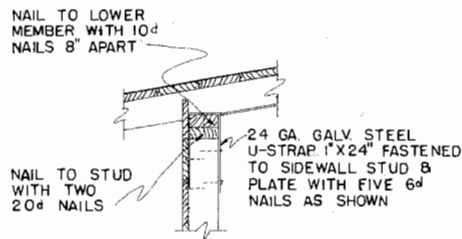
PLAN
SCALE: 3/8" = 1'-0"

DETAILS OF CONSTRUCTION

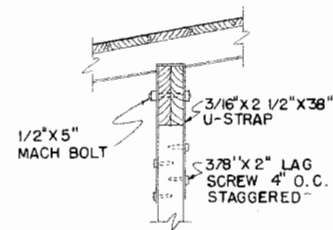


RAFTER TO GIRDER

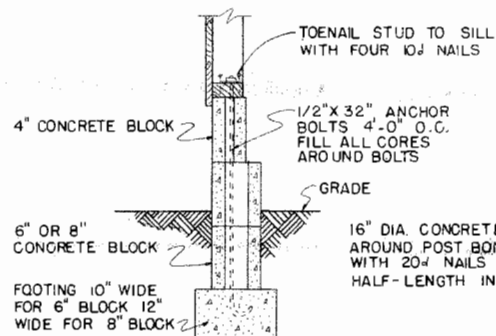
RAFTER TO PLATE



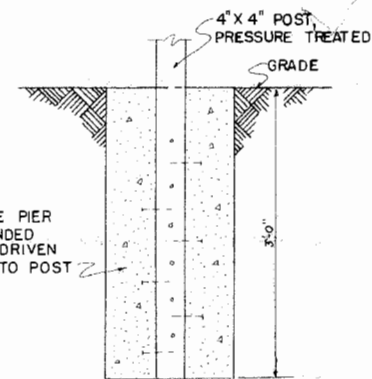
STUD TO PLATE



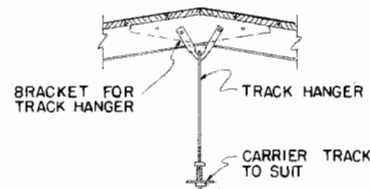
POST TO GIRDER



FOUNDATION DETAIL



CONCRETE PIER DETAIL

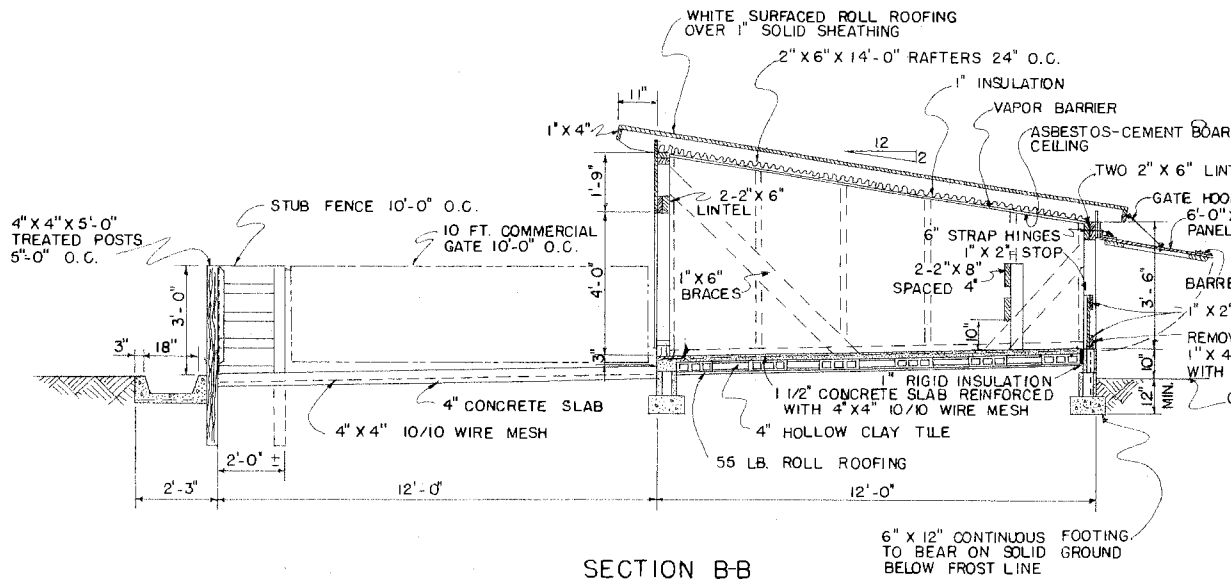


RIDGE DETAIL

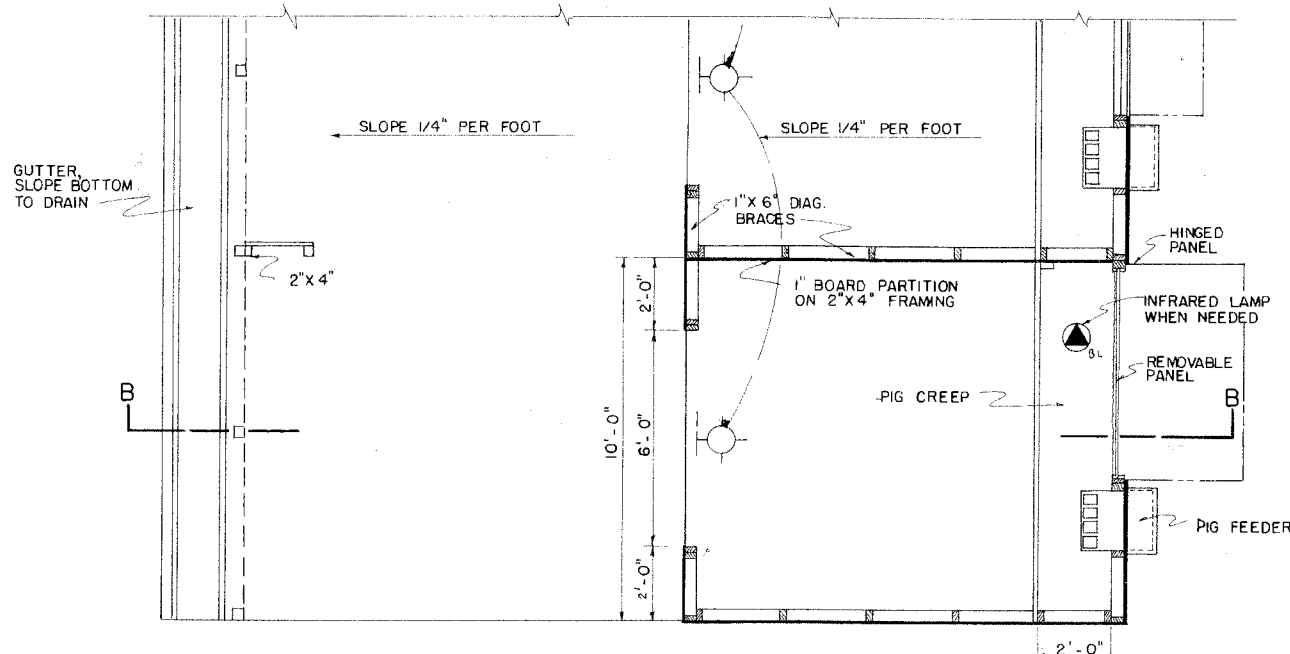
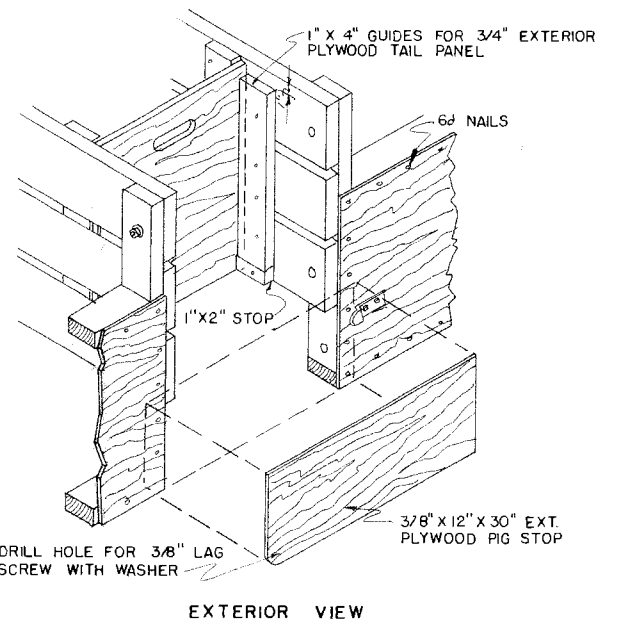
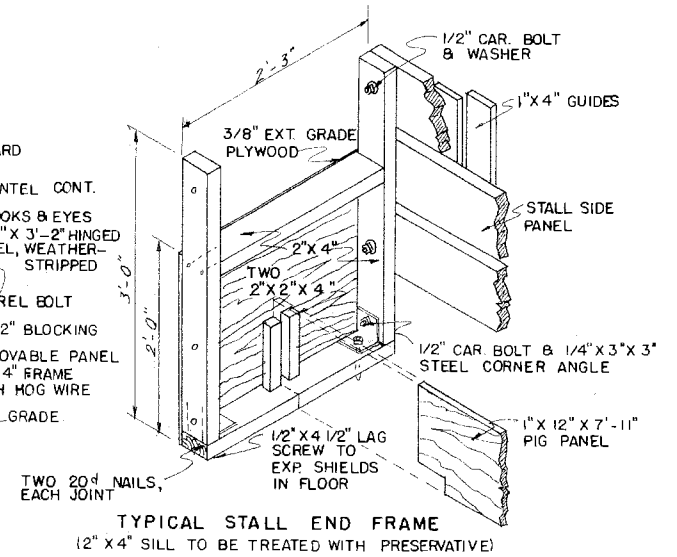


PIG PRODUCTION PLANT

ENGINEER	SCALE
DRAWN BY	SHEET 2 OF 3
TRACED BY	DATE
	NO. 5825



SECTION B-B



PLAN

PEN & DEVELOPING SHED
 SCALE 3/8" = 1'-0"

LSU AgCenter <small>Research & Extension</small>	
PIG PRODUCTION PLANT	
ENGINEER	SCALE
DRAWN BY	SHEET 3 OF 3
TRACED BY	DATE
	NO. 5825

Disclaimer

This site makes available conceptual plans that can be helpful in developing building layouts and selecting equipment for various agricultural applications. These plans do not necessarily represent the most current technology or construction codes. They are not construction plans and do not replace the need for competent design assistance in developing safe, legal and well-functioning agricultural building system. The LSU Agriculture Center, the Mid-West Plan Service, the United States Department of Agriculture and none of the cooperating land-grant universities warranty these plans.