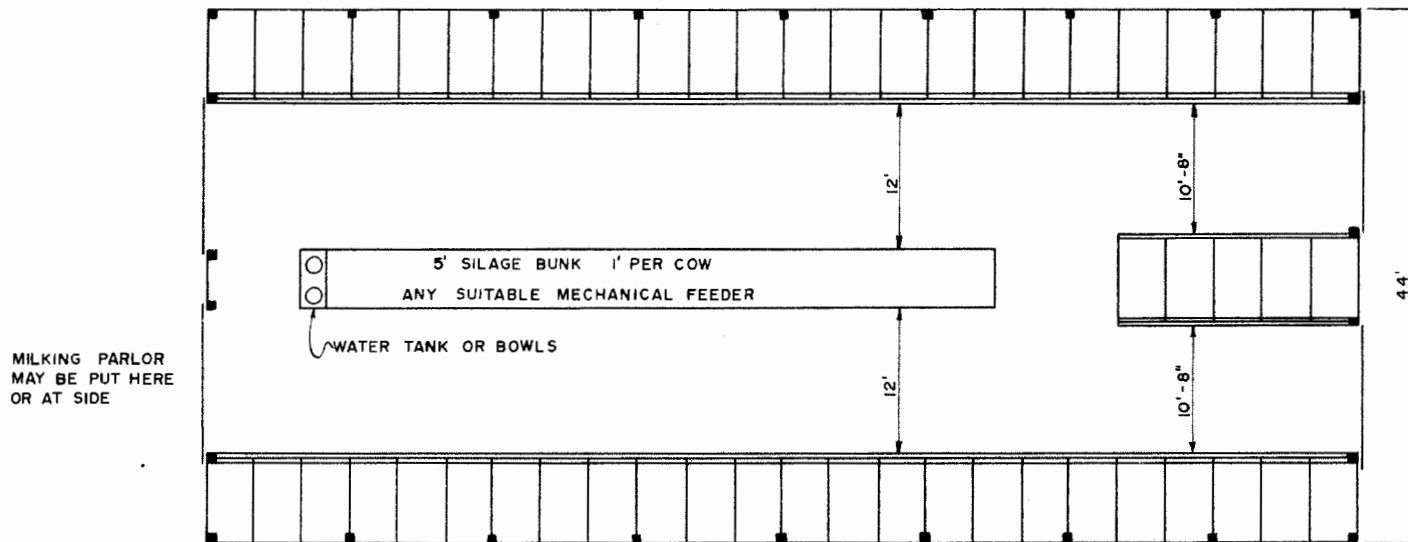


48' BARN FOR FOUR ROWS OF FREE STALLS  
CENTER FEEDER IF DESIRED

GENERAL NOTES

1. USE TRUSSES BY REPUTABLE MFR. DESIGNED FOR 30 LBS. PER SQ. FT. TOTAL LOAD.
2. CONSULT ON ALL DETAILS WITH DAIRY INSPECTION AUTHORITIES BEFORE CONSTRUCTION.



MILKING PARLOR  
MAY BE PUT HERE  
OR AT SIDE

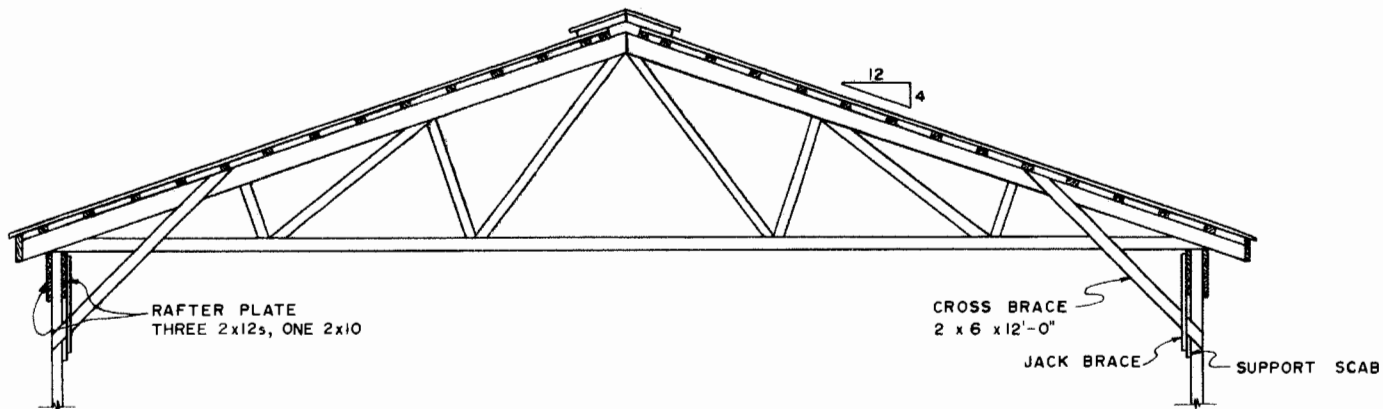
44' BARN FOR TWO ROWS FREE STALLS, CENTER FEEDER

MAY USE POLE BUILDING, LAMINATED RAFTERS  
OR PRE-FAB METAL BUILDING

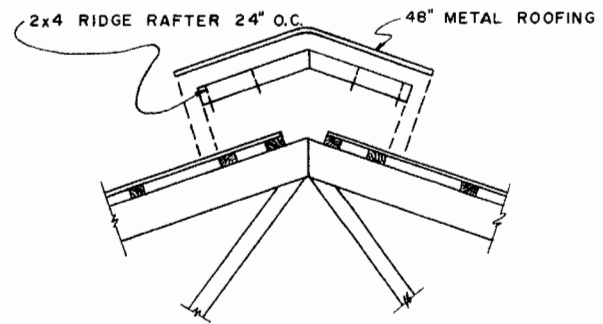
PENN. STATE UNIV. PLAN 723-340



FREE STALL BARN  
40 FEET AND 48 FEET WIDE  
PA. '67 EX. 6042 SHEET 1 OF 2

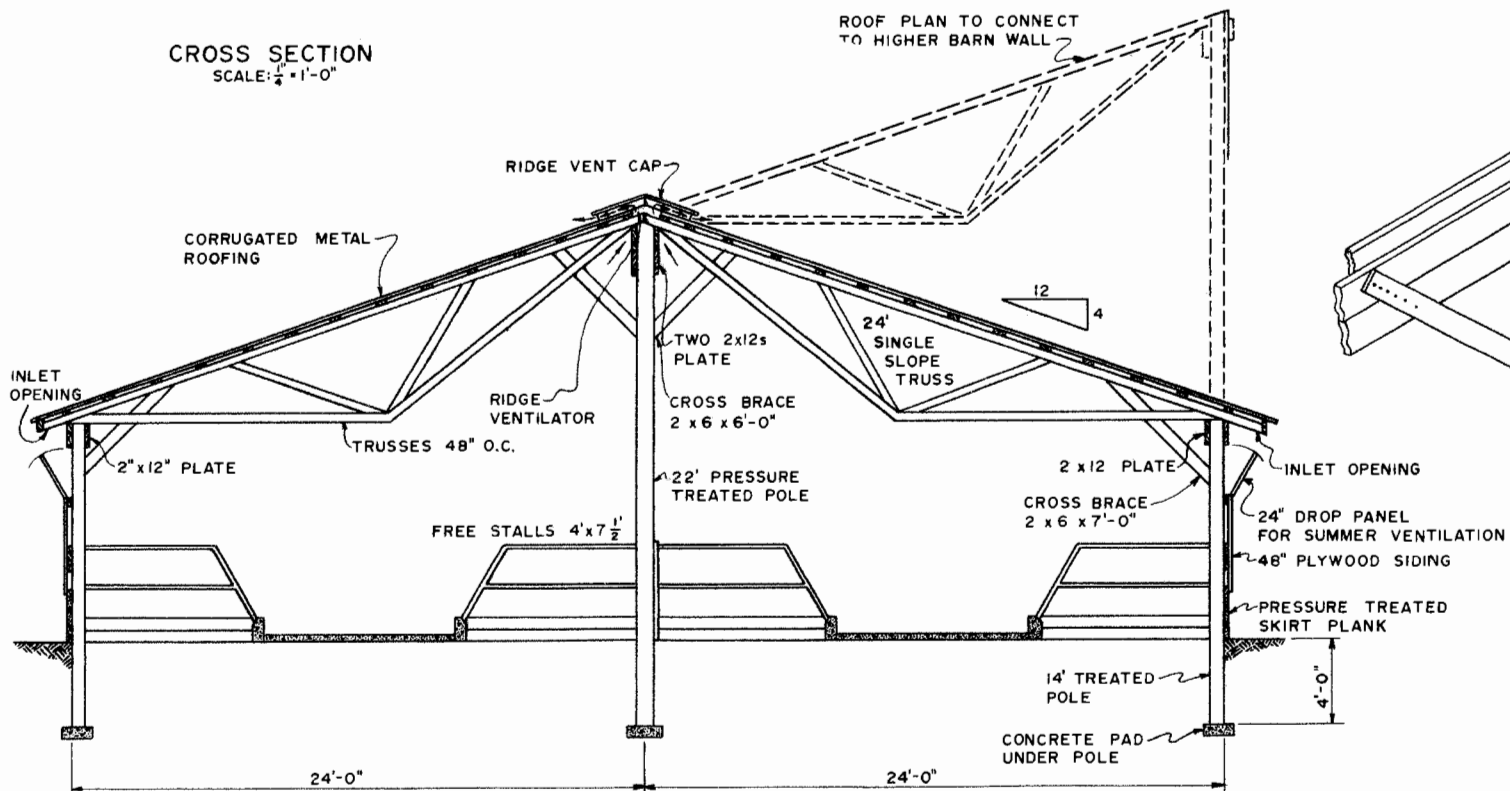


ALTERNATE ROOF PLAN  
SCALE:  $\frac{1}{4}'' = 1'-0''$

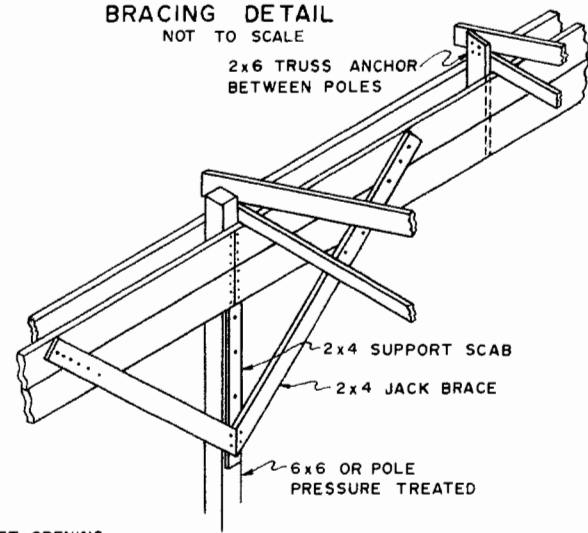


RIDGE VENT CAP  
DETAIL  
NOT TO SCALE

CROSS SECTION  
SCALE:  $\frac{1}{4}'' = 1'-0''$



BRACING DETAIL  
NOT TO SCALE



**LSU**  
**AgCenter**  
Research & Extension

FREE STALL BARN  
40 FEET AND 48 FEET WIDE

|         |          |              |
|---------|----------|--------------|
| PA. '67 | EX. 6042 | SHEET 2 OF 2 |
|---------|----------|--------------|

## Disclaimer

This site makes available conceptual plans that can be helpful in developing building layouts and selecting equipment for various agricultural applications. These plans do not necessarily represent the most current technology or construction codes. They are not construction plans and do not replace the need for competent design assistance in developing safe, legal and well-functioning agricultural building system. The LSU Agriculture Center, the Mid-West Plan Service, the United States Department of Agriculture and none of the cooperating land-grant universities warranty these plans.