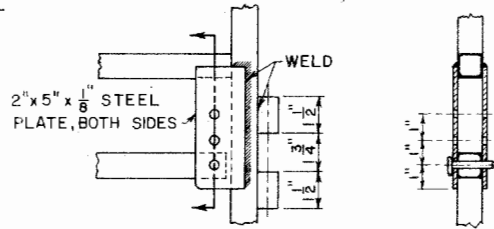
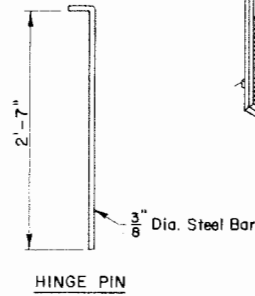
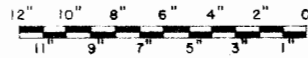


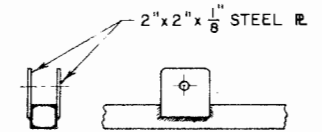
DETAIL "B"



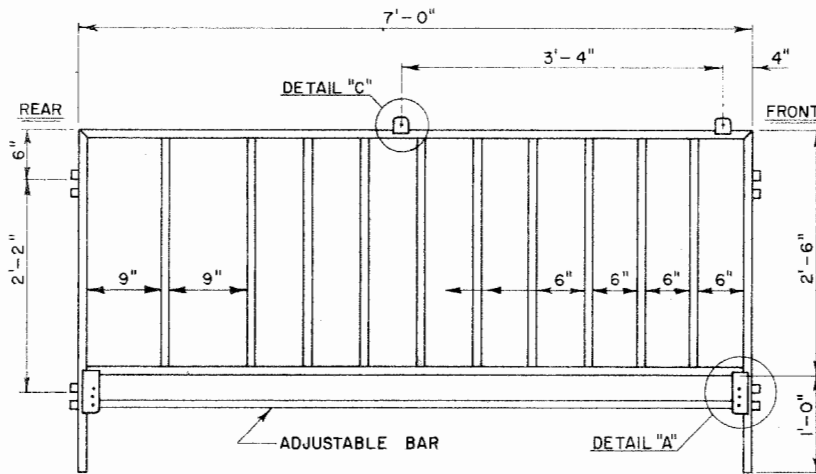
DETAIL "A"



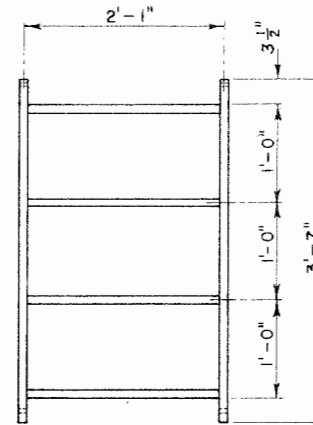
HINGE PIN



DETAIL "C"



SIDE PANEL



TOP PANEL (OPTIONAL)

BILL OF MATERIAL (Per Crate)	
ITEM	REQ'D
1" x 16 Ga. Sq. Tubing	160'
1/8" x 2" Flat Bar	5'
16 Ga. Sheet Steel	2' x 3'
1/2" Dia. Pipe	3'
3/8" Dia. Round Bar	12'
3/8" Dia. Clevis Pin	8

BASED ON: OKLA. STATE UNIV.  
PLAN NO. OK-726-23

NOTE:  
Unless Otherwise Noted All Material Used is  
1" Square Steel Tubing



FARROWING CRATE  
KNOCK DOWN TYPE

OK. '76 6243 SHEET 1 OF 1

## Disclaimer

This site makes available conceptual plans that can be helpful in developing building layouts and selecting equipment for various agricultural applications. These plans do not necessarily represent the most current technology or construction codes. They are not construction plans and do not replace the need for competent design assistance in developing safe, legal and well-functioning agricultural building system. The LSU Agriculture Center, the Mid-West Plan Service, the United States Department of Agriculture and none of the cooperating land-grant universities warranty these plans.