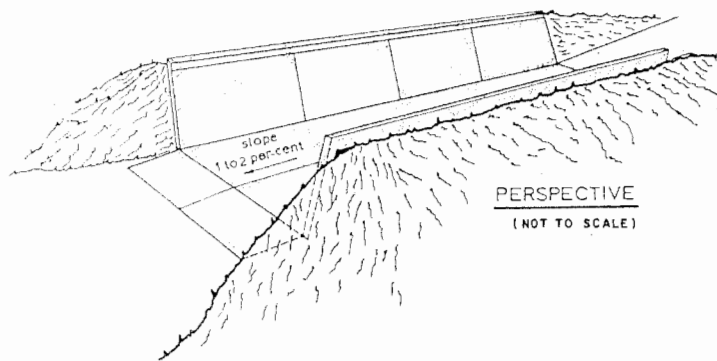
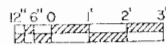


CROSS SECTION

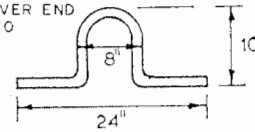
SCALE 3/8" = 1'-0"



BUNKER SILO CAPACITIES IN TONS/FOOT OF LENGTH

depth	width						
	20'	30'	40'	50'	60'	70'	80'
8'	35	5	6.5	8	10.0	11.3	13.0
10'	45	6.2	8.4	10.2	12.2	14.2	16.2
12'	55	7.5	10.0	12.3	14.6	17.0	20.0
14'	66	8.7	11.5	14.3	17.0	20.0	22.7
16'	75	10.0	13.1	16.3	20.0	22.7	26.0
18'	88	11.1	14.7	18.3	22.0	27.6	29.1

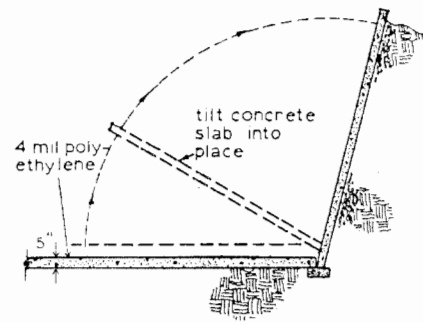
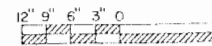
PANEL HT.	PANEL DIMENSION		SCHEDULE				WT.
	P _w	P _T	A	I _h	I _v		
8'-0"	7'-11"	3 1/2"	3"	1'-6"	2'-6"		2600
10'-0"	7'-11"	3 1/2"	3"	1'-6"	3'-0"		3200
12'-0"	7'-11"	5 1/2"	3"	1'-6"	3'-6"		6100
14'-0"	7'-11"	5 1/2"	3"	1'-6"	4'-0"		7200



LOOP FOR LIFTING

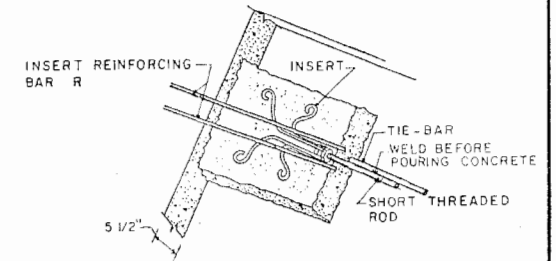
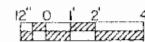
THE LIFTING LOOP IS FORMED FROM 3/4" DIAMETER X 3" LONG STEEL BARS.

SCALE 1" = 1'-0"



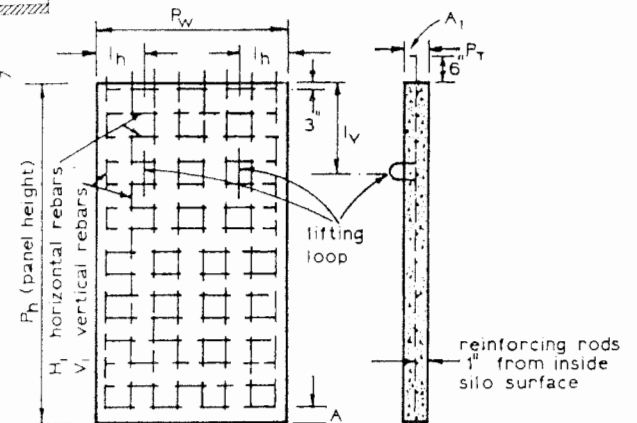
HALF SECTION DETAIL

SCALE 1/4" = 1'-0"



TIE BAR INSERT DETAIL

(NOT TO SCALE)

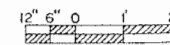
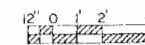


ELEVATION

SECTION

SCALE 1/4" = 1'-0"

SCALE 1/2" = 1'-0"



NOTES

- Capacity is based on 40 pounds per cubic foot.
- A daily use rate of 4" of silage is recommended in warm weather to keep silage fresh.
- The aggregate should contain 40% sand, 60% gravel; and not more than 6 gallons of water per sack of cement.
- Set grade so water will drain away from silo.

	PANEL REINFORCEMENT			SCHEDULE		
	8 FOOT	10 FOOT	12 FOOT	14 FOOT		
H _h	9	11	13	15	no. size	lgth.
V _v	8	8	8	8	no. size	lgth.
A ₁	2	2	2	2	no. size	lgth.



CONCRETE TRENCH SILO

SC 81 6347 SHEET 1 OF 1

Disclaimer

This site makes available conceptual plans that can be helpful in developing building layouts and selecting equipment for various agricultural applications. These plans do not necessarily represent the most current technology or construction codes. They are not construction plans and do not replace the need for competent design assistance in developing safe, legal and well-functioning agricultural building system. The LSU Agriculture Center, the Mid-West Plan Service, the United States Department of Agriculture and none of the cooperating land-grant universities warranty these plans.