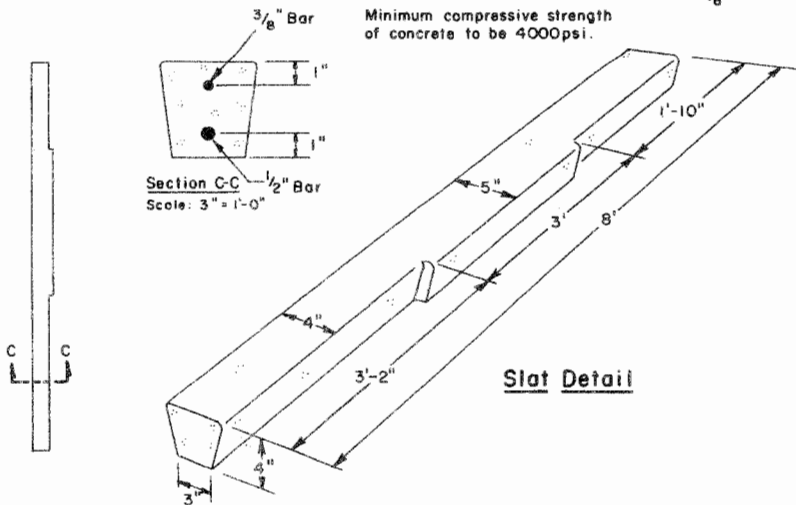


Floor Plan

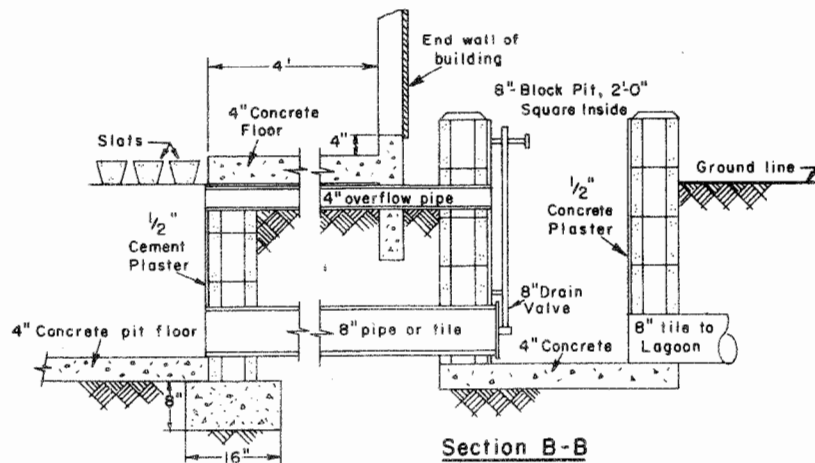
SCALE: $\frac{1}{8}'' = 1'-0''$

NOTE:

Minimum compressive strength of concrete to be 4000psi.

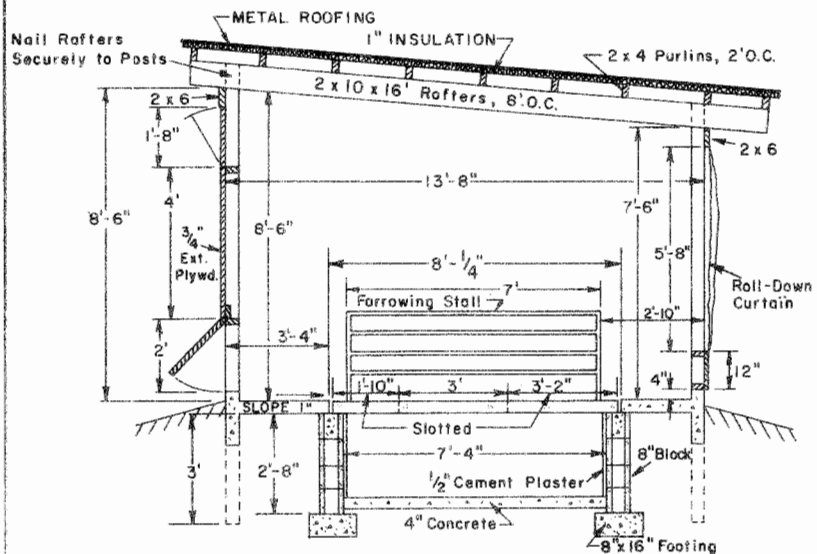


Slat Detail



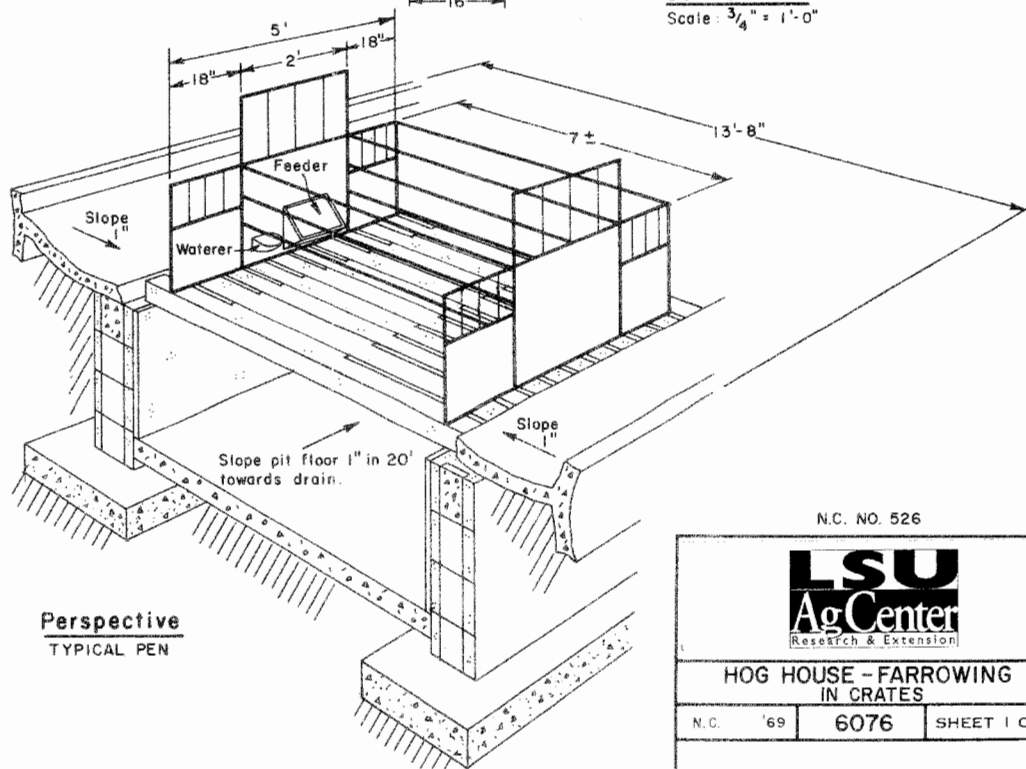
Section B-B

SCALE: $\frac{3}{4}'' = 1'-0''$



Section A-A

SCALE: $\frac{3}{8}'' = 1'-0''$



Perspective
TYPICAL PEN

N.C. NO. 526



HOG HOUSE - FARROWING IN CRATES

N.C. 69 6076 SHEET 1 OF 1

Disclaimer

This site makes available conceptual plans that can be helpful in developing building layouts and selecting equipment for various agricultural applications. These plans do not necessarily represent the most current technology or construction codes. They are not construction plans and do not replace the need for competent design assistance in developing safe, legal and well-functioning agricultural building system. The LSU Agriculture Center, the Mid-West Plan Service, the United States Department of Agriculture and none of the cooperating land-grant universities warranty these plans.