

PERSPECTIVE



GESTATION/FINISHING FLOOR

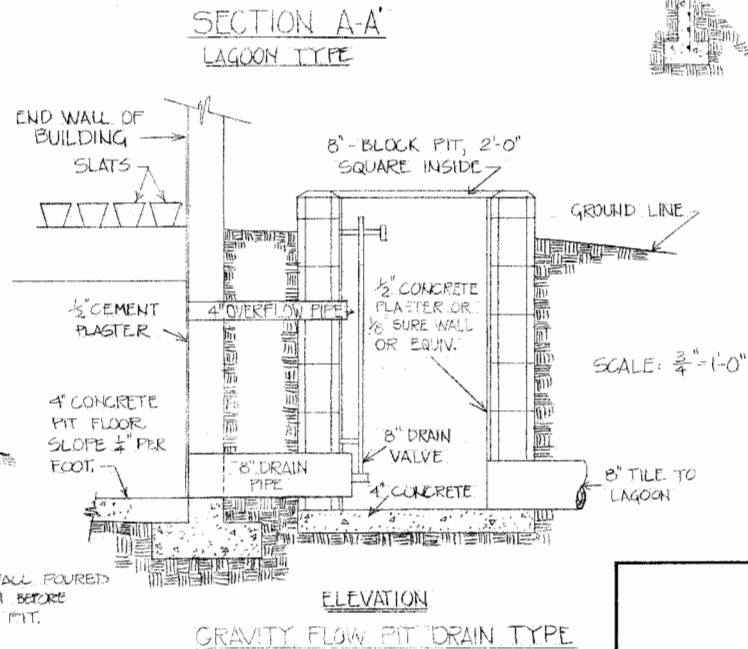
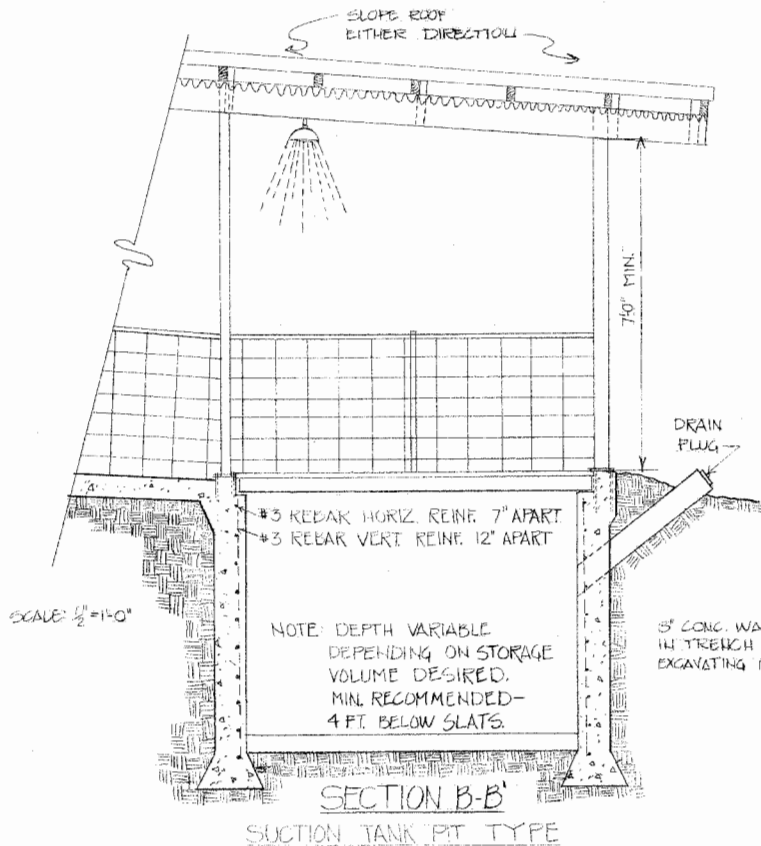
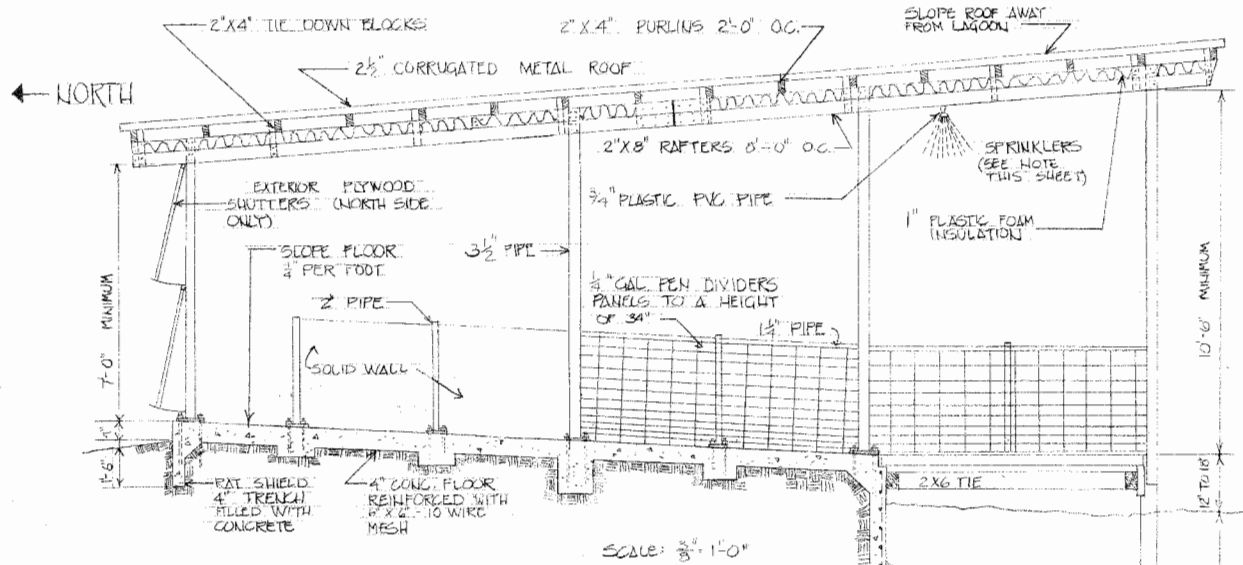
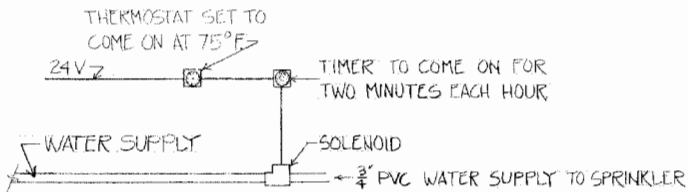
ENGINEER JWB	SCALE
DRAWN BY KEM	SHEET 1 OF 5
TRACED BY	DATE 6/80 NO. 52.0

NOTES:

LAGOON VOLUME RECOMMENDATIONS VARY. CHECK WITH COUNTY AGENT BEFORE CONSTRUCTION.

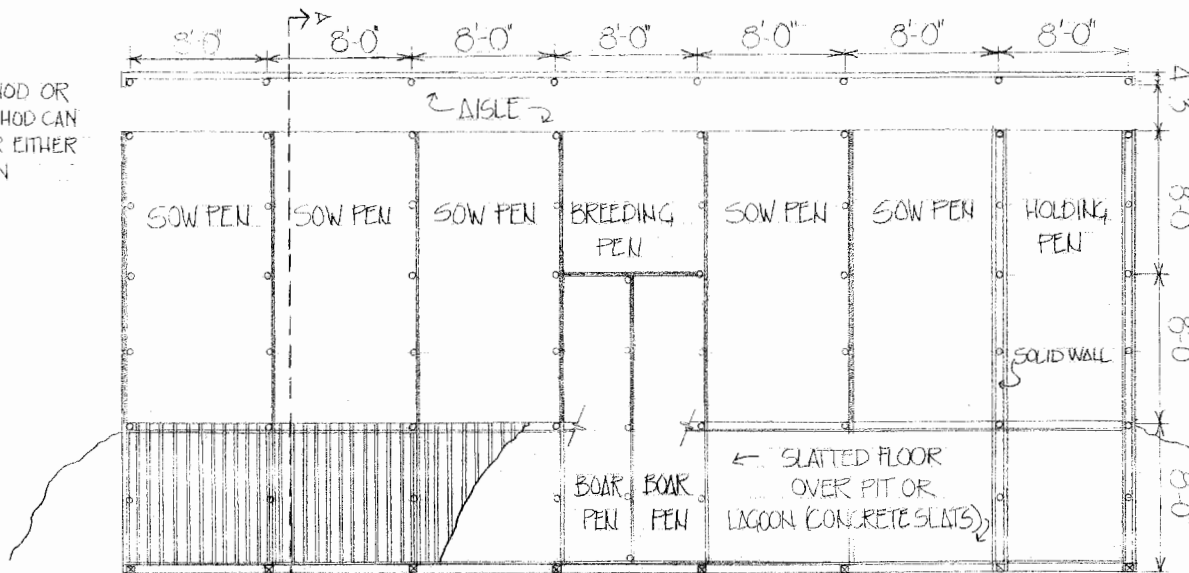
PEN DIVIDERS TO BE WELDED OR BOLTED TO PIPE COLUMNS.

SELECT NOZZLE TO COVER 3/4 WIDTH OF PEN WITH SOLID CONE OF DROPLETS TO ACTUALLY WET THE ANIMAL. HOT FOG OR MIST. USE 12 GALLONS PER MINUTE FOR 25 PIGS. (SEE DIAGRAM)



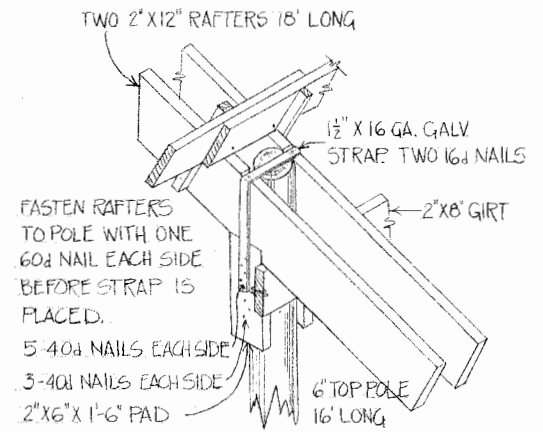
LSU AgCenter <small>Research & Extension</small>	
GESTATION / FINISHING FLOOR	
ENGINEER JW8	SCALE AS SHOWN
DRAWN BY KEM	SHEET 2 OF 5
TRACED BY	DATE 6/80 NO. 52-B

NOTE: PIT METHOD OR LAGOON METHOD CAN BE USED FOR EITHER PLAN SHOWN



PLAN
GESTATION AND BREEDING

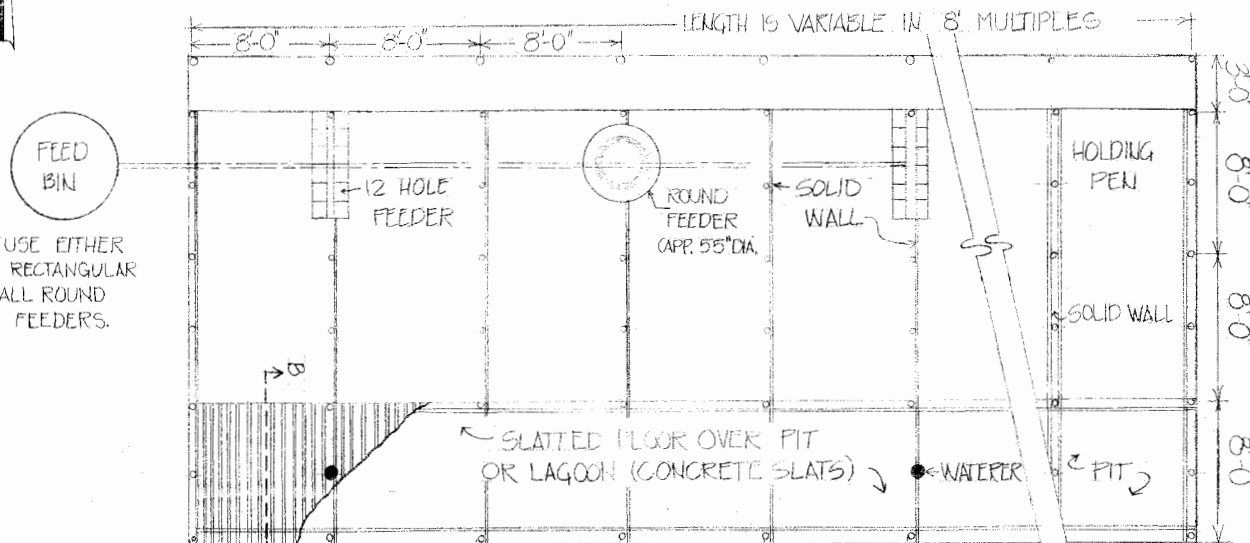
SCALE: $\frac{3}{16}'' = 1'-0''$



ALTERNATE ROOFING DETAIL

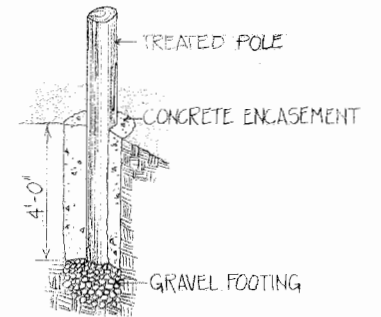
SCALE: $\frac{3}{4}'' = 1'-0''$

NOTE: USE EITHER ALL RECTANGULAR OR ALL ROUND HOG FEEDERS.



PLAN
FINISHING FLOOR

SCALE: $\frac{3}{16}'' = 1'-0''$

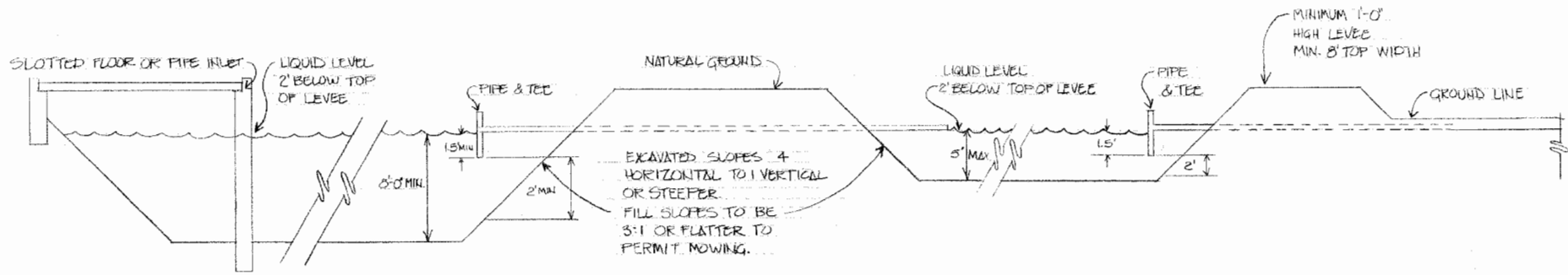


FOOTING DETAIL



GESTATION/FINISHING FLOOR

ENGINEER JWB	SCALE AS SHOWN
DRAWN BY KEM	SHEET 3 OF 5
TRACED BY	DATE 6/80 NO. 52-B



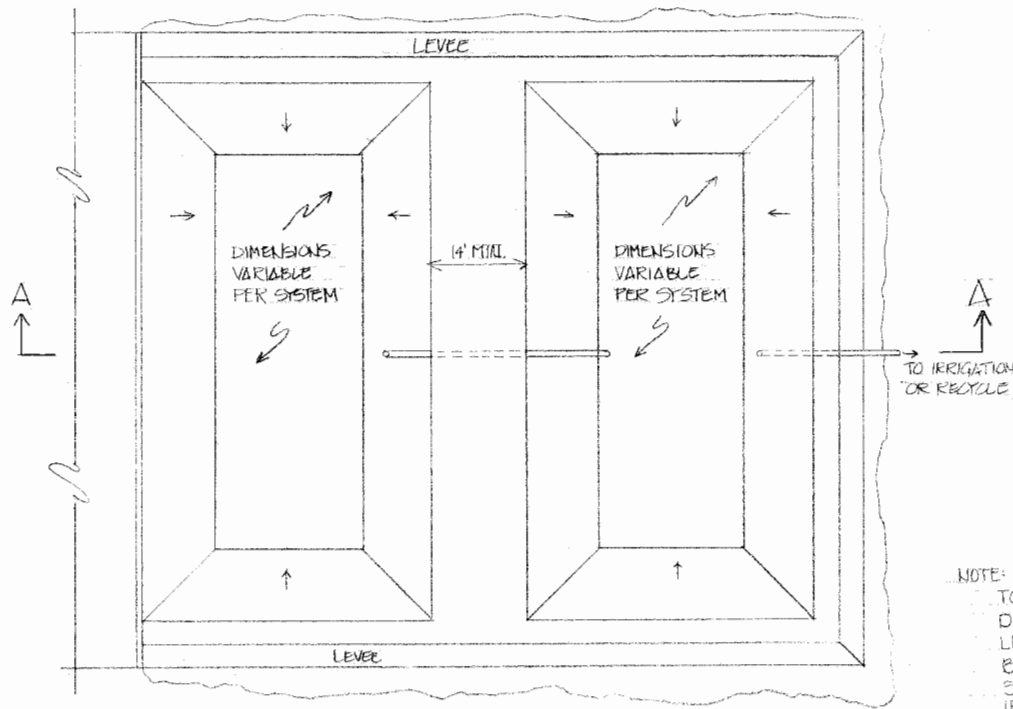
PRIMARY LAGOON
(ANAEROBIC)

SECONDARY LAGOON
(AEROBIC)

SECTION "A-A"
(NOT TO SCALE)

DESIGN VALUES FOR ANIMAL WASTE TREATMENT LAGOON

ANIMAL	CONFINEMENT SYSTEM	ANAEROBIC LAGOON LOAD RATE CU. FT./ANIMAL	AEROBIC LAGOON LOAD RATE SQ. FT./ANIMAL
SWINE	FEEDER (PER ANIMAL)	FEED OUT FACILITY SMALL PIGS BROUGHT INTO FACILITY AND FED TO A WEIGHT OF 200 TO 225 LBS. AND SOLD	
		A. SLATTED B. NON-SLATTED	130 130
FARROWING (PER CRATE)	FARROWING INSTALLATION WITH SOW AND PIGLETS	400	55
NURSERY (PER FIG)	NURSERY INSTALLATION	50	7
BREEDER (PER SOW)	GESTATION FACILITY	200	31



NOTE: LAGOON SYSTEM TO BE ENCLOSED BY FENCE

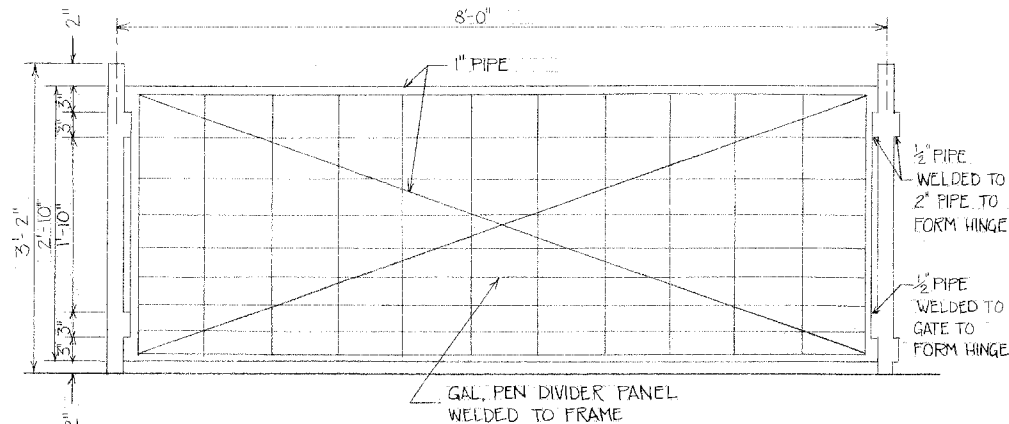
PLAN
(NOT TO SCALE)

NOTE:
TO AVOID OVERFLOW AND RUN OFF DURING RAINY SEASON, LIQUID LEVEL IN AEROBIC POND SHOULD BE LOWERED 1½ - 2' DURING SUMMER. USE WATER FOR IRRIGATION OF CROPS, PASTURE, WOODS LOT, ETC.

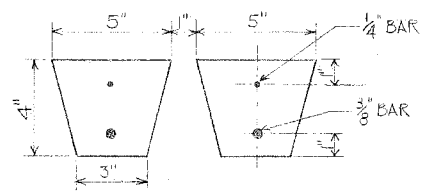
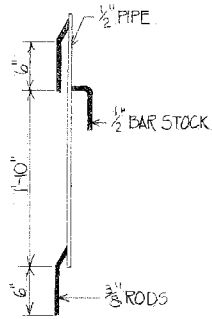


GESTATION/FINISHING FLOOR

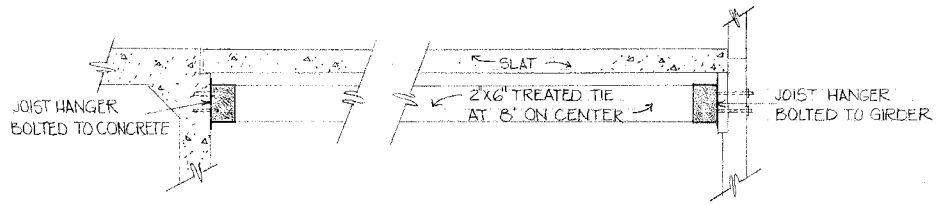
ENGINEER JWB	SCALE NO SCALE
DRAWN BY KEM	SHEET 4 OF 5
TRACED BY	DATE 6/80 NO. 52-B



GATE & POLE DETAIL (OPEN BOTH ENDS)
SCALE: 1" = 1'-0"

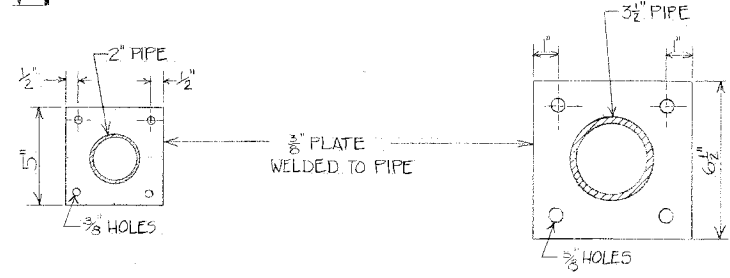


CONCRETE SLAT DETAIL
SCALE: 4" = 1'-0"

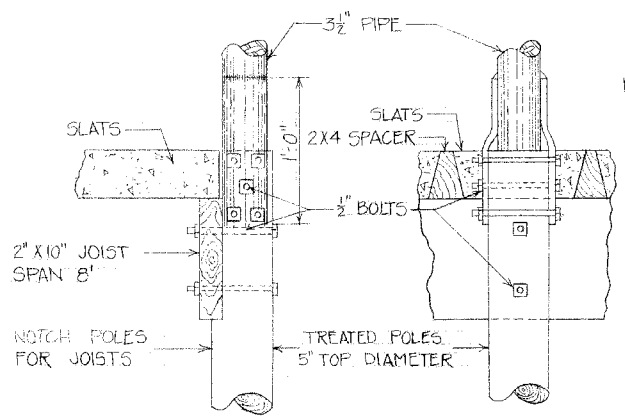


LAGOON TIE DETAIL

SCALE: 3/4" = 1'-0"

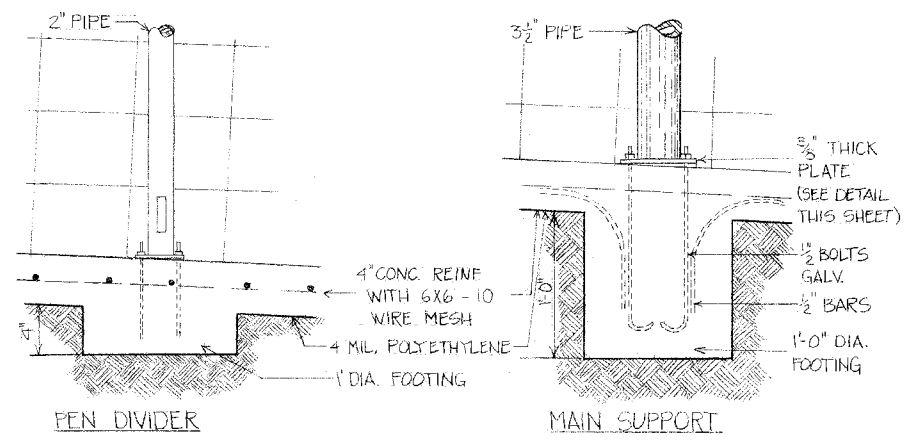


BOLTING PLATE DETAILS
3" = 1'-0"



END POLE DETAILS OVER LAGOON
SCALE: 1 1/2" = 1'-0"

NOTE:
IF TREATED TIMBER IS EXTENDED TO ROOF, PEN DIVIDERS SHOULD BE PUT ON INSIDE OF WOOD.



POST DETAILS
SCALE: 1 1/2" = 1'-0"

LSU AgCenter <small>Research & Extension</small>	
GESTATION/FINISHING FLOOR	
ENGINEER JWB	SCALE AS SHOWN
DRAWN BY KEM	SHEET 5 OF 5
TRACED BY	DATE 6/80 NO. 52-B

Disclaimer

This site makes available conceptual plans that can be helpful in developing building layouts and selecting equipment for various agricultural applications. These plans do not necessarily represent the most current technology or construction codes. They are not construction plans and do not replace the need for competent design assistance in developing safe, legal and well-functioning agricultural building system. The LSU Agriculture Center, the Mid-West Plan Service, the United States Department of Agriculture and none of the cooperating land-grant universities warranty these plans.