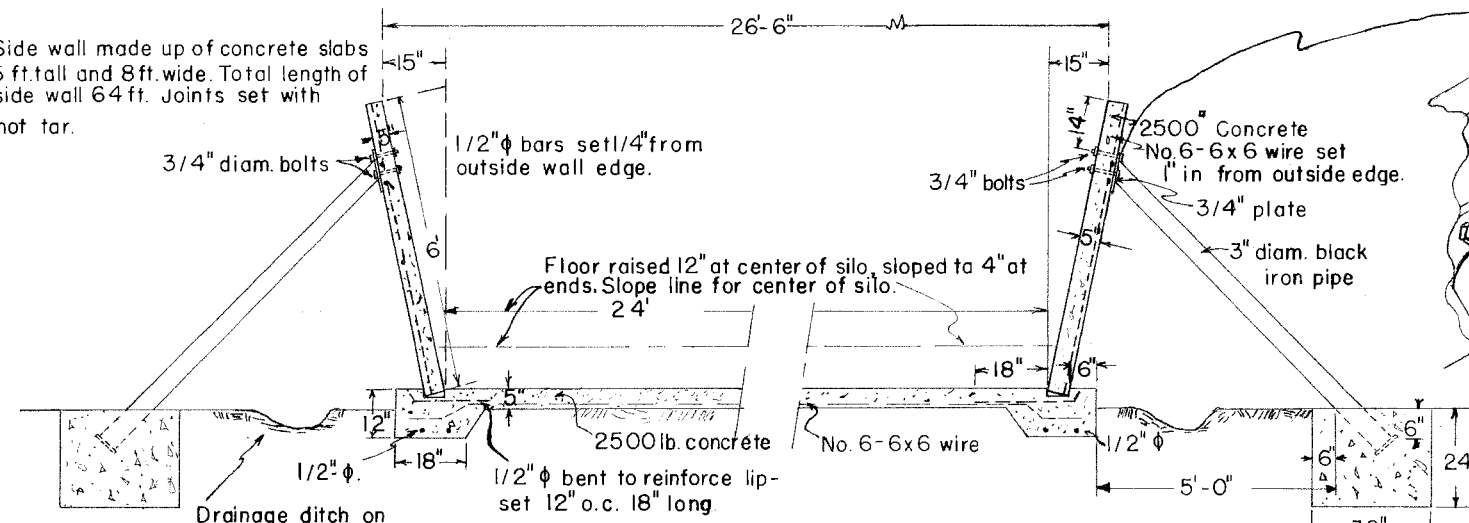
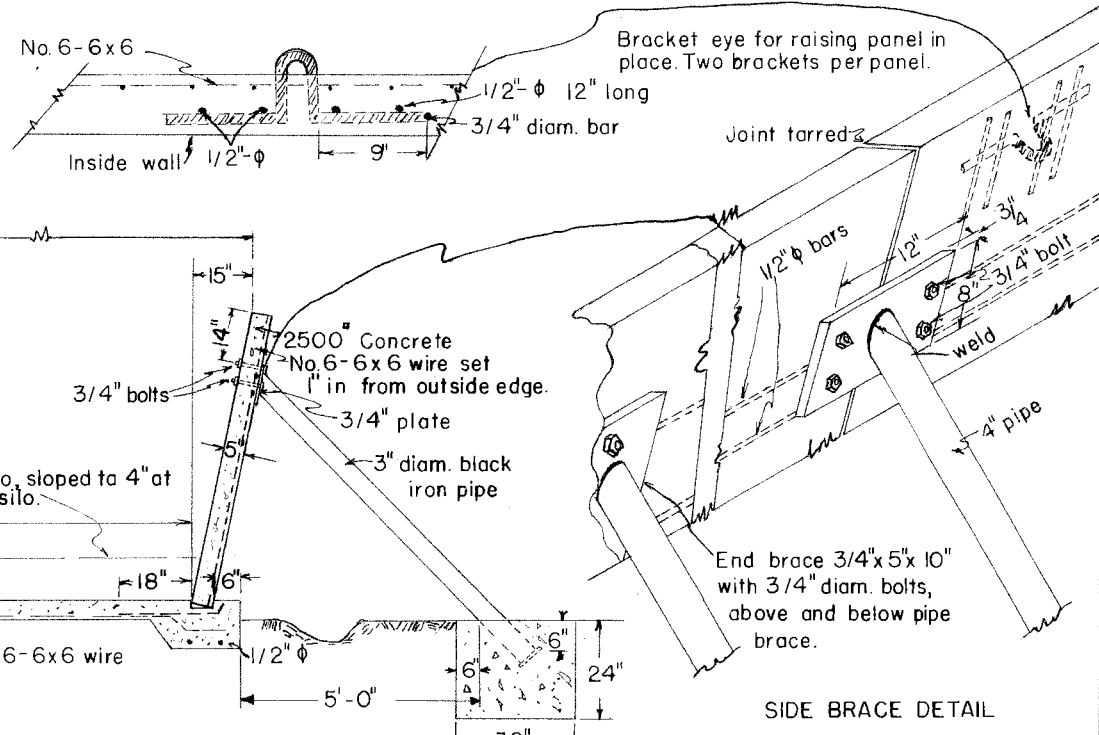


Side wall made up of concrete slabs 6 ft. tall and 8 ft. wide. Total length of side wall 64 ft. Joints set with hot tar.

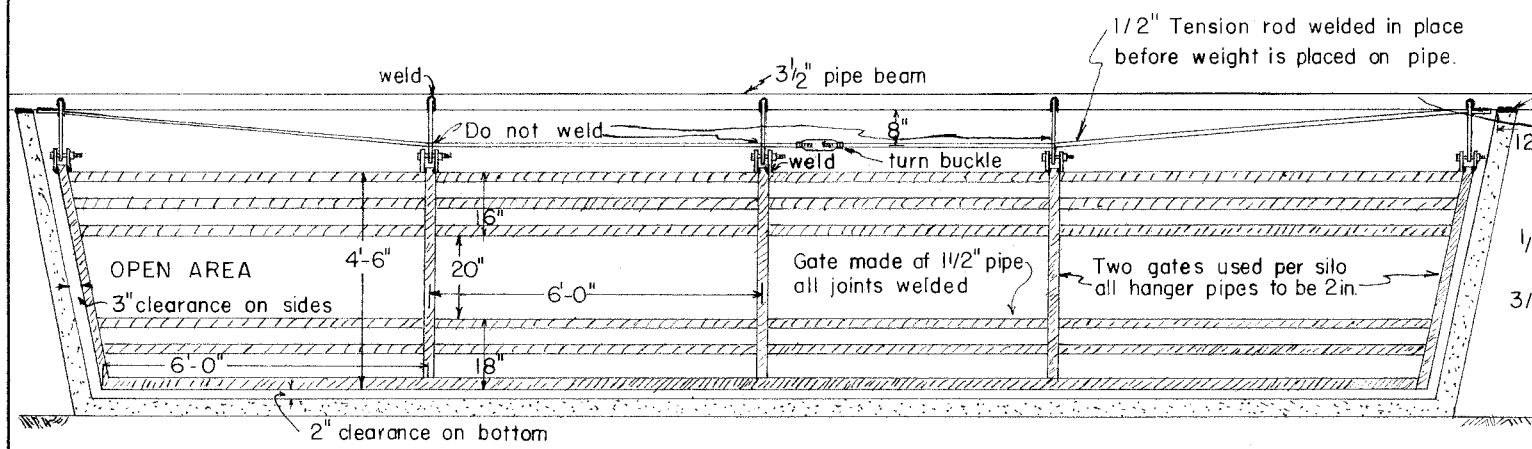


CROSS SECTION of CONCRETE SILO scale 1/2"=1'

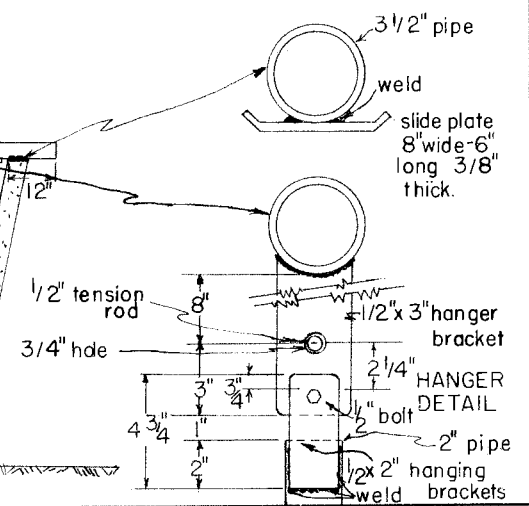


SIDE BRACE DETAIL

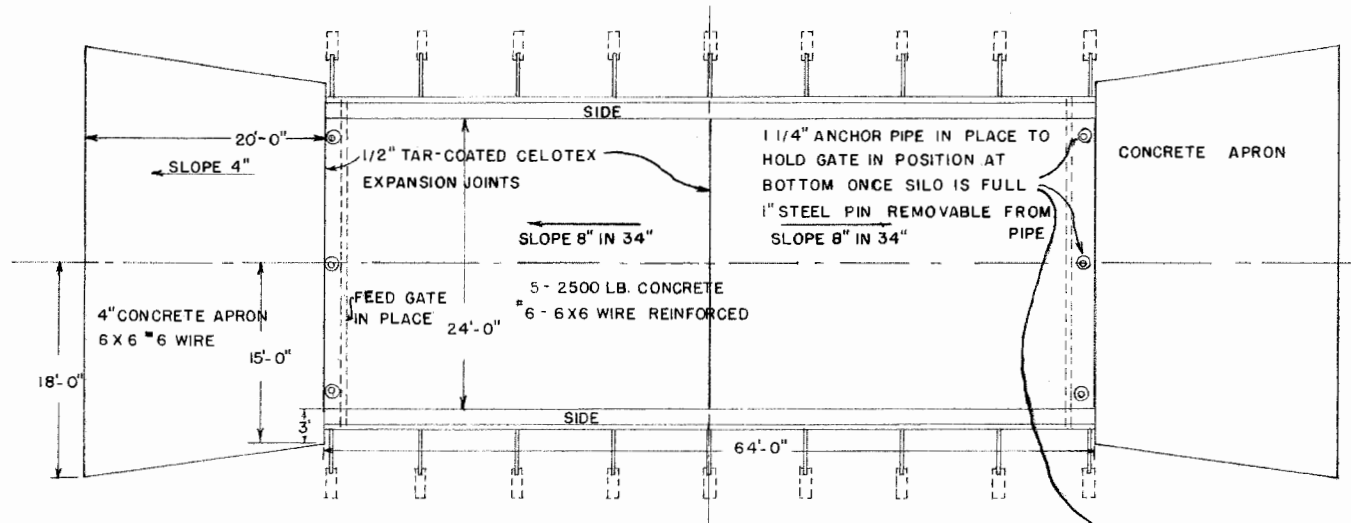
See detail on sheet 2.



ALL METAL SELF-FEEDING GATE AND WITH PIPE SUPPORT & BRACKETS



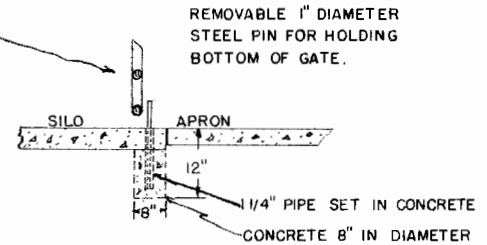
ENGINEER W.D. POOLE AG. EXP. STA.		SCALE As Shown
DRAWN BY		SHEET 1 OF 2
TRACED BY G.N.W.		DATE 11-12-58 NO. 78-8



SIZE ——— 11360 Cu. Ft.  
 CAPACITY — 2.27 Tons  
 BASED ON 40 LBS./CU. FT.  
 OF SILAGE

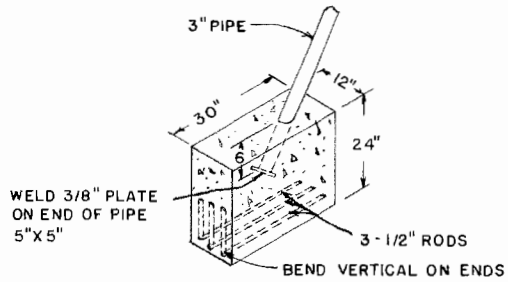
PLANE VIEW OF SILO

SCALE 1/8" = 1'-0"

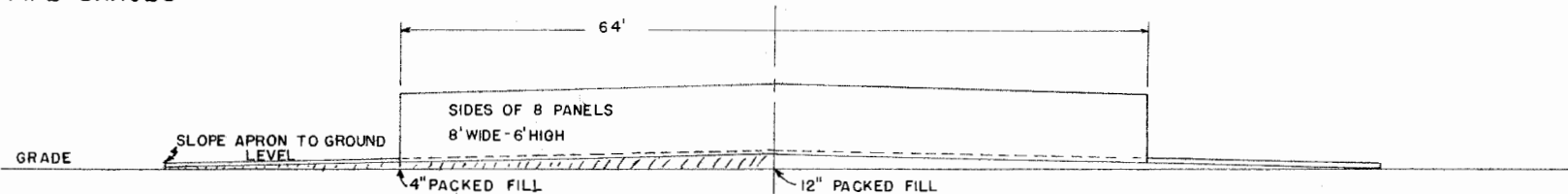


DETAIL OF ANCHOR  
 PINS FOR GATE

SCALE 1/2" = 1'-0"



ANCHOR FOR SIDE  
 PIPE BRACES



SIDE VIEW OF SILO

SCALE 1/8" = 1'-0"

NOTE: SILO MUST BE ON  
 WELL-DRAINED SITE



ABOVE GROUND CONCRETE  
 SELF-FEEDING SILO

ENGINEER	W.D. POOLE AG. EXP. STA.	SCALE	AS SHOWN
DRAWN BY		SHEET	2 OF 2
TRACED BY	G.N.W.	DATE	11-17-58 NO. 78-8

## Disclaimer

This site makes available conceptual plans that can be helpful in developing building layouts and selecting equipment for various agricultural applications. These plans do not necessarily represent the most current technology or construction codes. They are not construction plans and do not replace the need for competent design assistance in developing safe, legal and well-functioning agricultural building system. The LSU Agriculture Center, the Mid-West Plan Service, the United States Department of Agriculture and none of the cooperating land-grant universities warranty these plans.