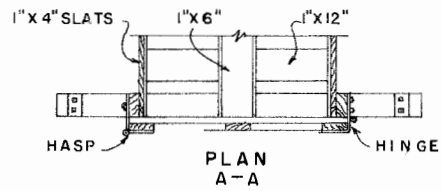
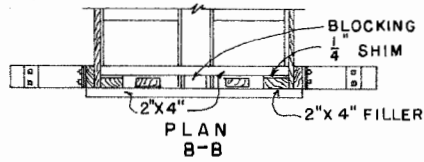


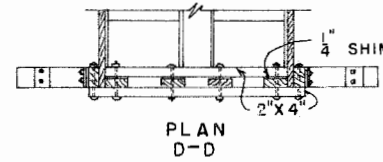
PERSPECTIVE



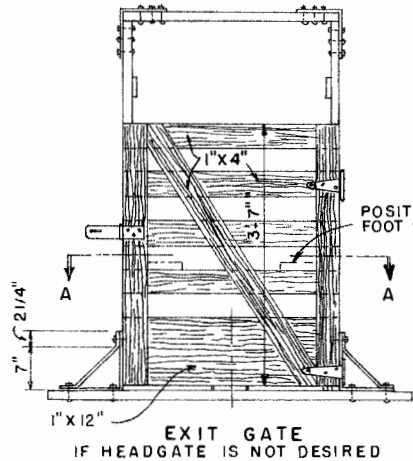
PLAN A-A



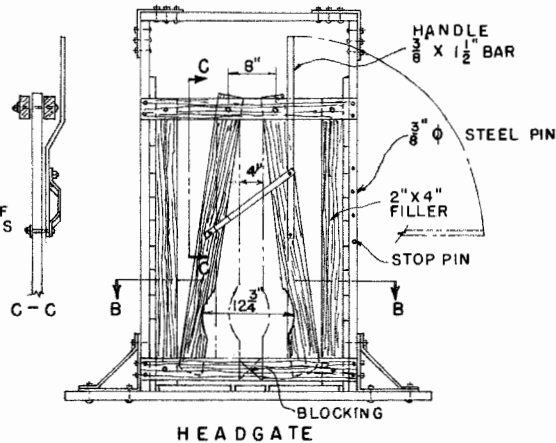
PLAN B-B



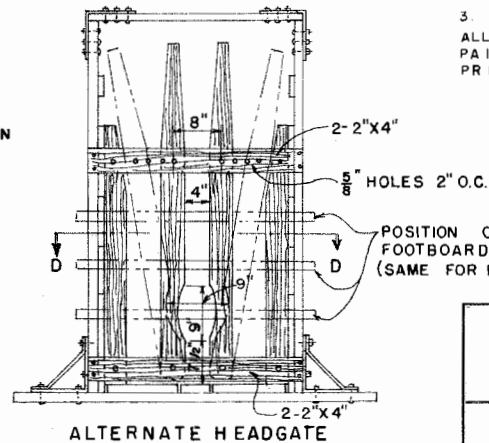
PLAN D-D



EXIT GATE IF HEADGATE IS NOT DESIRED



HEADGATE



ALTERNATE HEADGATE

GATE DETAILS  
SCALE 3/8" = 1'-0"

BILL OF MATERIALS FOR CRATE AND EXIT GATE ONLY.

LUMBER

QUANTITY	SIZE	USE
1	2" x 4" x 10'-0"	BASE
1	2" x 4" x 8'-0"	BASE
1	2" x 4" x 12'-0"	POST
2	2" x 4" x 10'-0"	POST
1	2" x 4" x 6'-0"	TIES
1	1" x 12" x 16'-0"	SIDES & GATE FLOOR
2	1" x 12" x 10'-0"	FLOOR
1	1" x 6" x 10'-0"	FLOOR
2	1" x 4" x 14'-0"	SLATS (VERT.)
6	1" x 4" x 12'-0"	SLATS (HORZ.)
1	1" x 4" x 12'-0"	GATE BATTENS
1	1" x 2" x 14'-0"	CLEATS
2	1" x 2" x 10'-0"	CLEATS
2	2" x 6" x 10'-0"	(FOOTBOARDS)

MISCELLANEOUS

24	3/8" x 3 1/2"	BOLTS, NUTS & ETC.
48	3/8" x 2 1/2"	BOLTS, NUTS & ETC.
6	ANGLES 1/4" x 3 1/2" - 9 1/2"	LEGS
6	BRACES 1/4" x 3 1/2" - 14"	BENT ENDS
4	ANGLES 1/4" x 2 1/2" - 8"	LEGS
1	PAIR 8" T HINGES	
1	HASP AND STAPLE	
3	LBS. 6d COMMON NAILS	

USE OF BREEDING CRATE

SUPPORT BOAR ON TWO 2"X6" FOOTBOARDS WITH FRONT ENDS RESTING ON CLEATED GATE AND REAR ENDS ON CLEATED FLOOR, ADJUST HEIGHT TO SUIT; THEN INSERT A 2"X4" BAR THRU SLATS AND UNDER 2"X6" FOOTBOARDS.

CAUTION SHOULD BE USED TO PREVENT CRACKING ANIMALS JAW WITH HEADGATE.

NOTE:

- USE CARRIAGE BOLTS WHEREVER PRACTICABLE. ROUNDED HEAD SIDE TOWARDS ANIMAL TO PREVENT INJURY.
- ALL LUMBER IN CONTACT WITH EARTH SHOULD BE PRESSURE TREATED WITH CREOSOTE OR SIMILAR PRESERVATIVE. ALL OTHER LUMBER TO BE PAINTED WITH WOOD PRESERVATIVE.
- ALL METAL TO BE GALVANIZED OR PAINTED WITH A METAL PRESERVATIVE.



BREEDING CRATE FOR HOGS

ENGINEER	SCALE AS SHOWN
DRAWN BY USDA '54	SHEET 1 OF 1
TRACED BY GNW	DATE 2/2/59 NO. 5783

## Disclaimer

This site makes available conceptual plans that can be helpful in developing building layouts and selecting equipment for various agricultural applications. These plans do not necessarily represent the most current technology or construction codes. They are not construction plans and do not replace the need for competent design assistance in developing safe, legal and well-functioning agricultural building system. The LSU Agriculture Center, the Mid-West Plan Service, the United States Department of Agriculture and none of the cooperating land-grant universities warranty these plans.